

*Innovation *Quality *Service

ABOUT SUNS INTERNATIONAL

For over 25 years, SUNS has been delivering world-class electromechanical and electronic components to customers around the globe. We offer an extensive line of products critical to your application. Our focus revolves around our customers receiving precise and reliable components at the most competitive price. Our manufacturing facilities are compliant under ISO9001:2008 and all of our products are certified by UL, CSA, CE and CCC standards

A leading manufacturer of high quality industrial control components

As an established member in the industry, SUNS is relentless in its drive to manufacture products that are more reliable, more efficient, and more cost effective. Our offering ranges from the widest variety in limit and micro switches to industrial control products such as push buttons, foot switches, and pendant stations. Your total satisfaction is our goal. Whether the product is large or small, our team will undertake the customizations needed to produce even the most complex solutions.

Robotics



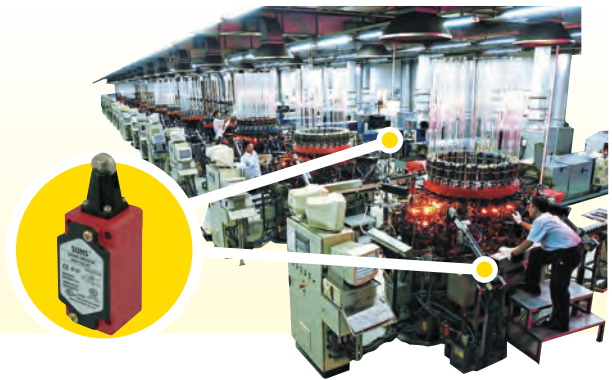
Stereoscopic Warehouses

SUNS is the right choice for your applications.

<i>GLOBAL STYLE SAFETY LIMIT SWITCHES (METAL BODIED EN50041 TYPE)</i> SN6 SERIES (SINGLE CONDUIT ENTRY)	1
<i>GLOBAL STYLE SAFETY LIMIT SWITCHES (METAL BODIED EN50041 COMPATIBLE)</i> SN63 SERIES (3 - CONDUIT ENTRY)	11
<i>GLOBAL STYLE SAFETY LIMIT SWITCHES (PLASTIC BODIED EN50041 TYPE)</i> SND6 SERIES (SINGLE CONDUIT ENTRY)	17
<i>GLOBAL STYLE SAFETY LIMIT SWITCHES (MINI PLASTIC BODIED EN50047 TYPE)</i> SMN SERIES (SINGLE CONDUIT ENTRY)	25
<i>GLOBAL STYLE SAFETY LIMIT SWITCHES (MINI PLASTIC BODIED EN50047 TYPE)</i> SMN4 SERIES (SINGLE CONDUIT ENTRY)	27
<i>GLOBAL STYLE SAFETY LIMIT SWITCHES (PLASTIC BODIED EN50047 TYPE)</i> SND4 SERIES (SINGLE CONDUIT ENTRY)	31
<i>GLOBAL STYLE SAFETY LIMIT SWITCHES (METAL BODIED EN50047 TYPE)</i> DT4 CONNECTOR LIMIT SWITCHES SN(D)4 SN(D)6 SERIES	40
<i>GLOBAL STYLE SAFETY LIMIT SWITCHES (METAL BODIED EN50047 TYPE)</i> SN4 SERIES (SINGLE CONDUIT ENTRY)	42
<i>GLOBAL STYLE SAFETY LIMIT SWITCHES (PLASTIC BODIED EN50047 COMPATIBLE)</i> SND2 SERIES (2 - CONDUIT ENTRIES)	49
<i>GLOBAL STYLE SAFETY LIMIT SWITCHES (METAL BODIED EN50047 COMPATIBLE)</i> SN2 SERIES (3 - CONDUIT ENTRIES)	55
<i>COMPACT LIMIT SWITCHES (IP67 WATER-PROOF)</i> SN31 SERIES (20mm) AND SN32 SERIES (25mm)	62
<i>COMPACT SAFETY LIMIT SWITCHES (MODULAR DESIGN, METAL BODY, IP67)</i> SM31 SERIES (20mm) AND SM32 SERIES (25mm)	73
<i>COMPACT SAFETY LIMIT SWITCHES (MODULAR DESIGN, PLASTIC BODY, IP67)</i> SM31N SERIES (20mm) AND SM32N SERIES (25mm)	80
<i>COMPACT LIMIT SWITCHES: AZ-8 SERIES</i>	87
<i>METAL BODIED SAFETY LIMIT SWITCHES SN62 SERIES</i>	89
<i>COMPACT LIMIT SWITCHES SN5 SERIES</i>	94
<i>COMPACT LIMIT SWITCHES SMN5 SERIES</i>	96
<i>SN1 SERIES COMPACT PRECISION LIMIT SWITCHES</i>	100
<i>MINI ENCLOSED LIMIT SWITCHES SN7 SERIES</i>	102
<i>ENCLOSED LIMIT SWITCHES SN9 SERIES</i>	106
<i>ENCLOSED LIMIT SWITCHES SF9 SERIES</i>	112
<i>ENCLOSED LIMIT SWITCHES SP9 SERIES</i>	114
<i>SNH SERIES LIMIT SWITCHES FOR HOISTING AND MECHANICAL HANDLING</i>	116
<i>SNB SERIES LIMIT SWITCHES FOR HOISTING AND MECHANICAL HANDLING</i>	121
<i>CABLE PULL SAFETY SWITCHES</i>	124
<i>INTERLOCKING SAFETY SWITCHES</i>	137
<i>MULTI-ENTRY TRAPPED KEY-OPERATED SAFETY INTERLOCK SWITCH SS6/SSD6 SERIES</i>	143
<i>SAFETY SWITCHES FOR HINGES LIDS/GUARDS</i>	147
<i>MP Series Magnetic Safety Switches (IP68)</i>	149
<i>RDS SERIES RFID NON-CONTACT SAFETY SWITCH</i>	156
<i>LIMIT SWITCHES WITH MANUAL RESET FOR OVER-SPEED DEVICES</i>	157
<i>LATCHING LIMIT SWITCH WITH REMOTE RESET</i>	159
<i>6098 LIMIT SWITCHES FOR ELEVATOR APPLICATIONS</i>	161
<i>DOOR CONTACT EDC SERIES</i>	162
<i>HMS/HLS/HES/HEX/HCX SERIES HEAVY DUTY LIMIT SWITCHES</i>	165

GLOBAL STYLE SAFETY LIMIT SWITCHES (Metal Bodied EN50041 TYPE) SN6 SERIES (SINGLE CONDUIT ENTRY)

For almost two decades SUNS has been delivering stand-alone solutions that offer value and field tested reliability to customers.



Features

- Zinc die cast body
- Increased wiring space
- Earth grounding surface on same level as switching
- Easily interchangeable contact block
- Fine adjustment of switching point via adjusting screw
- Galvanically separated contacts
- Screw terminals with self-lifting clamps for easy wiring
- Positive Opening of NC contacts
- 4 x 90° actuator positions
- Cable entry available: M20, PG13.5 and 1/2"NPT
- Conform to EN 50041 standard

Definitions of Operating Characteristics

- OF Operating Force
- RF Releasing Force
- OT Overtravel
- TT Total Travel
- PT Pretravel
- MD Movement Differential
- OP Operating Position
- PO Travel to Positive Opening



Specifications

Operating Speed	0.05mm-2m/sec
Operating Frequency	Mechanical: 120ops/min Electrical: 30 ops/min
Insulation Resistance	>100MΩ@500V DC
Contact Resistance	<25mΩ (initial value)
Rated Thermal Current	10A/600V AC (EN60947-5-1) UL/cUL Listed (E216958) AC15 A600 / DC13 Q300
Dielectric Strength	1000VAC for 1 min between current carrying parts 2500VAC for 1 min between non-current carrying parts
Service Life	Mechanically 1 x 10 ⁷ (operations) Electrically 5 x 10 ⁵ (operations)
Operating Temperature	-25~+80°C (-13~176°F) with no icing
Humidity	< 95%
Weight	400-480g for metal body
Degree of Protection	IP67

Selection Guide:

SN61
Body Styles

04
Head Styles

SP
Contact Block

- SP: 1NO/1NC Snap action
- SPT: 2NO/2NC Snap action
- SL: BBM 1NO/1NC Slow Action changeover
- SL1: MBB 1NO/1NC Slow Action Overlapping
- SL2: 2NC Slow Action
- SL3: 2NO Slow Action
- SL4: 3NC Slow Action
- SL5: 3NO Slow Action
- SL6: BBM 2NC/1NO Slow Action changeover
- SL7: MBB 2NC/1NO Slow Action Overlapping
- SL8: BBM 2NO/1NC Slow Action changeover
- SL9: MBB 2NO/1NC Slow Action Overlapping

C

Conduits

- A: 1/2"NPT
- B: PG13.5
- C: M20

R

Blank

R: with Reset

(AB)

Aluminum alloy swing arm

24R

LED Indicator Light (Optional)

GLOBAL STYLE SAFETY LIMIT SWITCHES (Metal Bodied EN50041 TYPE) SN6 SERIES (SINGLE CONDUIT ENTRY)

Available contact blocks and travel diagrams



Plunger type
11,12 Styles

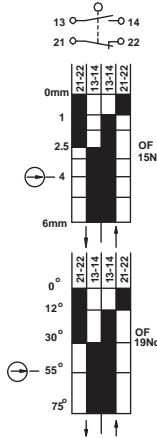
Side rotary type
04, 07, 08, 14, 18 Styles

72, 73 Styles

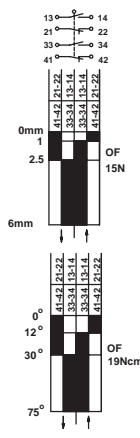
05 Styles

00, 66, 69 Styles

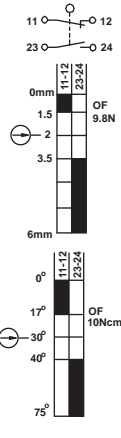
SP
1NO/1NC
Snap Action



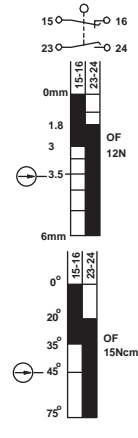
SPT
2NO/2NC
Snap Action



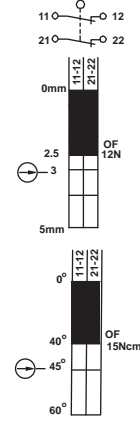
SL
1NO/1NC
Slow Action
(Changeover)



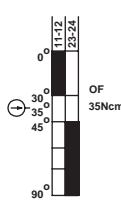
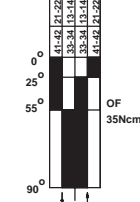
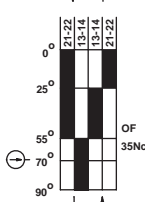
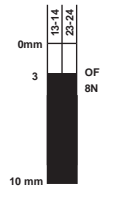
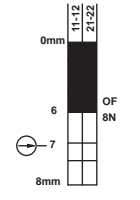
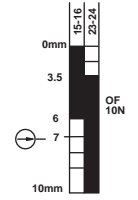
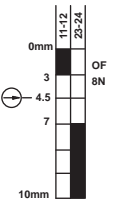
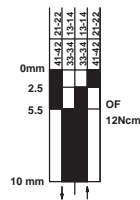
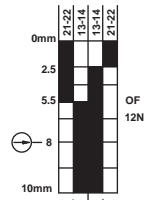
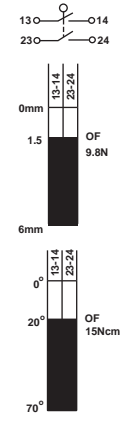
SL1
1NO/1NC
Slow Action
(Overlapping)



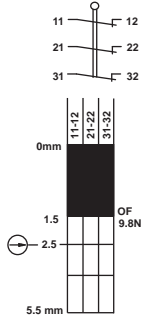
SL2
2NC
Slow Action



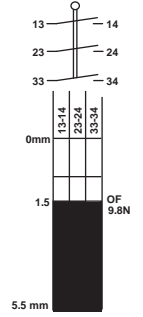
SL3
2NO
Slow Action



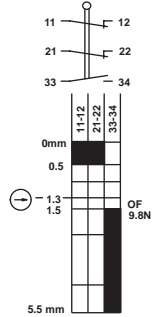
SL4
3NC
Slow Action



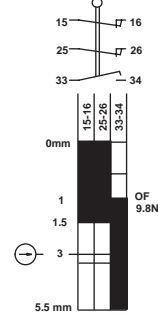
SL5
3NO
Slow Action



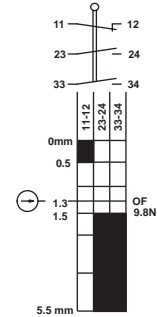
SL6
2NC/1NO
Slow Action
(Changeover)



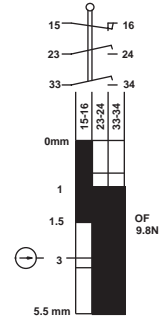
SL7
2NC/1NO
Slow Action
(Overlapping)



SL8
1NC/2NO
Slow Action
(Changeover)

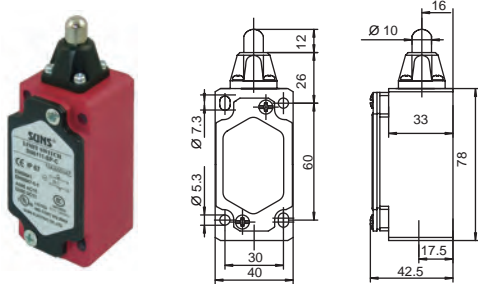


SL9
1NC/2NO
Slow Action
(Overlapping)



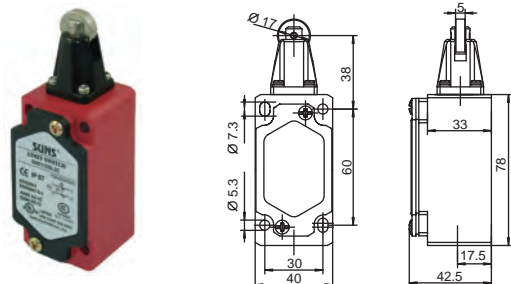
GLOBAL STYLE SAFETY LIMIT SWITCHES (Metal Bodied EN50041 TYPE) SN6 SERIES (SINGLE CONDUIT ENTRY)

SN6111



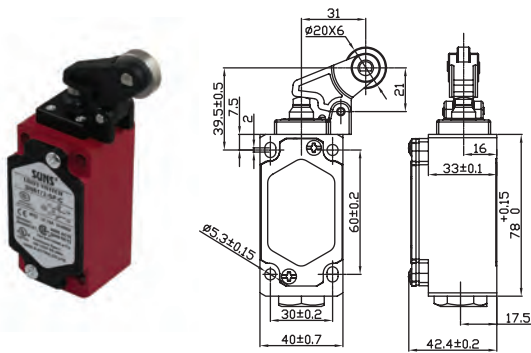
Order Code	Contact block		
SN6111-SP- _	SP	snap action	1NO+1NC
SN6111-SL- _	SL	slow action	1NO+1NC BBM
SN6111-SL1- _	SL1	slow action	1NO+1NC MBB
SN6111-SL2- _	SL2	slow action	2NC

SN6112



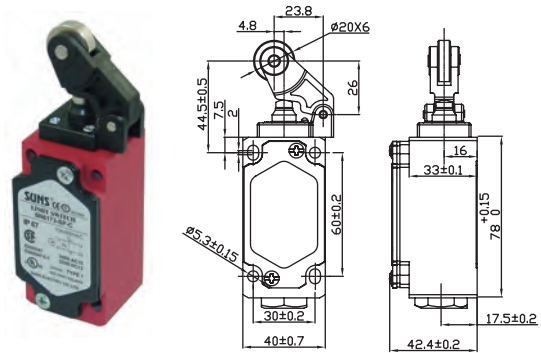
Order Code	Contact block		
SN6112-SP- _	SP	snap action	1NO+1NC
SN6112-SL- _	SL	slow action	1NO+1NC BBM
SN6112-SL1- _	SL1	slow action	1NO+1NC MBB
SN6112-SL2- _	SL2	slow action	2NC

SN6172



Order Code	Contact block		
SN6172-SP- _	SP	snap action	1NO+1NC
SN6172-SL- _	SL	slow action	1NO+1NC BBM
SN6172-SL1- _	SL1	slow action	1NO+1NC MBB
SN6172-SL2- _	SL2	slow action	2NC

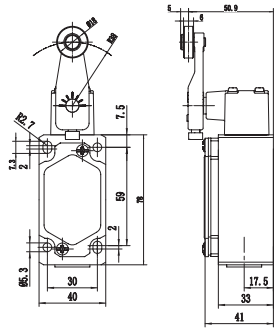
SN6173



Order Code	Contact block		
SN6173-SP- _	SP	snap action	1NO+1NC
SN6173-SL- _	SL	slow action	1NO+1NC BBM
SN6173-SL1- _	SL1	slow action	1NO+1NC MBB
SN6173-SL2- _	SL2	slow action	2NC

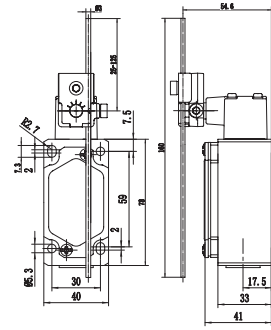
GLOBAL STYLE SAFETY LIMIT SWITCHES (Metal Bodied EN50041 TYPE) SN6 SERIES (SINGLE CONDUIT ENTRY)

SN6104(AB)



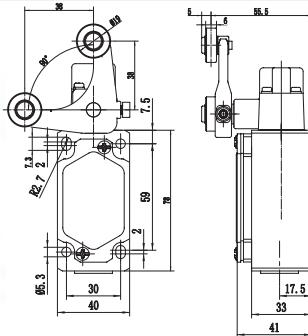
Order Code	Contact block			
SN6104-SP-_(AB)	SP	↻	snap action	1NO+1NC
SN6104-SL-_(AB)	SL	↻	slow action	1NO+1NC BBM
SN6104-SL1-_(AB)	SL1	↻	slow action	1NO+1NC MBB
SN6104-SL2-_(AB)	SL2	↻	slow action	2NC

SN6107(AB)



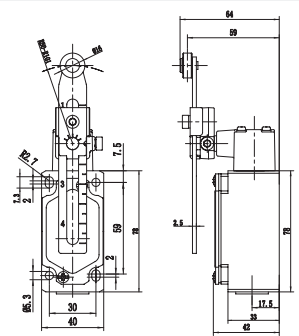
Order Code	Contact block			
SN6107-SP-_(AB)	SP	↻	snap action	1NO+1NC
SN6107-SL-_(AB)	SL	↻	slow action	1NO+1NC BBM
SN6107-SL1-_(AB)	SL1	↻	slow action	1NO+1NC MBB
SN6107-SL2-_(AB)	SL2	↻	slow action	2NC

SN6105(AB)



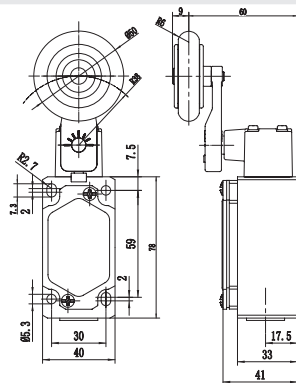
Order Code	Contact block			
SN6105-SP-_(AB)	SP	↻	snap action	1NO+1NC
SN6105-SL-_(AB)	SL	↻	slow action	1NO+1NC BBM

SN6108(AB)



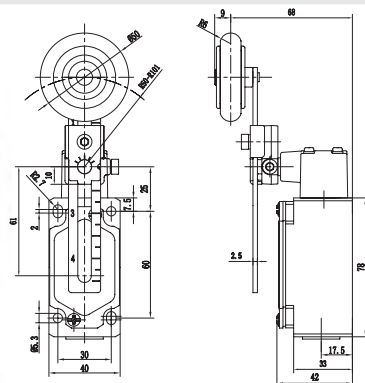
Order Code	Contact block			
SN6108-SP-_(AB)	SP	↻	snap action	1NO+1NC
SN6108-SL-_(AB)	SL	↻	slow action	1NO+1NC BBM
SN6108-SL1-_(AB)	SL1	↻	slow action	1NO+1NC MBB
SN6108-SL2-_(AB)	SL2	↻	slow action	2NC

SN6114(AB)



Order Code	Contact block			
SN6114-SP-_(AB)	SP	↻	snap action	1NO+1NC
SN6114-SL-_(AB)	SL	↻	slow action	1NO+1NC BBM
SN6114-SL1-_(AB)	SL1	↻	slow action	1NO+1NC MBB
SN6114-SL2-_(AB)	SL2	↻	slow action	2NC

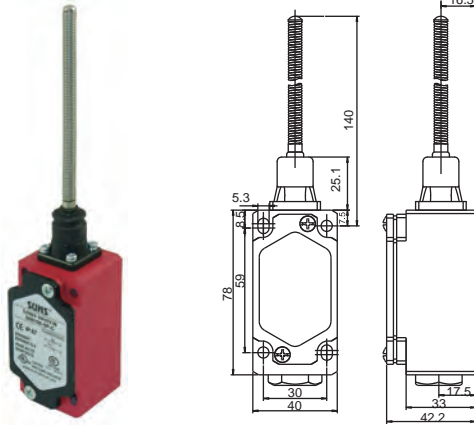
SN6118(AB)



Order Code	Contact block			
SN6118-SP-_(AB)	SP	↻	snap action	1NO+1NC
SN6118-SL-_(AB)	SL	↻	slow action	1NO+1NC BBM
SN6118-SL1-_(AB)	SL1	↻	slow action	1NO+1NC MBB
SN6118-SL2-_(AB)	SL2	↻	slow action	2NC

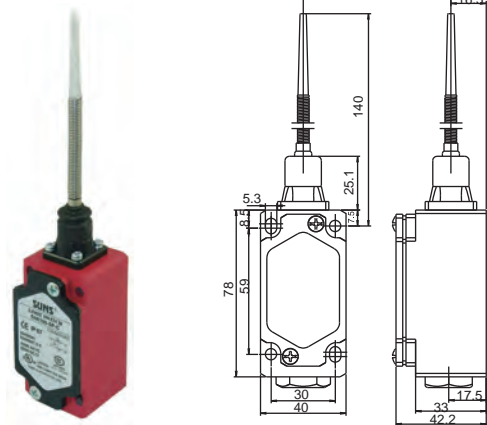
GLOBAL STYLE SAFETY LIMIT SWITCHES (Metal Bodied EN50041 TYPE) SN6 SERIES (SINGLE CONDUIT ENTRY)

SN6100



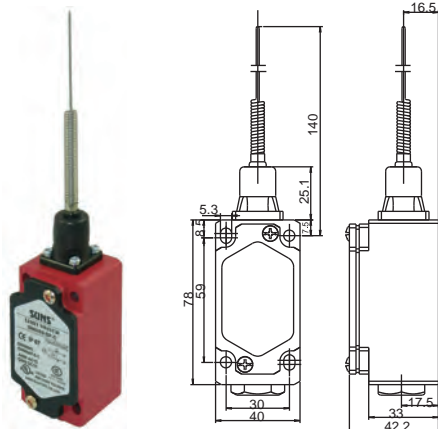
Order Code
SN6100-SP- _ SP snap action 1NO+1NC

SN6166



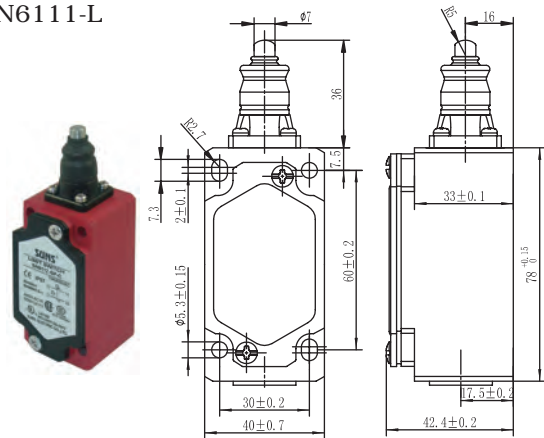
Order Code
SN6166-SP- _ SP snap action 1NO+1NC

SN6169



Order Code
SN6169-SP- _ SP snap action 1NO+1NC

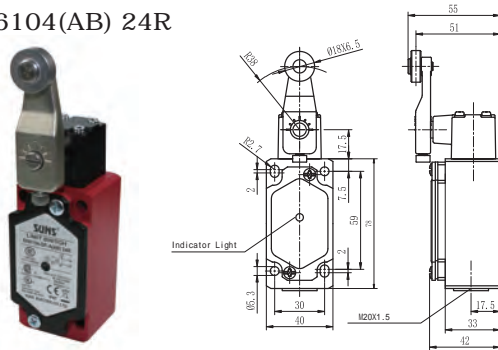
SN6111-L



Order Code **Contact block**

SN6111-SP- _L	SP	⊕	snap action	1NO+1NC
SN6111-SL- _L	SL	⊕	slow action	1NO+1NC BBM
SN6111-SL1- _L	SL1	⊕	slow action	1NO+1NC MBB
SN6111-SL2- _L	SL2	⊕	slow action	2NC

SN6104(AB) 24R

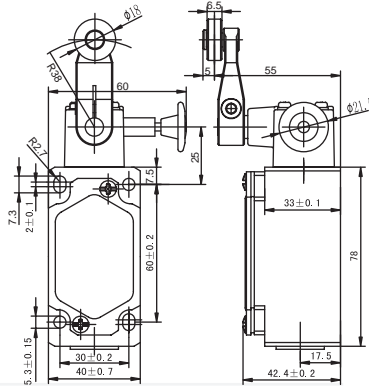


Order Code **Contact block**

SN6104-SP- _(AB) 24R	SP	⊕	snap action	1NO+1NC
SN6104-SL- _(AB) 24R	SL	⊕	slow action	1NO+1NC BBM
SN6104-SL1- _(AB) 24R	SL1	⊕	slow action	1NO+1NC MBB
SN6104-SL2- _(AB) 24R	SL2	⊕	slow action	2NC

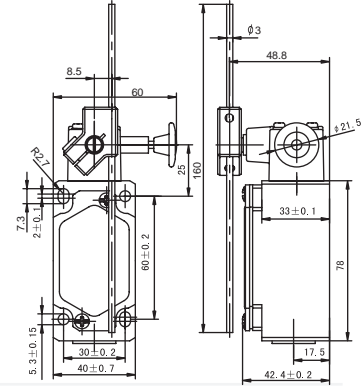
GLOBAL STYLE SAFETY LIMIT SWITCHES (Metal Bodied EN50041 TYPE) SN6 SERIES (SINGLE CONDUIT ENTRY WITH RESET)

SN6104-R



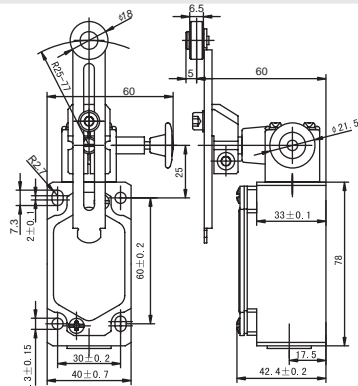
Order Code	Contact block		
SN6104-SP- _R	SP	↻	snap action 1NO+1NC
SN6104-SL- _R	SL	↻	slow action 1NO+1NC BBM
SN6104-SL1- _R	SL1	↻	slow action 1NO+1NC MBB
SN6104-SL2- _R	SL2	↻	slow action 2NC

SN6107-R



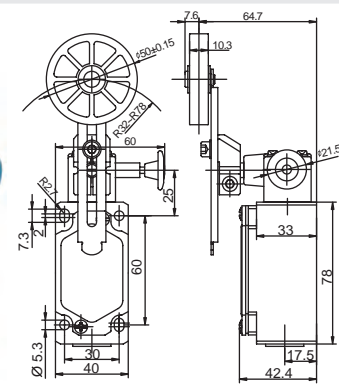
Order Code	Contact block		
SN6107-SP- _R	SP	↻	snap action 1NO+1NC
SN6107-SL- _R	SL	↻	slow action 1NO+1NC BBM
SN6107-SL1- _R	SL1	↻	slow action 1NO+1NC MBB
SN6107-SL2- _R	SL2	↻	slow action 2NC

SN6108-R



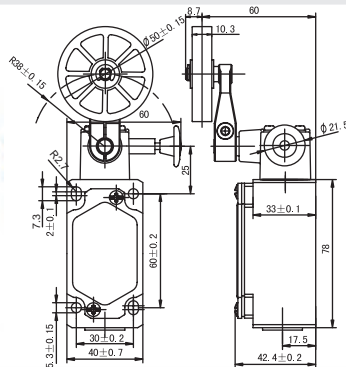
Order Code	Contact block		
SN6108-SP- _R	SP	↻	snap action 1NO+1NC
SN6108-SL- _R	SL	↻	slow action 1NO+1NC BBM
SN6108-SL1- _R	SL1	↻	slow action 1NO+1NC MBB
SN6108-SL2- _R	SL2	↻	slow action 2NC

SN6118-R



Order Code	Contact block		
SN6118-SP- _R	SP	↻	snap action 1NO+1NC
SN6118-SL- _R	SL	↻	slow action 1NO+1NC BBM
SN6118-SL1- _R	SL1	↻	slow action 1NO+1NC MBB
SN6118-SL2- _R	SL2	↻	slow action 2NC

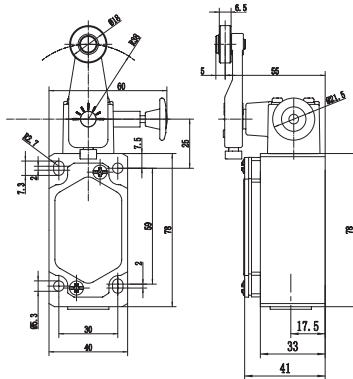
SN6114-R



Order Code	Contact block		
SN6114-SP- _R	SP	↻	snap action 1NO+1NC
SN6114-SL- _R	SL	↻	slow action 1NO+1NC BBM
SN6114-SL1- _R	SL1	↻	slow action 1NO+1NC MBB
SN6114-SL2- _R	SL2	↻	slow action 2NC

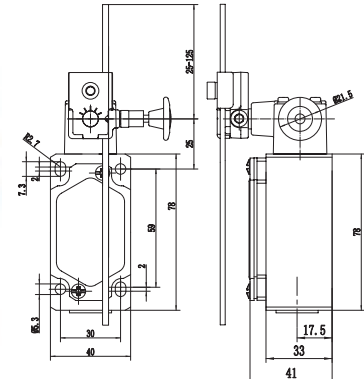
GLOBAL STYLE SAFETY LIMIT SWITCHES (Metal Bodied EN50041 TYPE) SN6 SERIES (SINGLE CONDUIT ENTRY WITH RESET)

SN6104-R(AB)



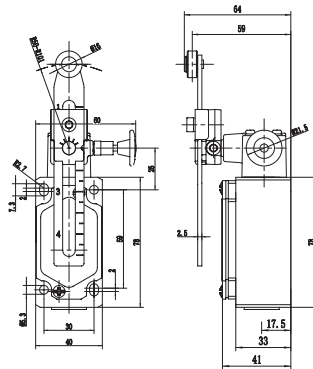
Order Code	Contact block		
SN6104-SP- _R(AB)	SP	⊕	snap action 1NO+1NC
SN6104-SL- _R(AB)	SL	⊕	slow action 1NO+1NC BBM
SN6104-SL1- _R(AB)	SL1	⊕	slow action 1NO+1NC MBB
SN6104-SL2- _R(AB)	SL2	⊕	slow action 2NC

SN6107-R(AB)



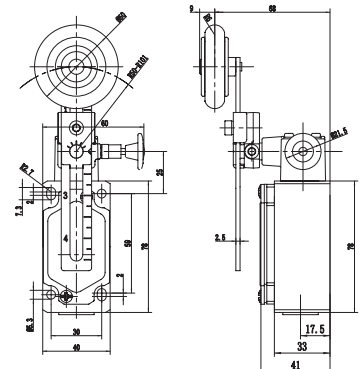
Order Code	Contact block		
SN6107-SP- _R(AB)	SP	⊕	snap action 1NO+1NC
SN6107-SL- _R(AB)	SL	⊕	slow action 1NO+1NC BBM
SN6107-SL1- _R(AB)	SL1	⊕	slow action 1NO+1NC MBB
SN6107-SL2- _R(AB)	SL2	⊕	slow action 2NC

SN6108-R(AB)



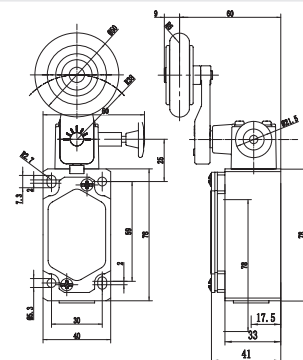
Order Code	Contact block		
SN6108-SP- _R(AB)	SP	⊕	snap action 1NO+1NC
SN6108-SL- _R(AB)	SL	⊕	slow action 1NO+1NC BBM
SN6108-SL1- _R(AB)	SL1	⊕	slow action 1NO+1NC MBB
SN6108-SL2- _R(AB)	SL2	⊕	slow action 2NC

SN6118-R(AB)



Order Code	Contact block		
SN6118-SP- _R(AB)	SP	⊕	snap action 1NO+1NC
SN6118-SL- _R(AB)	SL	⊕	slow action 1NO+1NC BBM
SN6118-SL1- _R(AB)	SL1	⊕	slow action 1NO+1NC MBB
SN6118-SL2- _R(AB)	SL2	⊕	slow action 2NC

SN6114-R(AB)



Order Code	Contact block		
SN6114-SP- _R(AB)	SP	⊕	snap action 1NO+1NC
SN6114-SL- _R(AB)	SL	⊕	slow action 1NO+1NC BBM
SN6114-SL1- _R(AB)	SL1	⊕	slow action 1NO+1NC MBB
SN6114-SL2- _R(AB)	SL2	⊕	slow action 2NC

Additional Lever Heads for SN61,SN62,SND61,SN63



Cast Aluminum Lever Arms with Roller

Add '-P' suffix for nylon roller (following part numbers are with steel roller)

Arm Length in. (mm)	Roller Diameter in. (mm)	Roller Width in. (mm)	Part Number
1.38 (35)	0.75 (19)	0.25 (6.3)	H-04B1(AB)
		0.63 (16)	H-04B2(AB)
	0.63 (16)	0.25 (6.3)	H-04B3(AB)
		0.63 (16)	H-04B4(AB)
		1 (25.4)	H-04B5(AB)
1.5 (38)	0.75 (19)	0.25 (6.3)	H-04C1(AB)
		0.63 (16)	H-04C2(AB)
	0.63 (16)	0.25 (6.3)	H-04C3(AB)
		0.63 (16)	H-04C4(AB)
		1(25.4)	H-04C5(AB)
		1.97(50)	H-4C5(AB)
2 (51)	0.75 (19)	0.25 (6.3)	H-04D1(AB)
		0.63 (16)	H-04D2(AB)
	0.63 (16)	0.25 (6.3)	H-04D3(AB)
		0.63 (16)	H-04D4(AB)
2.5 (63.5)	0.75 (19)	0.25 (6.3)	H-04E1(AB)
		0.63 (16)	H-04E2(AB)
	0.63 (16)	0.25 (6.3)	H-04E3(AB)
		0.63 (16)	H-04E4(AB)
3 (76)	0.75 (19)	0.25 (6.3)	H-04F1(AB)
		0.63 (16)	H-04F2(AB)
	0.63 16	0.25 (6.3)	H-04F3(AB)
		0.63 (16)	H-04F4(AB)

* Mounting hole center to roller center distance



90° Forked Cast Aluminum Lever Arms with Roller

Add '-P' suffix for nylon roller (following part numbers are with steel roller)

Arm Length in. (mm)	Roller			Part Number
	Roller Position	Diameter in. (mm)	Width in. (mm)	
1.5 (38)	Rollers on same side	0.75 (19)	0.25 (6.3)	H-05-1(AB)
		0.63 (16)	0.25 (6.3)	H-05-3(AB)
	R.H. Rollers on opposite side	0.75 (19)	0.25 (6.3)	H-05-1RH(AB)
		0.63 (16)	0.25 (6.3)	H-05-3RH(AB)
	L.H. Rollers on opposite side	0.75 (19)	0.25 (6.3)	H-05-1LH(AB)
		0.63 (16)	0.25 (6.3)	H-05-3LH(AB)

* Mounting hole center to roller center distance

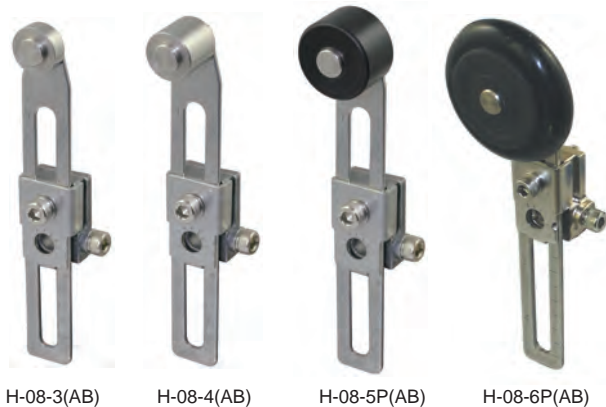
Adjustable Length Lever Arm with Steel Roller

Lever Length in. (mm)	Roller Dia. in. (mm)	Roller Width in. (mm)	Part Number
Non-bendable, adjustable from 22-101mm	0.63 (16)	0.25 (6.3)	H-08-3(AB)
	0.63 (16)	0.63 (16)	H-08-4(AB)
	0.75(19)	0.25(6.3)	H-08-5(AB)
	0.63 (16)	0.25 (6.3)	H-08B-3(AB)
Bendable, adjustable from 22-101mm	0.63 (16)	0.63 (16)	H-08B-4(AB)
	0.75(19)	0.25(6.3)	H-08B-5(AB)

Adjustable Length Lever Arm with Nylon Roller

Lever Length in. (mm)	Roller Dia. in. (mm)	Roller Width in. (mm)	Part Number
Non-bendable, adjustable from 22-101mm	0.63 (16)	0.25 (6.3)	H-08-3P(AB)
	1 (25.4)	0.63 (16)	H-08-5P(AB)
	0.75(19)	0.25(6.3)	H-08-7P(AB)
Bendable, adjustable from 22-101mm	0.63 (16)	0.25 (6.3)	H-08B-3P(AB)
	1.0 (25.4)	0.63 (16)	H-08B-5P(AB)
	2(51)	0.25 (6.3)	H-08B-6P(AB)

* Mounting hole center to roller center distance



Additional Lever Heads for SN61,SN62,SND61,SN63



Rod Type Lever Arms

Description	Length in. (mm)	Part Number
Stainless Steel Rod	10 (254)	H-07-10(AB)
Spring Rod, Steel	12 (304)	H-07S-12(AB)
Spring Rod, Delrin	12 (304)	H-07P-12(AB)
Looped Delrin Rod Arm	160MM(6.3IN.)	H-06(AB)
Looped Delrin Rod Arm	228MM(9IN.)	H-09(AB)

GLOBAL STYLE SAFETY LIMIT SWITCHES (Metal Bodied EN50041 COMPATIBLE) SN63 SERIES (3 - CONDUIT ENTRY)

SUNS products help to make factories run more efficiently, product manufacturing smarter, and automation environments more productive.



Features

- Zinc die cast body
- Earth grounding surface on same level as switching
- Easily interchangeable contact block
- Galvanically separated contacts
- Screw terminals with self-lifting clamps for easy wiring
- Positive Opening of NC contacts
- 4 x 90° actuator positions
- Cable entry available: M20, PG13.5 and 1/2"NPT
- Conform to EN 50041 standard

Definitions of Operating Characteristics

- OF Operating Force
 RF Releasing Force
 OT Overtravel
 TT Total Travel
 PT Pretravel
 MD Movement Differential
 OP Operating Position
 PO Travel to Positive Opening
-

Specifications

Operating Speed	0.05mm-2m/sec
Operating Frequency	Mechanical: 120ops/min Electrical: 30 ops/min
Insulation Resistance	>100MΩ@500V DC
Contact Resistance	<25mΩ (initial value)
Rated Thermal Current	10A/600V AC (EN60947-5-1) UL/cUL Listed (E216958) AC15 A600 / DC13 Q300
Dielectric Strength	1000VAC for 1 min between current carrying parts 2500VAC for 1 min between non-current carrying parts
Service Life	Mechanically 1.0 x 10 ⁷ (operations) Electrically 5 x 10 ⁵ (operations)
Operating Temperature	-25~+80°C (-13~176°F) with no icing
Humidity	< 95%RH
Weight	450-530g
Degree of Protection	IP67

Selection Guide:

SN63

Body Styles

04

Head Styles

SP

Contact Block

- SP: 1NO/1NC Snap action
- SPT: 2NO/2NC Snap action
- SL: BBM 1NO/1NC Slow Action changeover
- SL1: MBB 1NO/1NC Slow Action Overlapping
- SL2: 2NC Slow Action
- SL3: 2NO Slow Action
- SL4: 3NC Slow Action
- SL5: 3NO Slow Action
- SL6: BBM 2NC/1NO Slow Action changeover
- SL7: MBB 2NC/1NO Slow Action Overlapping
- SL8: BBM 2NO/1NC Slow Action changeover
- SL9: MBB 2NO/1NC Slow Action Overlapping

C

Conduits

- A: 1/2"NPT
- B: PG13.5
- C: M20

R

- Blank
- R: with Reset

(AB)

Aluminum alloy swing arm

GLOBAL STYLE SAFETY LIMIT SWITCHES (Metal Bodied EN50041 COMPATIBLE) SN63 SERIES (3 - CONDUIT ENTRY)

Available contact blocks and travel diagrams



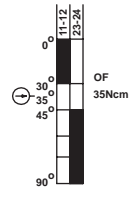
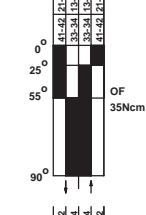
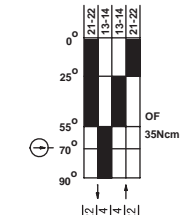
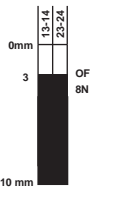
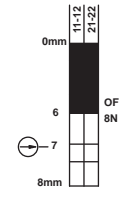
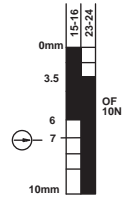
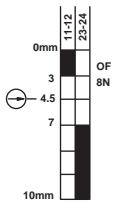
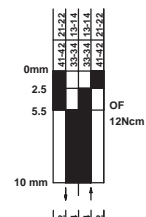
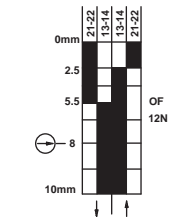
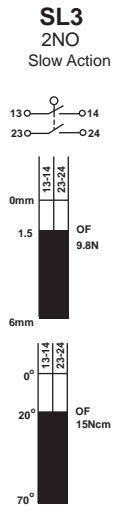
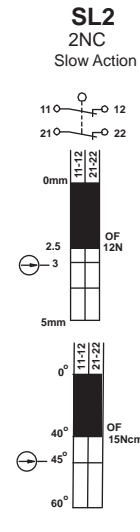
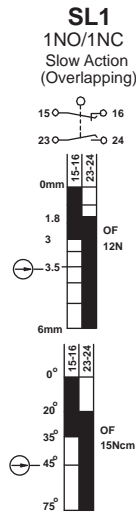
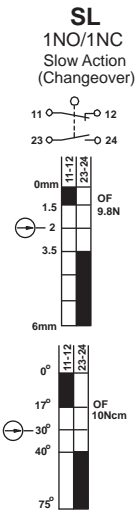
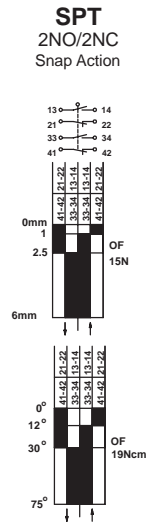
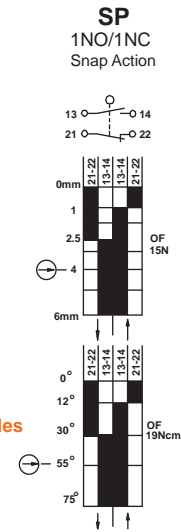
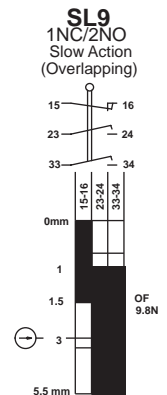
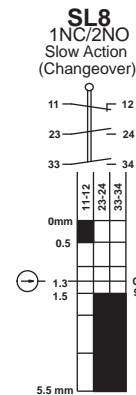
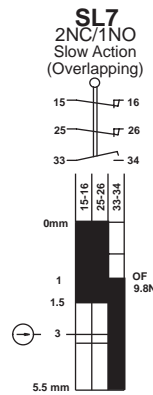
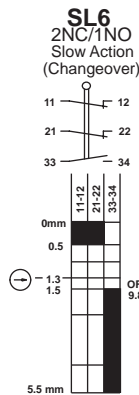
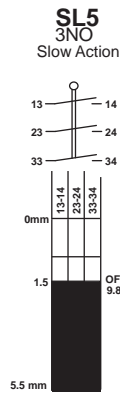
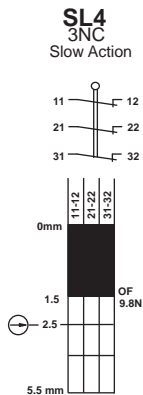
Plunger type
11,12 Styles

Side rotary type
04, 07, 08, 14, 18, 09 Styles

72, 73 Styles

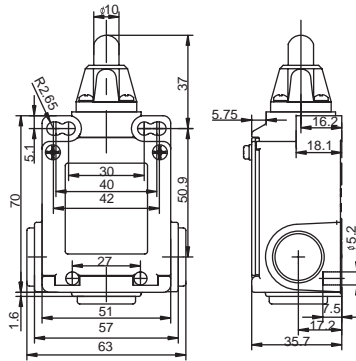
05 Styles

00, 66, 69 Styles



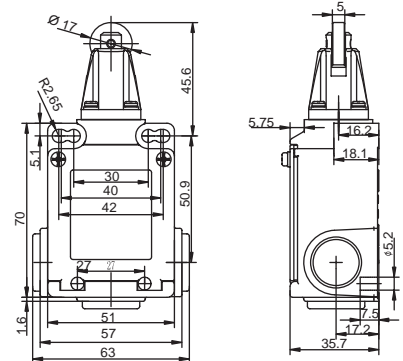
GLOBAL STYLE SAFETY LIMIT SWITCHES (Metal Bodied EN50041 COMPATIBLE) SN63 SERIES (3 - CONDUIT ENTRY)

SN6311



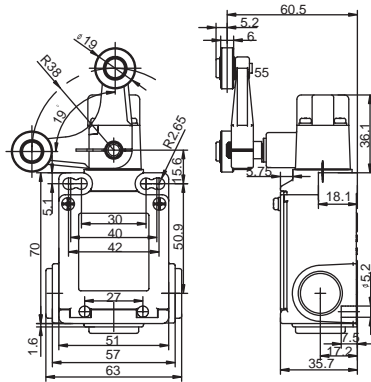
Order Code	Contact block	SP	SL	SL1	SL2	action	contacts
SN6311-SP- _	SP	+				snap action	1NO+1NC
SN6311-SL- _	SL	+	+			slow action	1NO+1NC BBM
SN6311-SL1- _	SL1	+		+		slow action	1NO+1NC MBB
SN6311-SL2- _	SL2	+			+	slow action	2NC

SN6312



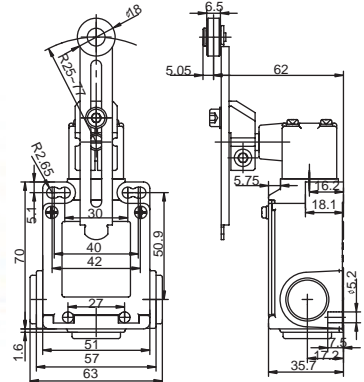
Order Code	Contact block	SP	SL	SL1	SL2	action	contacts
SN6312-SP- _	SP	+				snap action	1NO+1NC
SN6312-SL- _	SL	+	+			slow action	1NO+1NC BBM
SN6312-SL1- _	SL1	+		+		slow action	1NO+1NC MBB
SN6312-SL2- _	SL2	+			+	slow action	2NC

SN6305



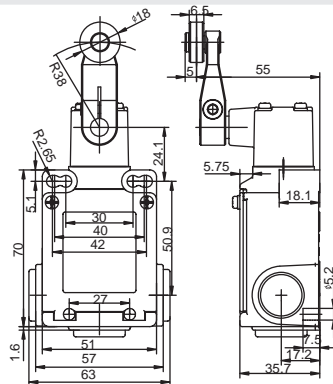
Order Code	Contact block	SP	SL	action	contacts
SN6305-SP- _	SP	+		snap action	1NO+1NC
SN6305-SL- _	SL	+	+	slow action	1NO+1NC BBM

SN6308



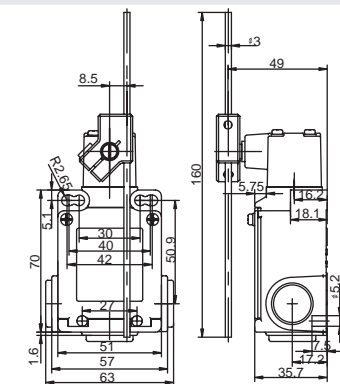
Order Code	Contact block	SP	SL	SL1	SL2	action	contacts
SN6308-SP- _	SP	+				snap action	1NO+1NC
SN6308-SL- _	SL	+	+			slow action	1NO+1NC BBM
SN6308-SL1- _	SL1	+		+		slow action	1NO+1NC MBB
SN6308-SL2- _	SL2	+			+	slow action	2NC

SN6304



Order Code	Contact block	SP	SL	SL1	SL2	action	contacts
SN6304-SP- _	SP	+				snap action	1NO+1NC
SN6304-SL- _	SL	+	+			slow action	1NO+1NC BBM
SN6304-SL1- _	SL1	+		+		slow action	1NO+1NC MBB
SN6304-SL2- _	SL2	+			+	slow action	2NC

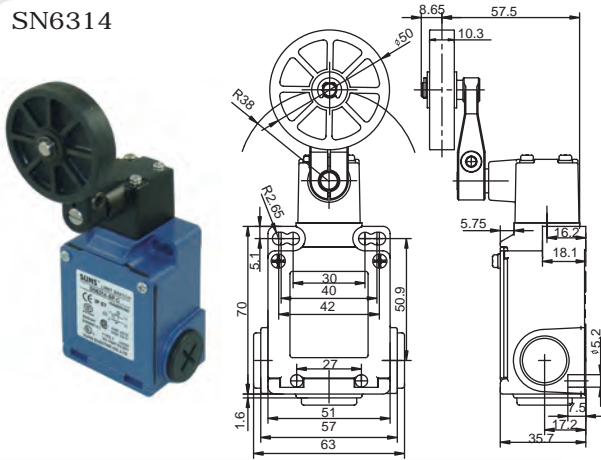
SN6307



Order Code	Contact block	SP	SL	SL1	SL2	action	contacts
SN6307-SP- _	SP	+				snap action	1NO+1NC
SN6307-SL- _	SL	+	+			slow action	1NO+1NC BBM
SN6307-SL1- _	SL1	+		+		slow action	1NO+1NC MBB
SN6307-SL2- _	SL2	+			+	slow action	2NC

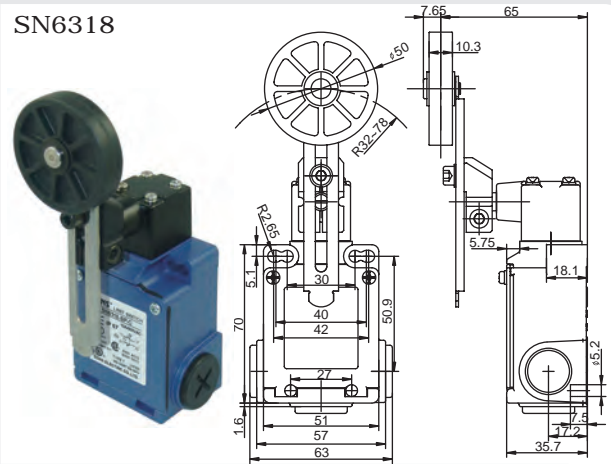
GLOBAL STYLE SAFETY LIMIT SWITCHES (Metal Bodied EN50041 COMPATIBLE) SN63 SERIES (3 - CONDUIT ENTRY)

SN6314



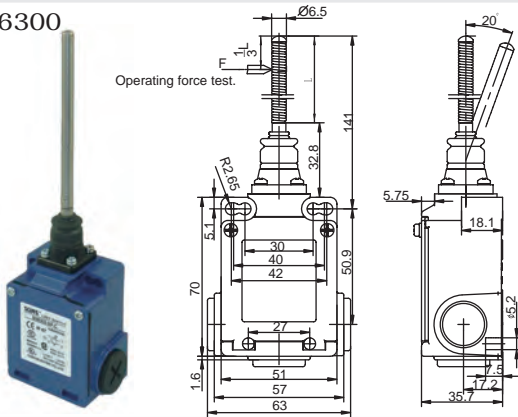
Order Code	Contact block			
SN6314-SP- _	SP		snap action	1NO+1NC
SN6314-SL- _	SL		slow action	1NO+1NC BBM
SN6314-SL1- _	SL1		slow action	1NO+1NC MBB
SN6314-SL2- _	SL2		slow action	2NC

SN6318



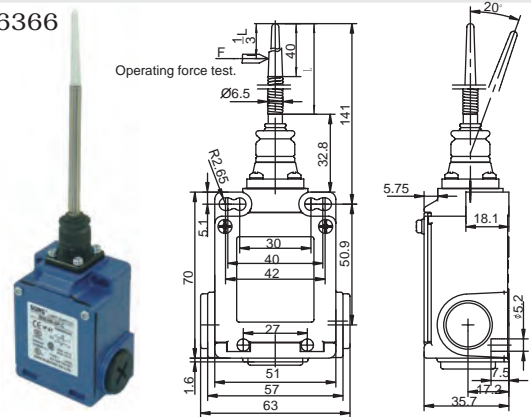
Order Code	Contact block			
SN6318-SP- _	SP		snap action	1NO+1NC
SN6318-SL- _	SL		slow action	1NO+1NC BBM
SN6318-SL1- _	SL1		slow action	1NO+1NC MBB
SN6318-SL2- _	SL2		slow action	2NC

SN6300



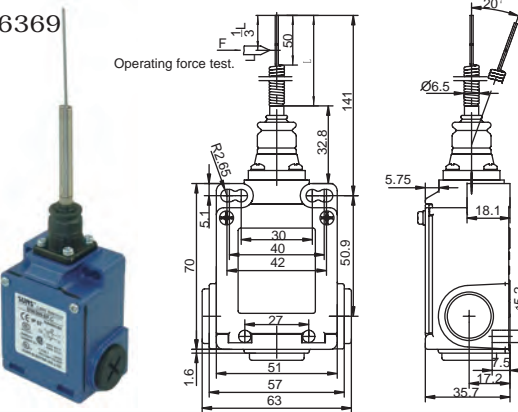
Order Code				
SN6300-SP- _	SP		snap action	1NO+1NC

SN6366



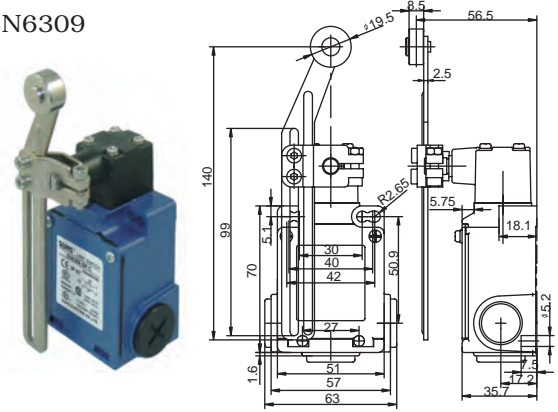
Order Code				
SN6366-SP- _	SP		snap action	1NO+1NC

SN6369



Order Code				
SN6369-SP- _	SP		snap action	1NO+1NC

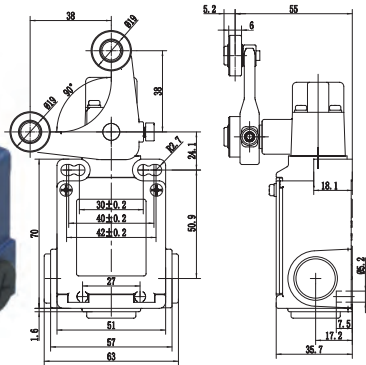
SN6309



Order Code	Contact block			
SN6309-SP- _	SP		snap action	1NO+1NC
SN6309-SL- _	SL		slow action	1NO+1NC BBM
SN6309-SL1- _	SL1		slow action	1NO+1NC MBB
SN6309-SL2- _	SL2		slow action	2NC

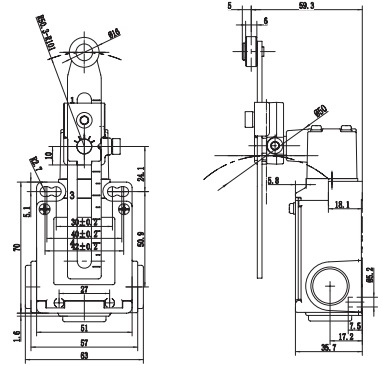
GLOBAL STYLE SAFETY LIMIT SWITCHES (Metal Bodied EN50041 COMPATIBLE) SN63 SERIES (3 - CONDUIT ENTRY)

SN6305(AB)



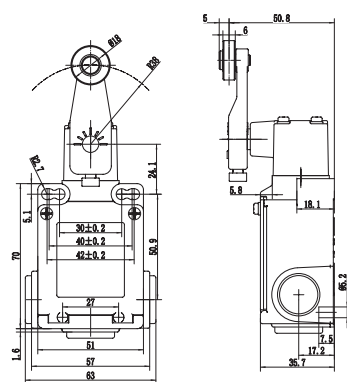
Order Code	Contact block			
SN6305-SP-_(AB)	SP		snap action	1NO+1NC
SN6305-SL-_(AB)	SL		slow action	1NO+1NC BBM

SN6308(AB)



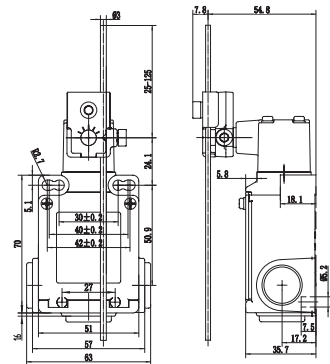
Order Code	Contact block			
SN6308-SP-_(AB)	SP		snap action	1NO+1NC
SN6308-SL-_(AB)	SL		slow action	1NO+1NC BBM
SN6308-SL1-_(AB)	SL1		slow action	1NO+1NC MBB
SN6308-SL2-_(AB)	SL2		slow action	2NC

SN6304(AB)



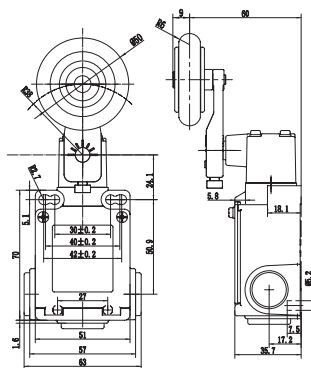
Order Code	Contact block			
SN6304-SP-_(AB)	SP		snap action	1NO+1NC
SN6304-SL-_(AB)	SL		slow action	1NO+1NC BBM
SN6304-SL1-_(AB)	SL1		slow action	1NO+1NC MBB
SN6304-SL2-_(AB)	SL2		slow action	2NC

SN6307(AB)



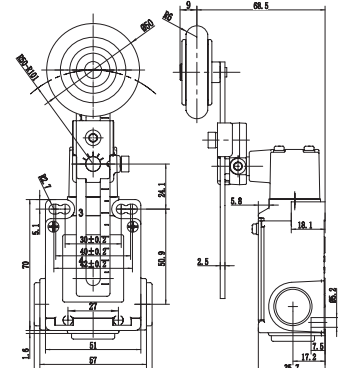
Order Code	Contact block			
SN6307-SP-_(AB)	SP		snap action	1NO+1NC
SN6307-SL-_(AB)	SL		slow action	1NO+1NC BBM
SN6307-SL1-_(AB)	SL1		slow action	1NO+1NC MBB
SN6307-SL2-_(AB)	SL2		slow action	2NC

SN6314(AB)



Order Code	Contact block			
SN6314-SP-_(AB)	SP		snap action	1NO+1NC
SN6314-SL-_(AB)	SL		slow action	1NO+1NC BBM
SN6314-SL1-_(AB)	SL1		slow action	1NO+1NC MBB
SN6314-SL2-_(AB)	SL2		slow action	2NC

SN6318(AB)



Order Code	Contact block			
SN6318-SP-_(AB)	SP		snap action	1NO+1NC
SN6318-SL-_(AB)	SL		slow action	1NO+1NC BBM
SN6318-SL1-_(AB)	SL1		slow action	1NO+1NC MBB
SN6318-SL2-_(AB)	SL2		slow action	2NC

GLOBAL STYLE SAFETY LIMIT SWITCHES (Plastic Bodied EN50041 TYPE) SND6 SERIES (SINGLE CONDUIT ENTRY)




Long standing relationships with the biggest names in Industrial Automation enable our team to deliver competitive products that are innovative and designed for years of reliable performance.

Features

- Glass fiber reinforced plastic body
- Increased wiring space
- Easily interchangeable contact block
- Galvanically separated contacts
- Screw terminals with self-lifting clamps for easy wiring
- Positive Opening of NC contacts
- 4 x 90° actuator positions
- Cable entry available: M20, PG13.5 and 1/2"NPT
- Conform to EN 50041 standard

Definitions of Operating Characteristics

- OF Operating Force
 RF Releasing Force
 OT Overtravel
 TT Total Travel
 PT Pretravel
 MD Movement Differential
 OP Operating Position
 PO Travel to Positive Opening
- 

Specifications

Operating Speed	0.05mm-2m/sec
Operating Frequency	Mechanical: 120ops/min Electrical: 30 ops/min
Insulation Resistance	>100MΩ@500V DC
Contact Resistance	<25mΩ (initial value)
Rated Thermal Current	10A/600V AC (EN60947-5-1) UL/cUL Listed (E216958) AC15 A600 / DC13 Q300
Dielectric Strength	1000VAC for 1 min between current carrying parts 2500VAC for 1 min between non-current carrying parts
Service Life	Mechanically 1 x 10 ⁷ (operations) Electrically 5 x 10 ⁵ (operations)
Operating Temperature	-25~+80°C (-13~176°F) with no icing
Humidity	< 95%
Weight	150-230g for plastic body
Degree of Protection	IP67

Selection Guide:

SND6

Body Styles

04

Head Styles

SP

Contact Block

- SP: 1NO/1NC Snap action
- SPT: 2NO/2NC Snap action
- SL: BBM 1NO/1NC Slow Action changeover
- SL1: MBB 1NO/1NC Slow Action Overlapping
- SL2: 2NC Slow Action
- SL3: 2NO Slow Action
- SL4: 3NC Slow Action
- SL5: 3NO Slow Action
- SL6: BBM 2NC/1NO Slow Action changeover
- SL7: MBB 2NC/1NO Slow Action Overlapping
- SL8: BBM 2NO/1NC Slow Action changeover
- SL9: MBB 2NO/1NC Slow Action Overlapping

C

Conduits

- A: 1/2"NPT
- B: PG13.5
- C: M20

R

- Blank
- R: with Reset

(AB)

Aluminum alloy swing arm

GLOBAL STYLE SAFETY LIMIT SWITCHES (Plastic Bodied EN50041 TYPE)

SND6 SERIES (SINGLE CONDUIT ENTRY)

Available contact blocks and travel diagrams



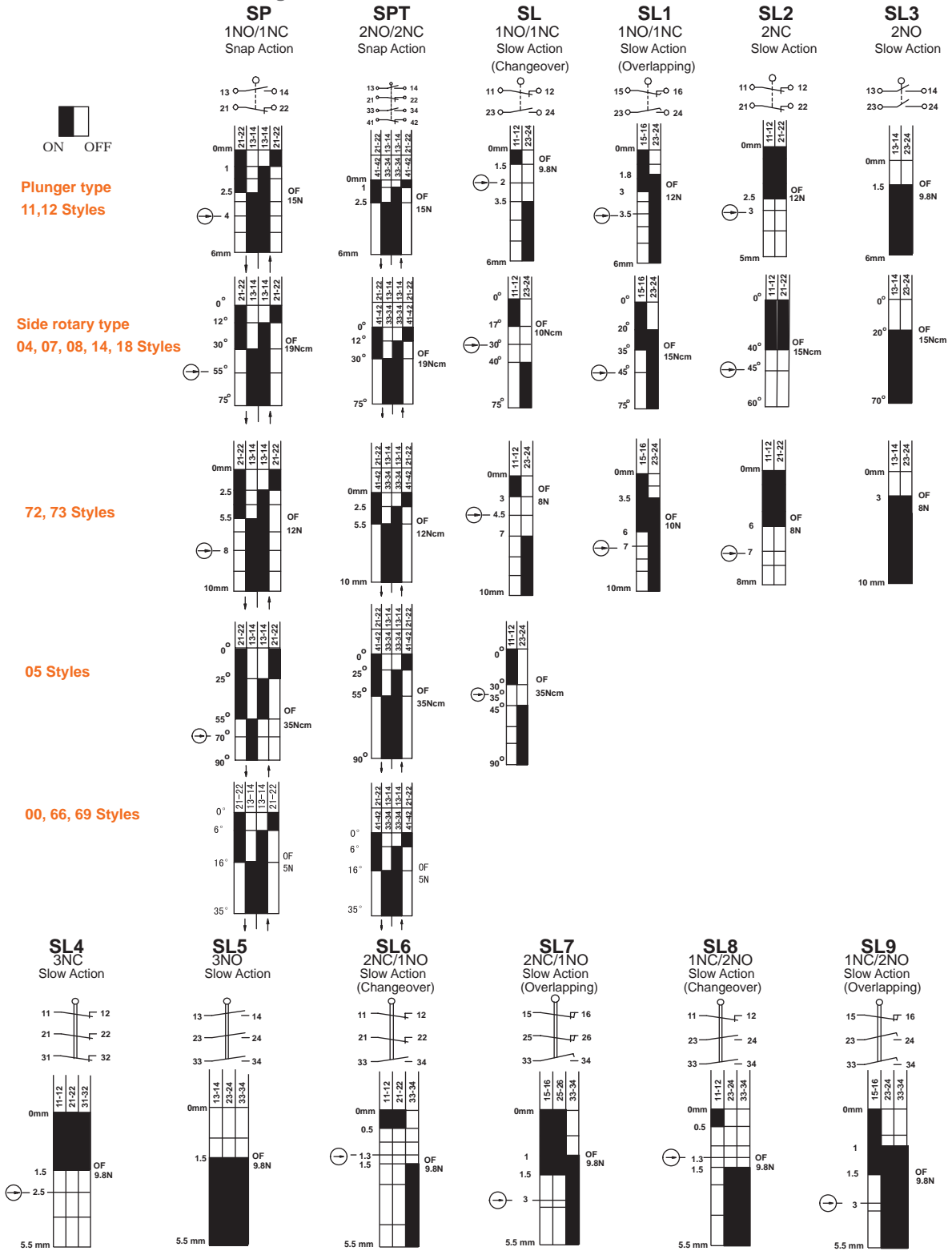
Plunger type
11, 12 Styles

Side rotary type
04, 07, 08, 14, 18 Styles

72, 73 Styles

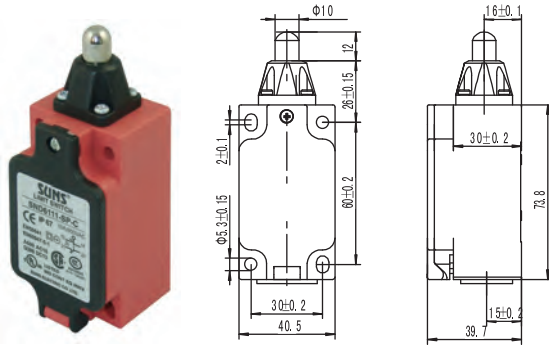
05 Styles

00, 66, 69 Styles



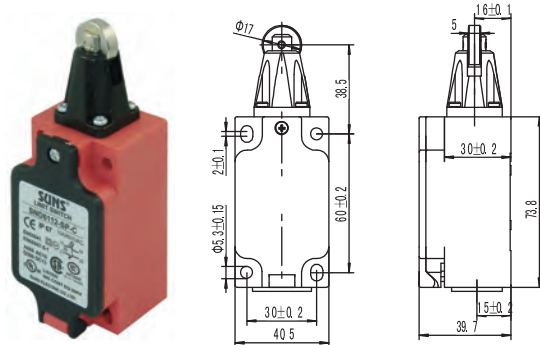
GLOBAL STYLE SAFETY LIMIT SWITCHES (Plastic Bodied EN50041 TYPE) SND6 SERIES (SINGLE CONDUIT ENTRY)

SND6111



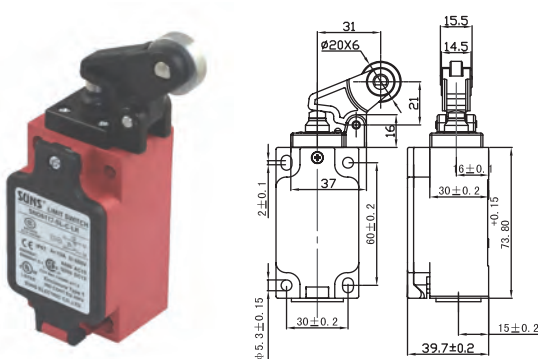
Order Code	Contact block			
SND6111-SP- _	SP	↻	snap action	1NO+1NC
SND6111-SL- _	SL	↻	slow action	1NO+1NC BBM
SND6111-SL1- _	SL1	↻	slow action	1NO+1NC MBB
SND6111-SL2- _	SL2	↻	slow action	2NC

SND6112



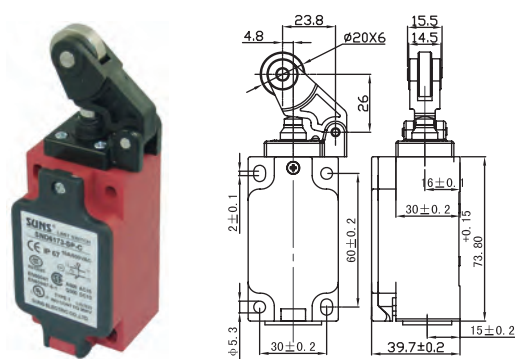
Order Code	Contact block			
SND6112-SP- _	SP	↻	snap action	1NO+1NC
SND6112-SL- _	SL	↻	slow action	1NO+1NC BBM
SND6112-SL1- _	SL1	↻	slow action	1NO+1NC MBB
SND6112-SL2- _	SL2	↻	slow action	2NC

SND6172



Order Code	Contact block			
SND6172-SP- _	SP	↻	snap action	1NO+1NC
SND6172-SL- _	SL	↻	slow action	1NO+1NC BBM
SND6172-SL1- _	SL1	↻	slow action	1NO+1NC MBB
SND6172-SL2- _	SL2	↻	slow action	2NC

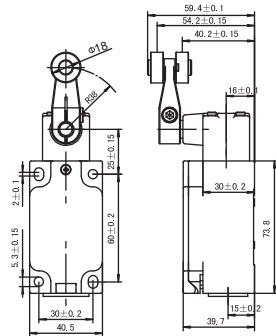
SND6173



Order Code	Contact block			
SND6173-SP- _	SP	↻	snap action	1NO+1NC
SND6173-SL- _	SL	↻	slow action	1NO+1NC BBM
SND6173-SL1- _	SL1	↻	slow action	1NO+1NC MBB
SND6173-SL2- _	SL2	↻	slow action	2NC

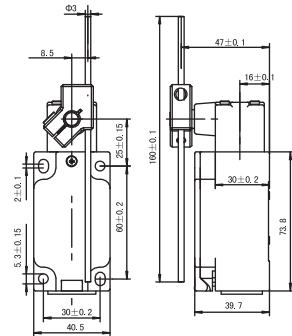
GLOBAL STYLE SAFETY LIMIT SWITCHES (Plastic Bodied EN50041 TYPE) SND6 SERIES (SINGLE CONDUIT ENTRY)

SND6104



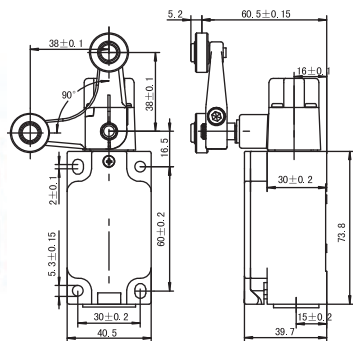
Order Code	Contact block			
SND6104-SP- _	SP	⊕	snap action	1NO+1NC
SND6104-SL- _	SL	⊕	slow action	1NO+1NC BBM
SND6104-SL1- _	SL1	⊕	slow action	1NO+1NC MBB
SND6104-SL2- _	SL2	⊕	slow action	2NC

SND6107



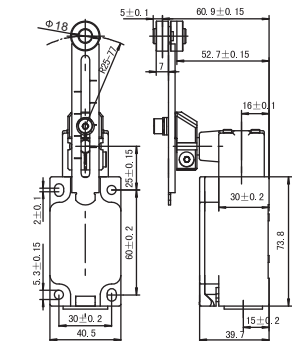
Order Code	Contact block			
SND6107-SP- _	SP	⊕	snap action	1NO+1NC
SND6107-SL- _	SL	⊕	slow action	1NO+1NC BBM
SND6107-SL1- _	SL1	⊕	slow action	1NO+1NC MBB
SND6107-SL2- _	SL2	⊕	slow action	2NC

SND6105



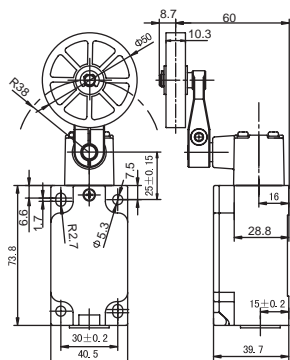
Order Code	Contact block			
SND6105-SP- _	SP	⊕	snap action	1NO+1NC
SND6105-SL- _	SL	⊕	slow action	1NO+1NC BBM

SND6108



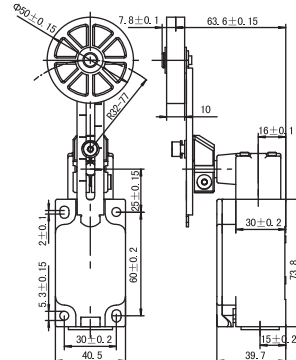
Order Code	Contact block			
SND6108-SP- _	SP	⊕	snap action	1NO+1NC
SND6108-SL- _	SL	⊕	slow action	1NO+1NC BBM
SND6108-SL1- _	SL1	⊕	slow action	1NO+1NC MBB
SND6108-SL2- _	SL2	⊕	slow action	2NC

SND6114



Order Code	Contact block			
SND6114-SP- _	SP	⊕	snap action	1NO+1NC
SND6114-SL- _	SL	⊕	slow action	1NO+1NC BBM
SND6114-SL1- _	SL1	⊕	slow action	1NO+1NC MBB
SND6114-SL2- _	SL2	⊕	slow action	2NC

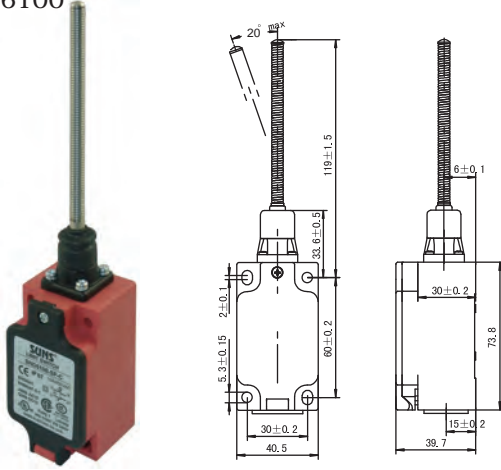
SND6118



Order Code	Contact block			
SND6118-SP- _	SP	⊕	snap action	1NO+1NC
SND6118-SL- _	SL	⊕	slow action	1NO+1NC BBM
SND6118-SL1- _	SL1	⊕	slow action	1NO+1NC MBB
SND6118-SL2- _	SL2	⊕	slow action	2NC

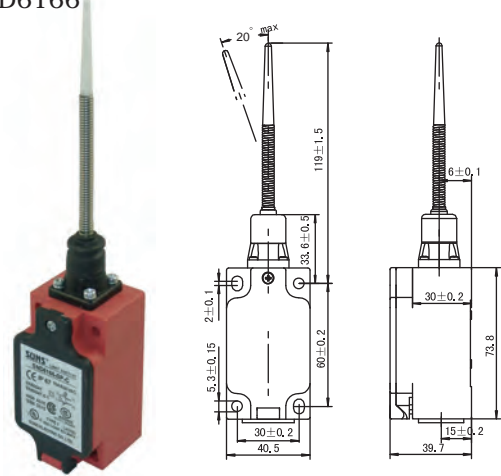
GLOBAL STYLE SAFETY LIMIT SWITCHES (Plastic Bodied EN50041 TYPE) SND6 SERIES (SINGLE CONDUIT ENTRY)

SND6100



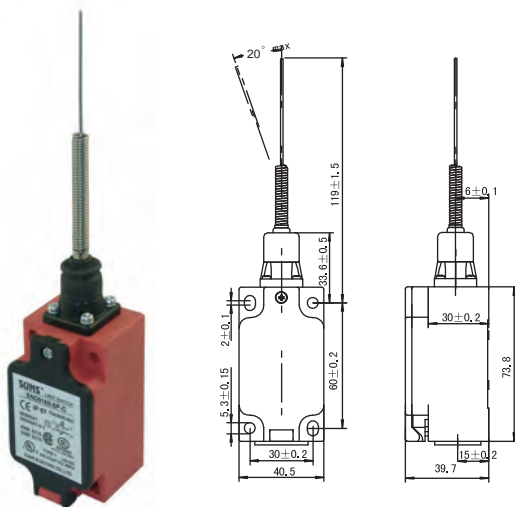
Order Code
SND6100-SP- _ SP snap action 1NO+1NC

SND6166



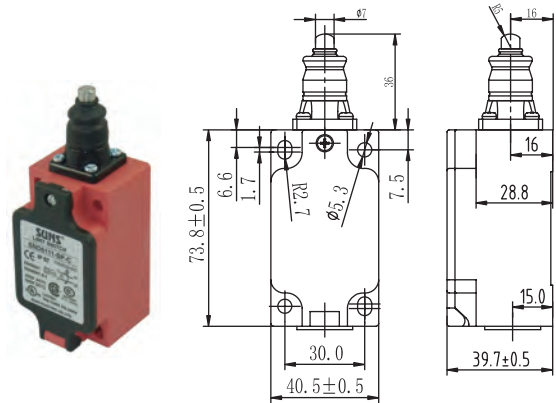
Order Code
SND6166-SP- _ SP snap action 1NO+1NC

SND6169



Order Code
SND6169-SP- _ SP snap action 1NO+1NC

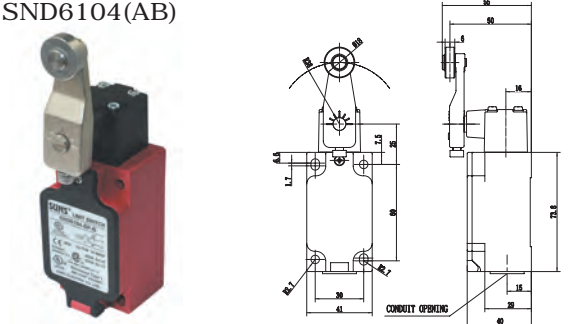
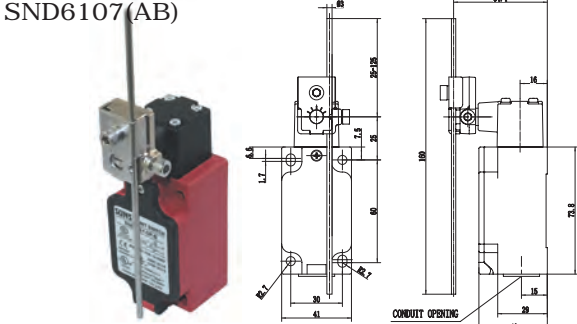
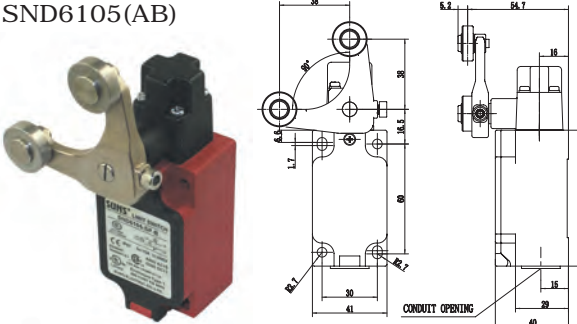
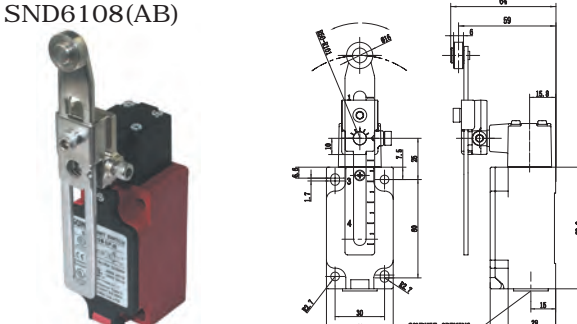
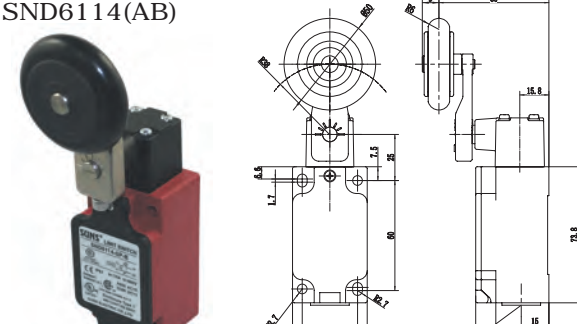
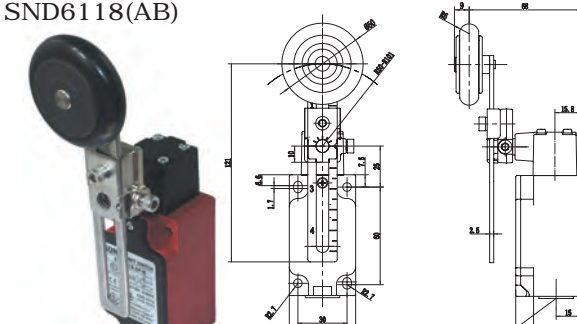
SND6111-L



Order Code	Contact block	SP	SL	SL1	SL2	SP	SL	SL1	SL2	SP	SL	SL1	SL2
SND6111-SP- _L	SP	⊕				⊕				⊕			
SND6111-SL- _L	SL		⊕				⊕				⊕		
SND6111-SL1- _L	SL1			⊕				⊕				⊕	
SND6111-SL2- _L	SL2				⊕				⊕				⊕

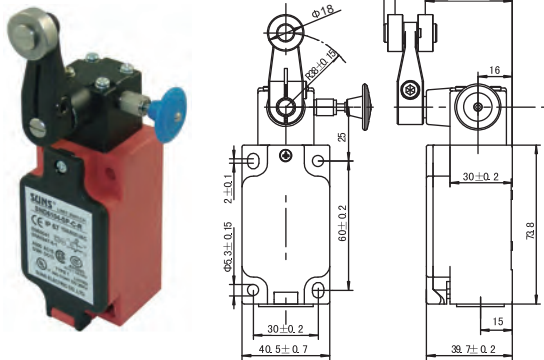
snap action 1NO+1NC
 slow action 1NO+1NC BBM
 slow action 1NO+1NC MBB
 slow action 2NC

GLOBAL STYLE SAFETY LIMIT SWITCHES (Plastic Bodied EN50041 TYPE) SND6 SERIES (SINGLE CONDUIT ENTRY)

SND6104(AB) 		SND6107(AB) 	
Order Code	Contact block	Order Code	Contact block
SND6104-SP-_(AB)	SP snap action 1NO+1NC	SND6107-SP-_(AB)	SP snap action 1NO+1NC
SND6104-SL-_(AB)	SL slow action 1NO+1NC BBM	SND6107-SL-_(AB)	SL slow action 1NO+1NC BBM
SND6104-SL1-_(AB)	SL1 slow action 1NO+1NC MBB	SND6107-SL1-_(AB)	SL1 slow action 1NO+1NC MBB
SND6104-SL2-_(AB)	SL2 slow action 2NC	SND6107-SL2-_(AB)	SL2 slow action 2NC
SND6105(AB) 		SND6108(AB) 	
Order Code	Contact block	Order Code	Contact block
SND6105-SP-_(AB)	SP snap action 1NO+1NC	SND6108-SP-_(AB)	SP snap action 1NO+1NC
SND6105-SL-_(AB)	SL slow action 1NO+1NC BBM	SND6108-SL-_(AB)	SL slow action 1NO+1NC BBM
		SND6108-SL1-_(AB)	SL1 slow action 1NO+1NC MBB
		SND6108-SL2-_(AB)	SL2 slow action 2NC
SND6114(AB) 		SND6118(AB) 	
Order Code	Contact block	Order Code	Contact block
SND6114-SP-_(AB)	SP snap action 1NO+1NC	SND6118-SP-_(AB)	SP snap action 1NO+1NC
SND6114-SL-_(AB)	SL slow action 1NO+1NC BBM	SND6118-SL-_(AB)	SL slow action 1NO+1NC BBM
SND6114-SL1-_(AB)	SL1 slow action 1NO+1NC MBB	SND6118-SL1-_(AB)	SL1 slow action 1NO+1NC MBB
SND6114-SL2-_(AB)	SL2 slow action 2NC	SND6118-SL2-_(AB)	SL2 slow action 2NC

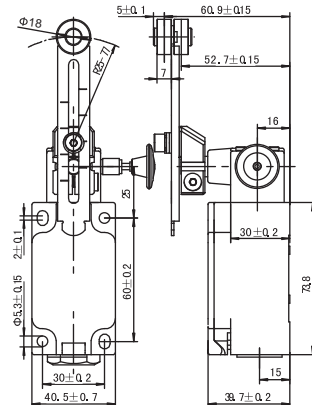
GLOBAL STYLE SAFETY LIMIT SWITCHES (Plastic Bodied EN50041 TYPE) SND6 SERIES (SINGLE CONDUIT ENTRY WITH RESET)

SND6104-R



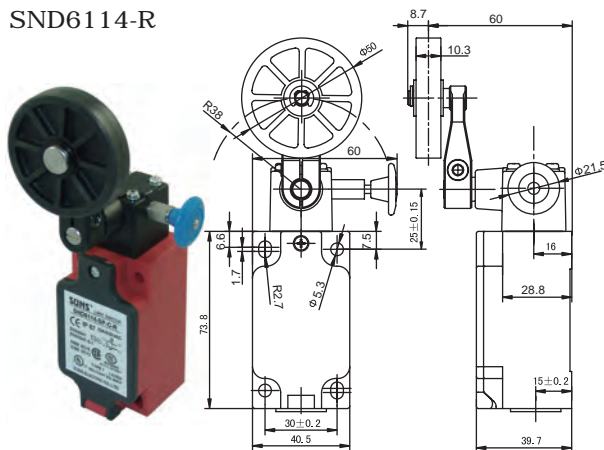
Order Code	Contact block	SP	SL	SL1	SL2
SND6104-SP-_R	SP	→	→	→	→
SND6104-SL-_R	SL	→	→	→	→
SND6104-SL1-_R	SL1	→	→	→	→
SND6104-SL2-_R	SL2	→	→	→	→

SND6108-R



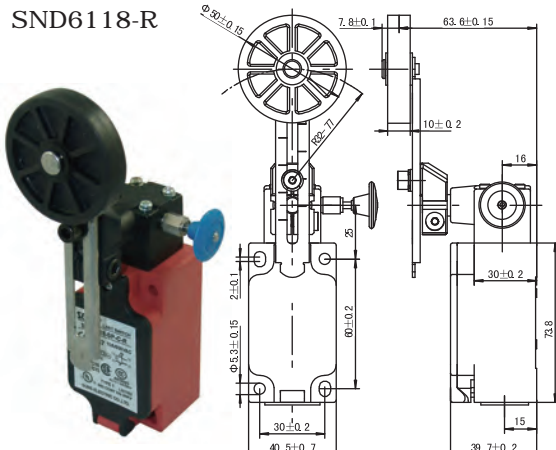
Order Code	Contact block	SP	SL	SL1	SL2
SND6108-SP-_R	SP	→	→	→	→
SND6108-SL-_R	SL	→	→	→	→
SND6108-SL1-_R	SL1	→	→	→	→
SND6108-SL2-_R	SL2	→	→	→	→

SND6114-R



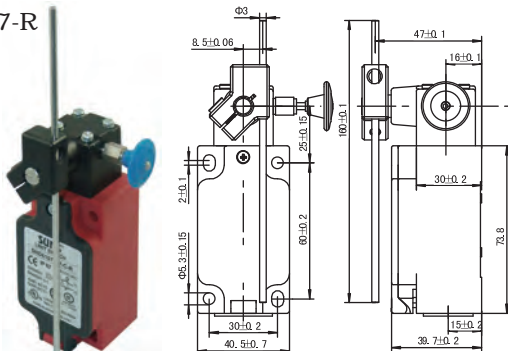
Order Code	Contact block	SP	SL	SL1	SL2
SND6114-SP-_R	SP	→	→	→	→
SND6114-SL-_R	SL	→	→	→	→
SND6114-SL1-_R	SL1	→	→	→	→
SND6114-SL2-_R	SL2	→	→	→	→

SND6118-R



Order Code	Contact block	SP	SL	SL1	SL2
SND6118-SP-_R	SP	→	→	→	→
SND6118-SL-_R	SL	→	→	→	→
SND6118-SL1-_R	SL1	→	→	→	→
SND6118-SL2-_R	SL2	→	→	→	→

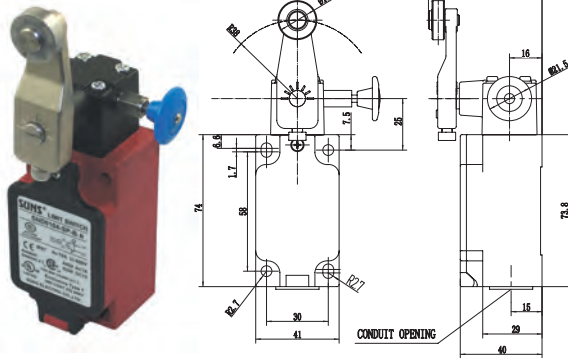
SND6107-R



Order Code	Contact block	SP	SL	SL1	SL2
SND6107-SP-_	SP	→	→	→	→
SND6107-SL-_	SL	→	→	→	→
SND6107-SL1-_	SL1	→	→	→	→
SND6107-SL2-_	SL2	→	→	→	→

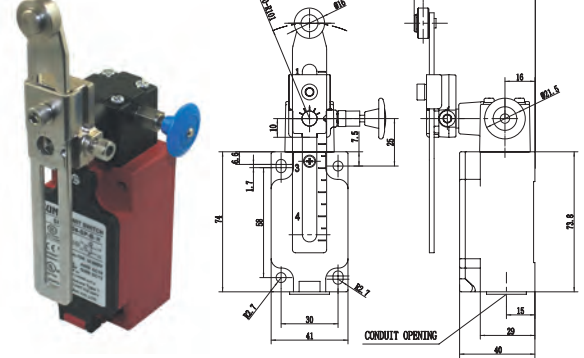
GLOBAL STYLE SAFETY LIMIT SWITCHES (Plastic Bodied EN50041 TYPE) SND6 SERIES (SINGLE CONDUIT ENTRY WITH RESET)

SND6104-R(AB)



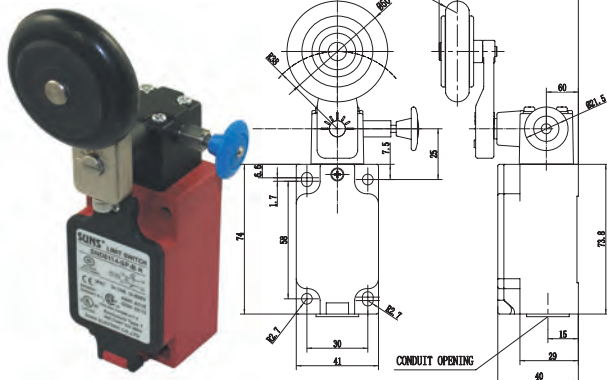
Order Code	Contact block	SP	SL	SL1	SL2
SND6104-SP- _R(AB)	SP	→	→	→	→
SND6104-SL- _R(AB)	SL	→	→	→	→
SND6104-SL1- _R(AB)	SL1	→	→	→	→
SND6104-SL2- _R(AB)	SL2	→	→	→	→

SND6108-R(AB)



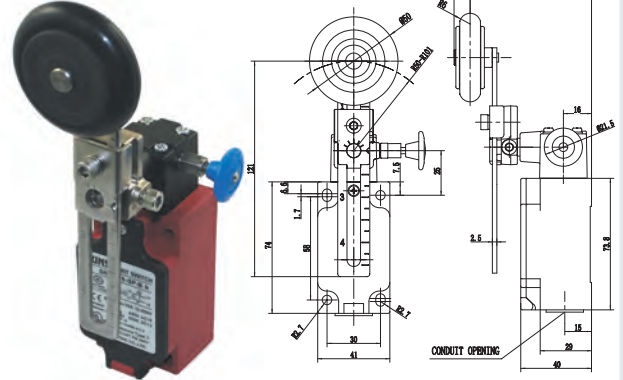
Order Code	Contact block	SP	SL	SL1	SL2
SND6108-SP- _R(AB)	SP	→	→	→	→
SND6108-SL- _R(AB)	SL	→	→	→	→
SND6108-SL1- _R(AB)	SL1	→	→	→	→
SND6108-SL2- _R(AB)	SL2	→	→	→	→

SND6114-R(AB)



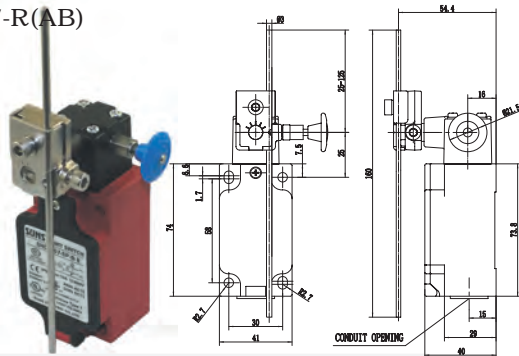
Order Code	Contact block	SP	SL	SL1	SL2
SND6114-SP- _R(AB)	SP	→	→	→	→
SND6114-SL- _R(AB)	SL	→	→	→	→
SND6114-SL1- _R(AB)	SL1	→	→	→	→
SND6114-SL2- _R(AB)	SL2	→	→	→	→

SND6118-R(AB)



Order Code	Contact block	SP	SL	SL1	SL2
SND6118-SP- _R(AB)	SP	→	→	→	→
SND6118-SL- _R(AB)	SL	→	→	→	→
SND6118-SL1- _R(AB)	SL1	→	→	→	→
SND6118-SL2- _R(AB)	SL2	→	→	→	→

SND6107-R(AB)



Order Code	Contact block	SP	SL	SL1	SL2
SND6107-SP- _R(AB)	SP	→	→	→	→
SND6107-SL- _R(AB)	SL	→	→	→	→
SND6107-SL1- _R(AB)	SL1	→	→	→	→
SND6107-SL2- _R(AB)	SL2	→	→	→	→

See page 9 and page 10 for additional heads

GLOBAL STYLE SAFETY LIMIT SWITCHES (MINI PLASTIC BODIED) SMN SERIES (SINGLE CONDUIT ENTRY)

SUNS products are safe and reliable products which are widely used in various mechanical devices.



Features

- Glass fiber reinforced plastic body
- Easily interchangeable contact block
- Galvanically separated contacts
- Screw terminals with self-lifting clamps for easy wiring
- Positive Opening of NC contacts
- Suitable for front mounting
- Cable entry: Rectangle 8.5 x 3.5 mm

Definitions of Operating Characteristics

- OF Operating Force
- RF Releasing Force
- OT Overtravel
- TT Total Travel
- PT Pretravel
- MD Movement Differential
- OP Operating Position
- PO Travel to Positive Opening



Specifications

Operating Speed	0.05mm-2m/sec
Operating Frequency	Mechanical: 120ops/min Electrical: 30 ops/min
Insulation Resistance	>100MΩ@500V DC
Contact Resistance	<25mΩ (initial value)
Rated Thermal Current	10A/600V AC (EN60947-5-1) AC15 A600 / DC13 Q300
Dielectric Strength	1000VAC for 1 min between current carrying parts 2500VAC for 1 min between non-current carrying parts
Service Life	Mechanically 1.0 x10 ⁷ (operations) Electrically 5 x10 ⁵ (operations)
Operating Temperature	-25~+80°C (-13~176°F) with no icing
Humidity	< 95%RH
Weight	35-80g
Degree of Protection	IP30

Selection Guide:

SMN
Body
Styles

-

SP

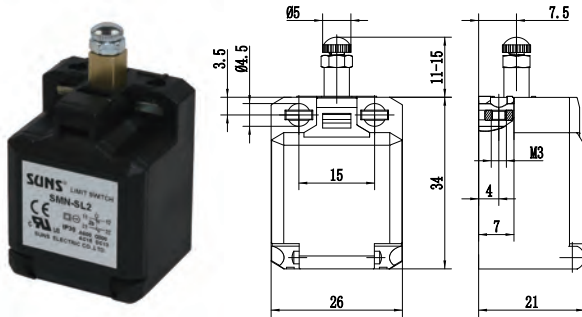
- SP: 1NO/1NC Snap action
- SL: BBM 1NO/1NC Slow Action changeover
- SL2: 2NC Slow Action
- SL3: 2NO Slow Action

(11A)

Head Styles

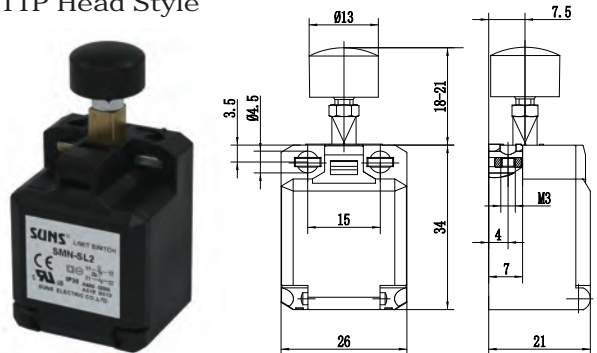
GLOBAL STYLE SAFETY LIMIT SWITCHES (MINI PLASTIC BODIED) SMN SERIES (SINGLE CONDUIT ENTRY)

11A Head Style



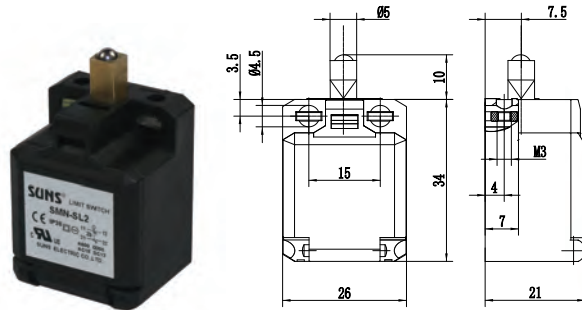
Order Code	Contact block			
SMN-SP(11A)	SP	⊕	snap action	1NO+1NC
SMN-SL(11A)	SL	⊕	slow action	1NO+1NC BBM
SMN-SL2(11A)	SL2	⊕	slow action	2NC
SMN-SL3(11A)	SL3		slow action	2NO

11P Head Style



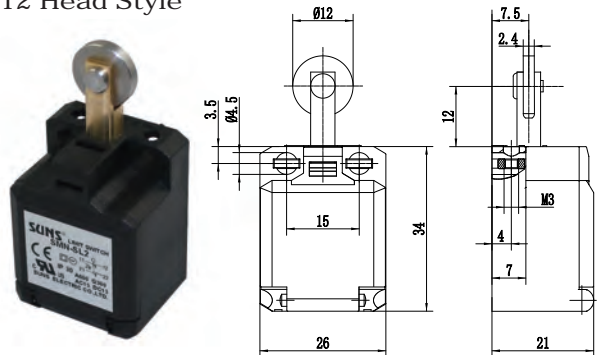
Order Code	Contact block			
SMN-SP(11P)	SP	⊕	snap action	1NO+1NC
SMN-SL(11P)	SL	⊕	slow action	1NO+1NC BBM
SMN-SL2(11P)	SL2	⊕	slow action	2NC
SMN-SL3(11P)	SL3		slow action	2NO

11B Head Style



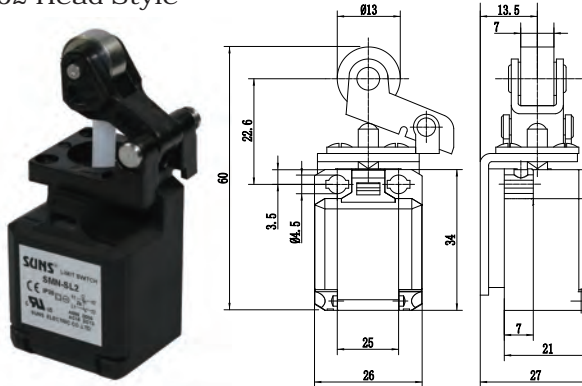
Order Code	Contact block			
SMN-SP(11B)	SP	⊕	snap action	1NO+1NC
SMN-SL(11B)	SL	⊕	slow action	1NO+1NC BBM
SMN-SL2(11B)	SL2	⊕	slow action	2NC
SMN-SL3(11B)	SL3		slow action	2NO

12 Head Style



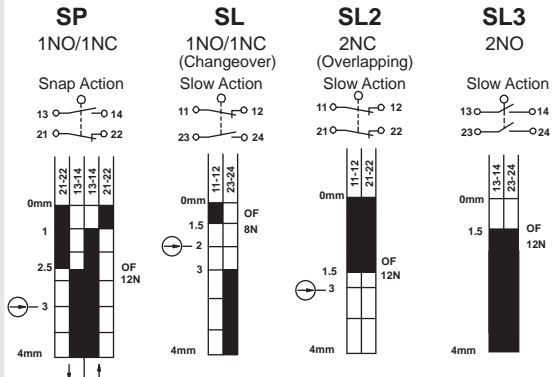
Order Code	Contact block			
SMN-SP(12)	SP	⊕	snap action	1NO+1NC
SMN-SL(12)	SL	⊕	slow action	1NO+1NC BBM
SMN-SL2(12)	SL2	⊕	slow action	2NC
SMN-SL3(12)	SL3		slow action	2NO

62 Head Style



Order Code	Contact block			
SMN-SP(62)	SP	⊕	snap action	1NO+1NC
SMN-SL(62)	SL	⊕	slow action	1NO+1NC BBM
SMN-SL2(62)	SL2	⊕	slow action	2NC
SMN-SL3(62)	SL3		slow action	2NO

Travel diagrams



GLOBAL STYLE SAFETY LIMIT SWITCHES (MINI PLASTIC BODIED EN50047 TYPE) SMN4 SERIES (SINGLE CONDUIT ENTRY)

SUNS products are safe and reliable products which are widely used in various mechanical devices.



Features

- Glass fiber reinforced plastic body
- Easily interchangeable contact block
- Galvanically separated contacts
- Screw terminals with self-lifting clamps for easy wiring
- Positive Opening of NC contacts
- 4 x 90° actuator positions
- Cable entry available: M20, PG13.5 and 1/2"NPT
- Conform to EN 50047 standard

Definitions of Operating Characteristics

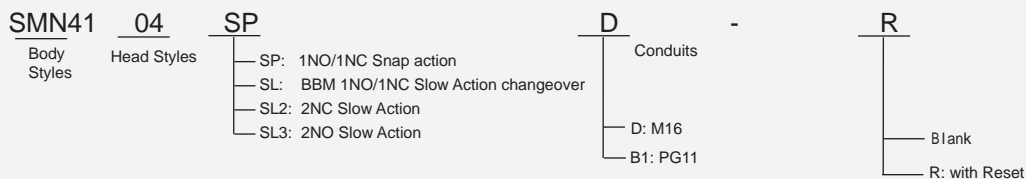
- OF Operating Force
- RF Releasing Force
- OT Overtravel
- TT Total Travel
- PT Pretravel
- MD Movement Differential
- OP Operating Position
- PO Travel to Positive Opening



Specifications

Operating Speed	0.05mm-2m/sec
Operating Frequency	Mechanical: 120ops/min Electrical: 30 ops/min
Insulation Resistance	>100MΩ@500V DC
Contact Resistance	<25mΩ (initial value)
Rated Thermal Current	10A/600V AC (EN60947-5-1) AC15 A600 / DC13 Q300
Dielectric Strength	1000VAC for 1 min between current carrying parts 2500VAC for 1 min between non-current carrying parts
Service Life	Mechanically 1.0 x10 ⁷ (operations) Electrically 5 x10 ⁵ (operations)
Operating Temperature	-25~+80°C (-13~176°F) with no icing
Humidity	< 95%RH
Weight	40-90g
Degree of Protection	IP66

Selection Guide:



GLOBAL STYLE SAFETY LIMIT SWITCHES (MINI PLASTIC BODIED EN50047 TYPE) SMN4 SERIES (SINGLE CONDUIT ENTRY)

Available contact blocks and travel diagrams



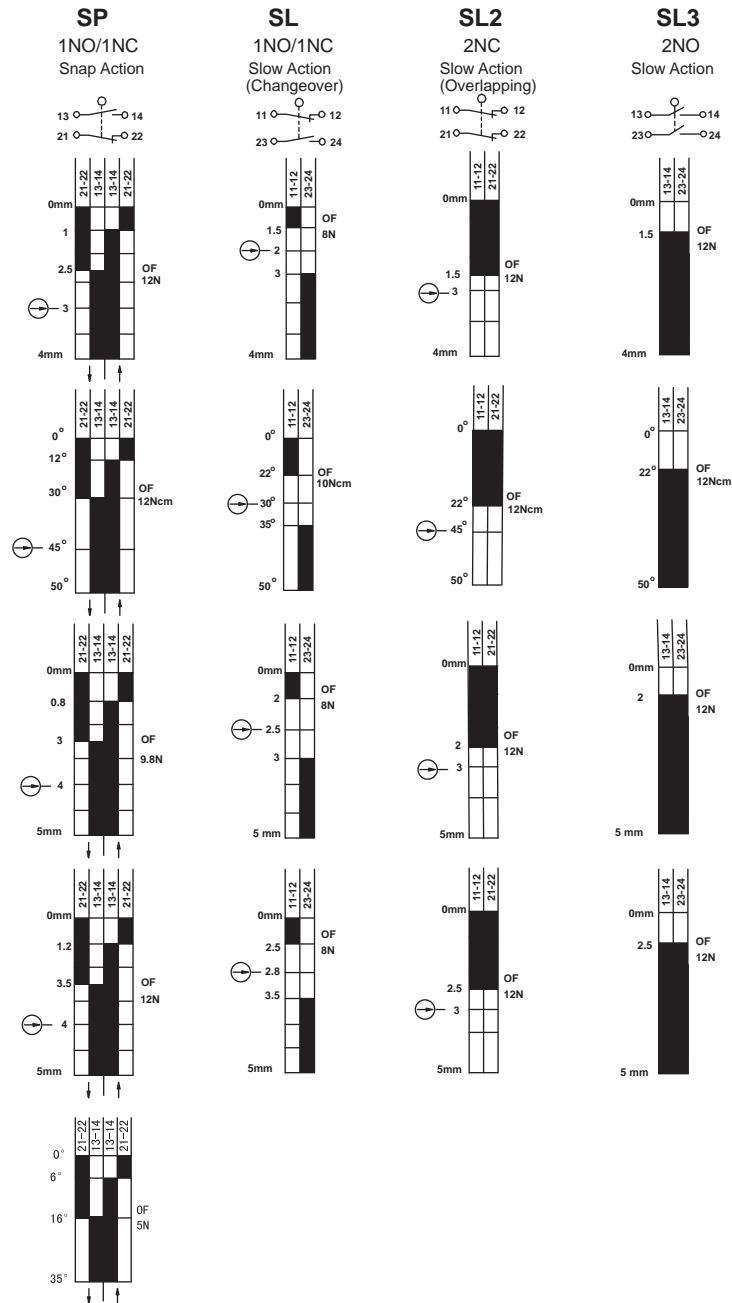
Plunger type
11,12,31,32 Styles

Side rotary type
04, 07, 08, 14, 18 Styles

62, 63 Styles

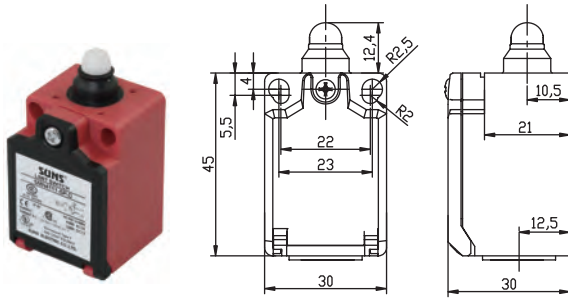
72, 73 Styles

00, 66,69 Styles



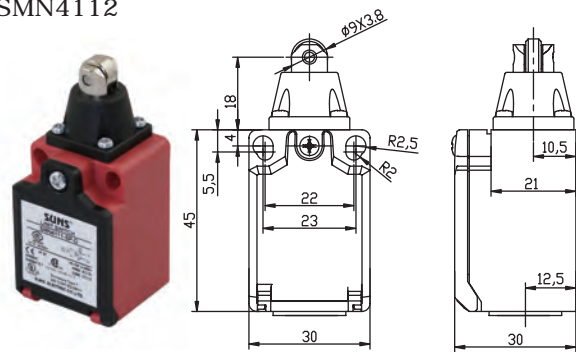
GLOBAL STYLE SAFETY LIMIT SWITCHES (MINI PLASTIC BODIED EN50047 TYPE) SMN4 SERIES (SINGLE CONDUIT ENTRY)

SMN4111



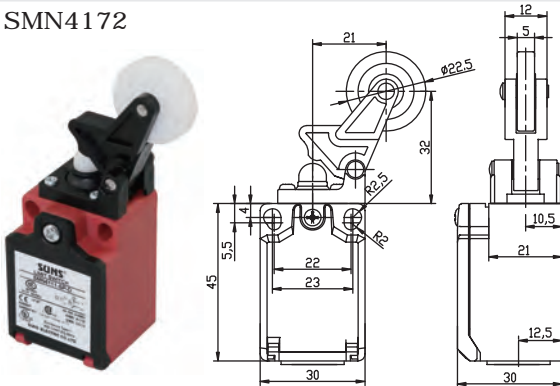
Order Code	Contact block			
SMN4111-SP- _	SP	↻	snap action	1NO+1NC
SMN4111-SL- _	SL	↻	slow action	1NO+1NC BBM
SMN4111-SL2- _	SL2	↻	slow action	2NC
SMN4111-SL3- _	SL3		slow action	2NO

SMN4112



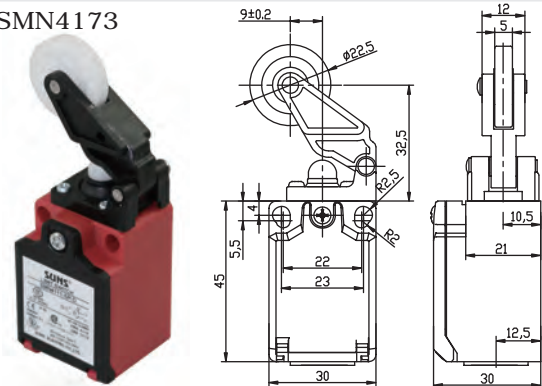
Order Code	Contact block			
SMN4112-SP- _	SP	↻	snap action	1NO+1NC
SMN4112-SL- _	SL	↻	slow action	1NO+1NC BBM
SMN4112-SL2- _	SL2	↻	slow action	2NC
SMN4112-SL3- _	SL3		slow action	2NO

SMN4172



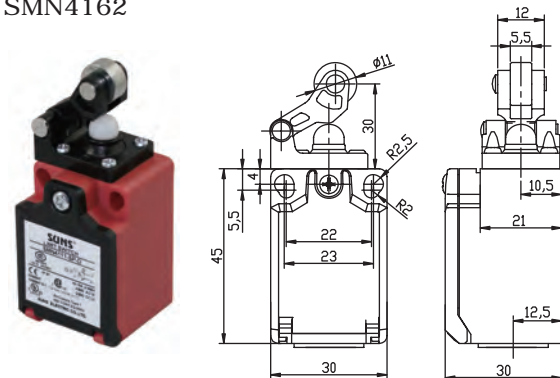
Order Code	Contact block			
SMN4172-SP- _	SP	↻	snap action	1NO+1NC
SMN4172-SL- _	SL	↻	slow action	1NO+1NC BBM
SMN4172-SL2- _	SL2	↻	slow action	2NC
SMN4172-SL3- _	SL3		slow action	2NO

SMN4173



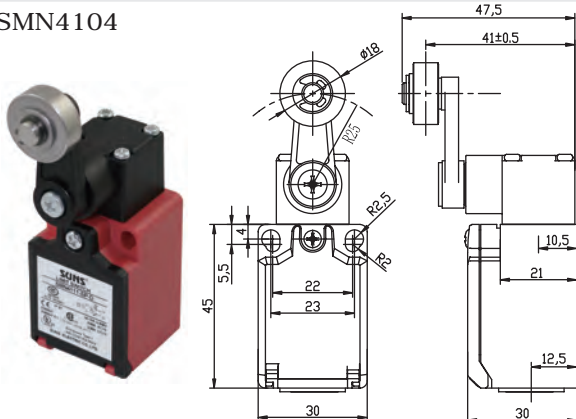
Order Code	Contact block			
SMN4173-SP- _	SP	↻	snap action	1NO+1NC
SMN4173-SL- _	SL	↻	slow action	1NO+1NC BBM
SMN4173-SL2- _	SL2	↻	slow action	2NC
SMN4173-SL3- _	SL3		slow action	2NO

SMN4162



Order Code	Contact block			
SMN4162-SP- _	SP	↻	snap action	1NO+1NC
SMN4162-SL- _	SL	↻	slow action	1NO+1NC BBM
SMN4162-SL2- _	SL2	↻	slow action	2NC
SMN4162-SL3- _	SL3		slow action	2NO

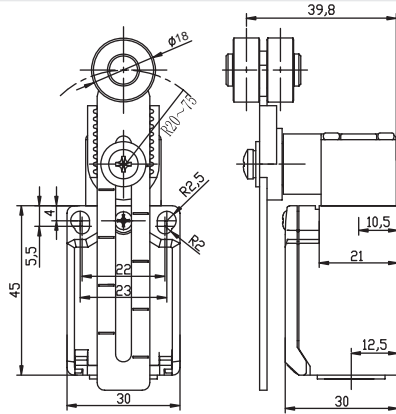
SMN4104



Order Code	Contact block			
SMN4104-SP- _	SP	↻	snap action	1NO+1NC
SMN4104-SL- _	SL	↻	slow action	1NO+1NC BBM
SMN4104-SL2- _	SL2	↻	slow action	2NC
SMN4104-SL3- _	SL3		slow action	2NO

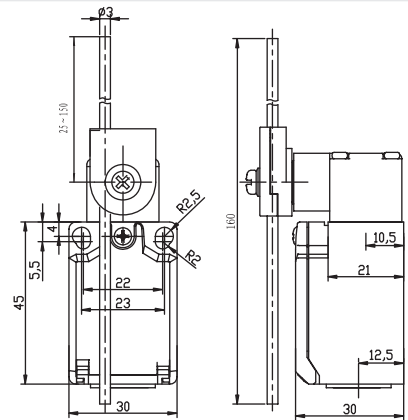
GLOBAL STYLE SAFETY LIMIT SWITCHES (MINI PLASTIC BODIED EN50047 TYPE) SMN4 SERIES (SINGLE CONDUIT ENTRY)

SMN4108



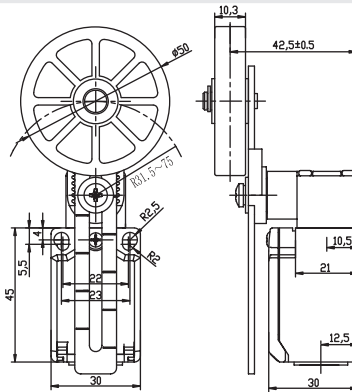
Order Code	Contact block	SP	SL	SL2	SL3	SNAP ACTION	SLOW ACTION	1NO+1NC	1NO+1NC BBM	2NC	2NO
SMN4108-SP- _	SP	⊕	⊕	⊕		SNAP ACTION		1NO+1NC			
SMN4108-SL- _	SL		⊕				SLOW ACTION	1NO+1NC	BBM		
SMN4108-SL2- _	SL2			⊕			SLOW ACTION	2NC			
SMN4108-SL3- _	SL3				⊕		SLOW ACTION	2NO			

SMN4107



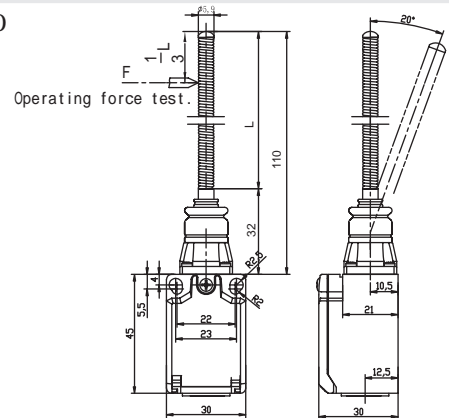
Order Code	Contact block	SP	SL	SL2	SL3	SNAP ACTION	SLOW ACTION	1NO+1NC	1NO+1NC BBM	2NC	2NO
SMN4107-SP- _	SP	⊕	⊕	⊕		SNAP ACTION		1NO+1NC			
SMN4107-SL- _	SL		⊕				SLOW ACTION	1NO+1NC	BBM		
SMN4107-SL2- _	SL2			⊕			SLOW ACTION	2NC			
SMN4107-SL3- _	SL3				⊕		SLOW ACTION	2NO			

SMN4118



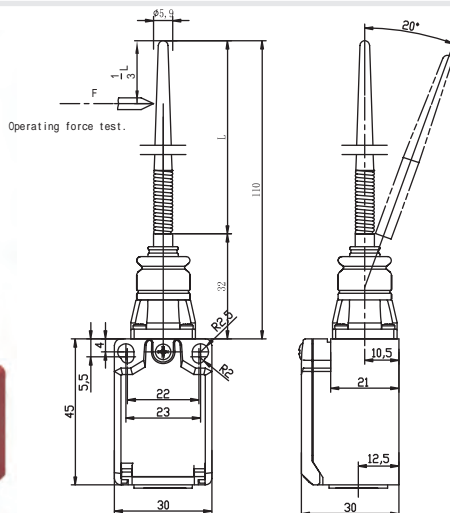
Order Code	Contact block	SP	SL	SL2	SL3	SNAP ACTION	SLOW ACTION	1NO+1NC	1NO+1NC BBM	2NC	2NO
SMN4118-SP- _	SP	⊕	⊕	⊕		SNAP ACTION		1NO+1NC			
SMN4118-SL- _	SL		⊕				SLOW ACTION	1NO+1NC	BBM		
SMN4118-SL2- _	SL2			⊕			SLOW ACTION	2NC			
SMN4118-SL3- _	SL3				⊕		SLOW ACTION	2NO			

SMN4100



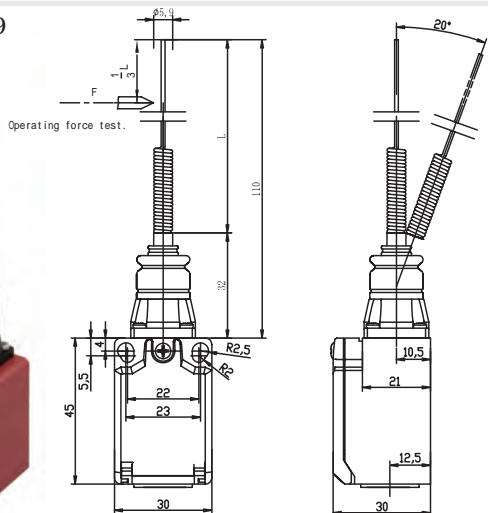
Order Code	Contact block	SP	SNAP ACTION	1NO+1NC
SMN4100-SP- _	SP	⊕	SNAP ACTION	1NO+1NC

SMN4166



Order Code	Contact block	SP	SNAP ACTION	1NO+1NC
SMN4166-SP- _	SP	⊕	SNAP ACTION	1NO+1NC

SMN4169



Order Code	Contact block	SP	SNAP ACTION	1NO+1NC
SMN4169-SP- _	SP	⊕	SNAP ACTION	1NO+1NC

GLOBAL STYLE SAFETY LIMIT SWITCHES (PLASTIC BODIED EN50047 TYPE) SND4 SERIES (SINGLE CONDUIT ENTRY)

SUNS products are safe and reliable products which are widely used in various mechanical devices.



Features

- Glass fiber reinforced plastic body
- Easily interchangeable contact block
- Galvanically separated contacts
- Screw terminals with self-lifting clamps for easy wiring
- Positive Opening of NC contacts
- 4 x 90° actuator positions
- Cable entry available: M20, PG13.5 and 1/2"NPT
- Conform to EN 50047 standard

Definitions of Operating Characteristics

OF	Operating Force	
RF	Releasing Force	
OT	Overtravel	
TT	Total Travel	
PT	Pretravel	
MD	Movement Differential	<input type="checkbox"/> ON <input type="checkbox"/> OFF
OP	Operating Position	
PO	Travel to Positive Opening	

Specifications

Operating Speed	0.05mm-2m/sec
Operating Frequency	Mechanical: 120ops/min Electrical: 30 ops/min
Insulation Resistance	>100MΩ@500V DC
Contact Resistance	<25mΩ (initial value)
Rated Thermal Current	10A/600V AC (EN60947-5-1) AC15 A600 / DC13 Q300
Dielectric Strength	1000VAC for 1 min between current carrying parts 2500VAC for 1 min between non-current carrying parts
Service Life	Mechanically 1.0 x10 ⁷ (operations) Electrically 5 x10 ⁵ (operations)
Operating Temperature	-25~+80°C (-13~176°F) with no icing
Humidity	< 95%RH
Weight	50-100g
Degree of Protection	IP67

Selection Guide:

SND41	04	SP	C	-	R
Body Styles	Head Styles	<ul style="list-style-type: none"> — SP: 1NO/1NC Snap action — SPT: 2NO/2NC Snap action — SL: BBM 1NO/1NC Slow Action changeover — SL1: MBB 1NO/1NC Slow Action Overlapping — SL2: 2NC Slow Action — SL3: 2NO Slow Action — SL4: 3NC Slow Action — SL5: 3NO Slow Action — SL6: BBM 2NC/1NO Slow Action changeover — SL7: MBB 2NC/1NO Slow Action Overlapping — SL8: BBM 2NO/1NC Slow Action changeover — SL9: MBB 2NO/1NC Slow Action Overlapping 	<ul style="list-style-type: none"> — Conduits — A: 1/2"NPT — B: PG13.5 — C: M20 — D: M16 — B1: PG11 		<ul style="list-style-type: none"> — Blank — R: with Reset — N: Neutral position (for rotary SL2 only)

GLOBAL STYLE SAFETY LIMIT SWITCHES (PLASTIC BODIED EN50047 TYPE) SND4 SERIES (SINGLE CONDUIT ENTRY)

Available contact blocks and travel diagrams



Plunger type
11, 12, 31, 32 Styles

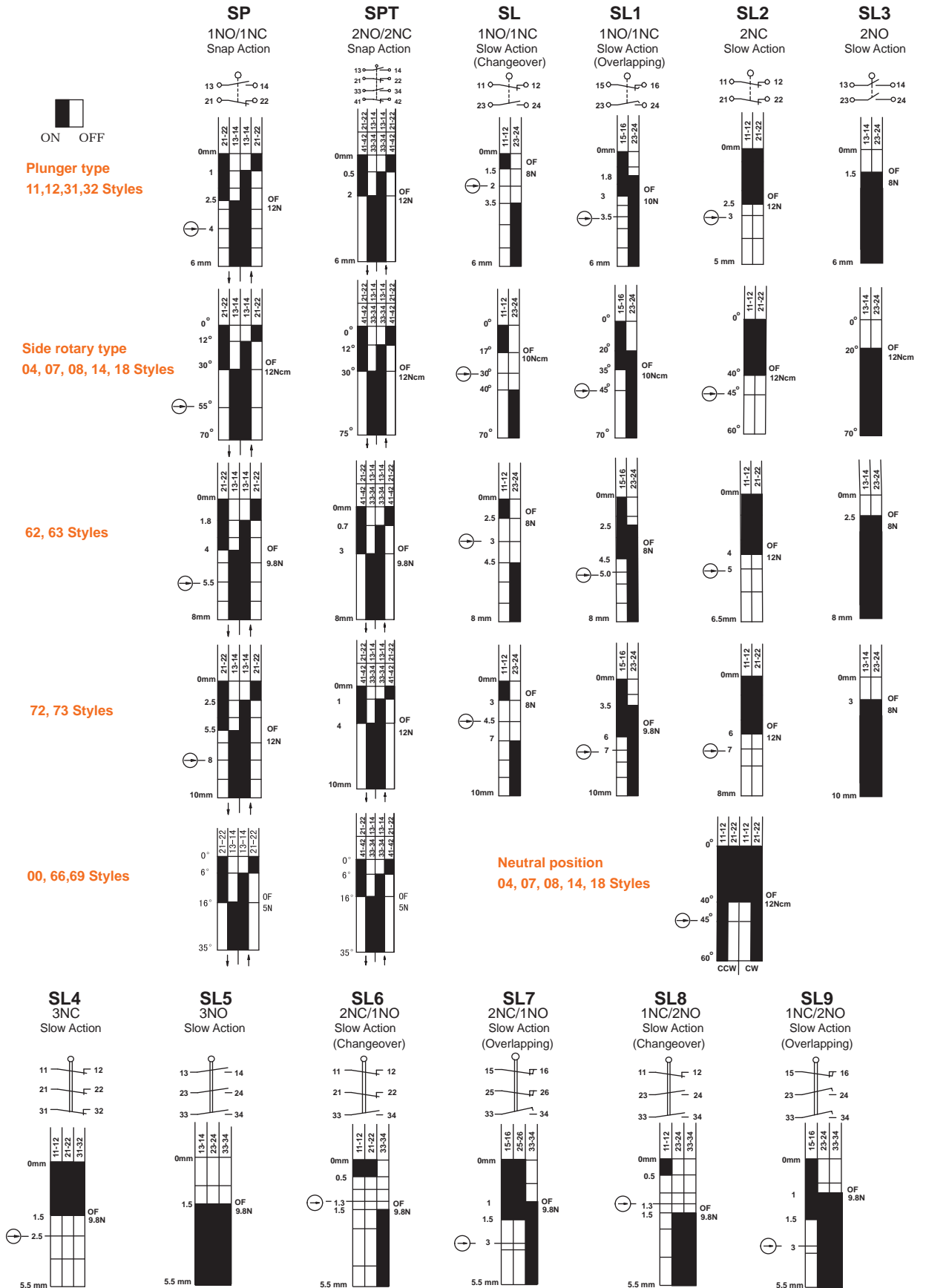
Side rotary type
04, 07, 08, 14, 18 Styles

62, 63 Styles

72, 73 Styles

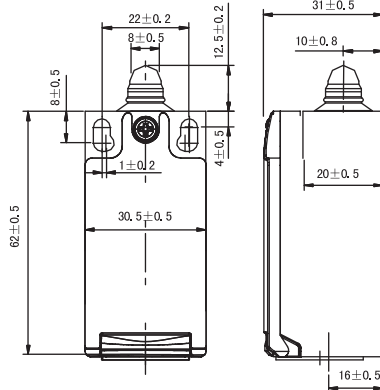
00, 66, 69 Styles

Neutral position
04, 07, 08, 14, 18 Styles



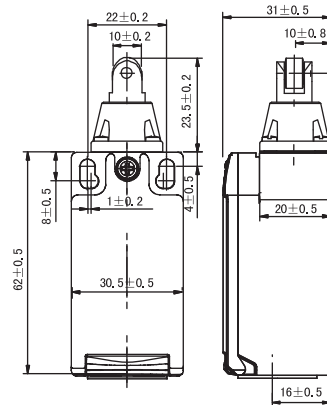
GLOBAL STYLE SAFETY LIMIT SWITCHES (PLASTIC BODIED EN50047 TYPE) SND4 SERIES (SINGLE CONDUIT ENTRY)

SND4111



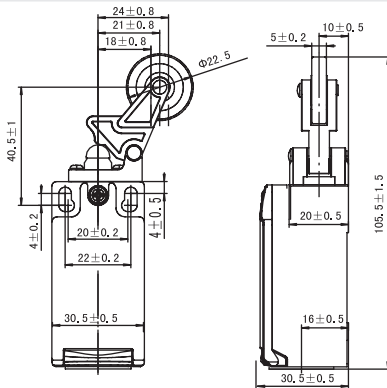
Order Code	Contact block			
SND4111-SP- _	SP	↻	snap action	1NO+1NC
SND4111-SL- _	SL	↻	slow action	1NO+1NC BBM
SND4111-SL1- _	SL1	↻	slow action	1NO+1NC MBB
SND4111-SL2- _	SL2	↻	slow action	2NC

SND4112



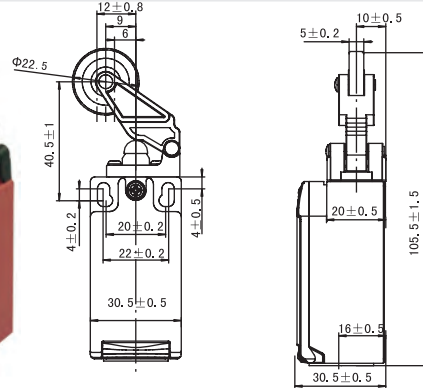
Order Code	Contact block			
SND4112-SP- _	SP	↻	snap action	1NO+1NC
SND4112-SL- _	SL	↻	slow action	1NO+1NC BBM
SND4112-SL1- _	SL1	↻	slow action	1NO+1NC MBB
SND4112-SL2- _	SL2	↻	slow action	2NC

SND4172



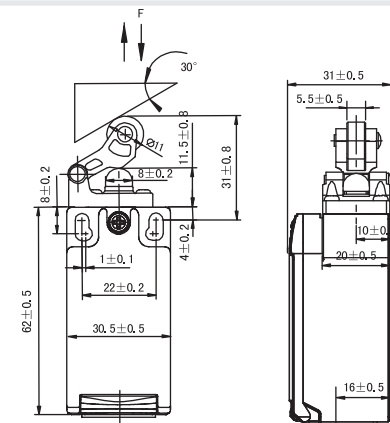
Order Code	Contact block			
SND4172-SP- _	SP	↻	snap action	1NO+1NC
SND4172-SL- _	SL	↻	slow action	1NO+1NC BBM
SND4172-SL1- _	SL1	↻	slow action	1NO+1NC MBB
SND4172-SL2- _	SL2	↻	slow action	2NC

SND4173



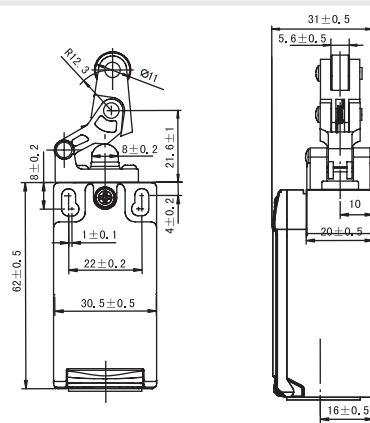
Order Code	Contact block			
SND4173-SP- _	SP	↻	snap action	1NO+1NC
SND4173-SL- _	SL	↻	slow action	1NO+1NC BBM
SND4173-SL1- _	SL1	↻	slow action	1NO+1NC MBB
SND4173-SL2- _	SL2	↻	slow action	2NC

SND4162



Order Code	Contact block			
SND4162-SP- _	SP	↻	snap action	1NO+1NC
SND4162-SL- _	SL	↻	slow action	1NO+1NC BBM
SND4162-SL1- _	SL1	↻	slow action	1NO+1NC MBB
SND4162-SL2- _	SL2	↻	slow action	2NC

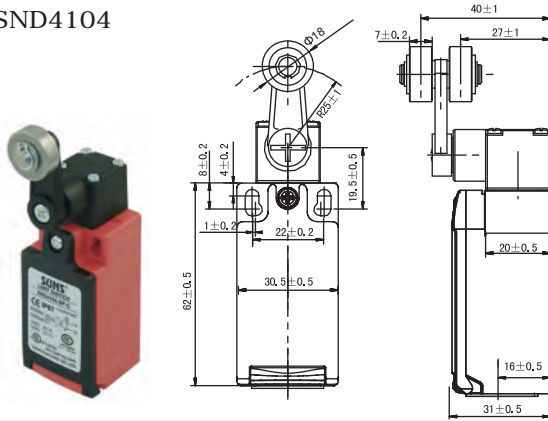
SND4163



Order Code	Contact block			
SND4163-SP- _	SP	↻	snap action	1NO+1NC
SND4163-SL- _	SL	↻	slow action	1NO+1NC BBM
SND4163-SL1- _	SL1	↻	slow action	1NO+1NC MBB
SND4163-SL2- _	SL2	↻	slow action	2NC

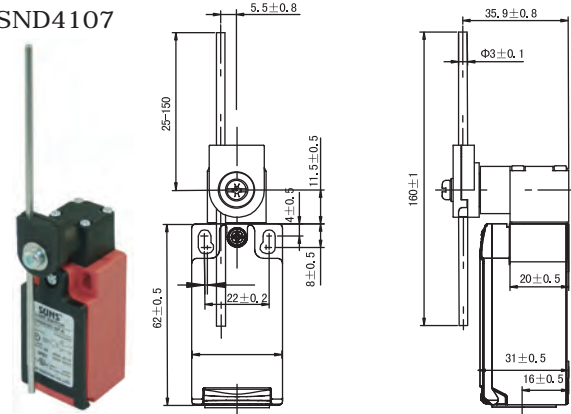
GLOBAL STYLE SAFETY LIMIT SWITCHES (PLASTIC BODIED EN50047 TYPE) SND4 SERIES (SINGLE CONDUIT ENTRY)

SND4104



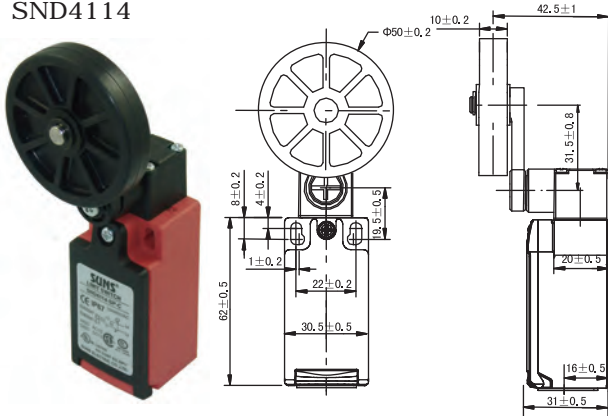
Order Code	Contact block	SP	SL	SL1	SL2	SNAP ACTION	BBM	MBB	Neutral position
SND4104-SP- _	SP	+				+			
SND4104-SL- _	SL		+				+		
SND4104-SL1- _	SL1			+				+	
SND4104-SL2- _N	SL2				+				+

SND4107



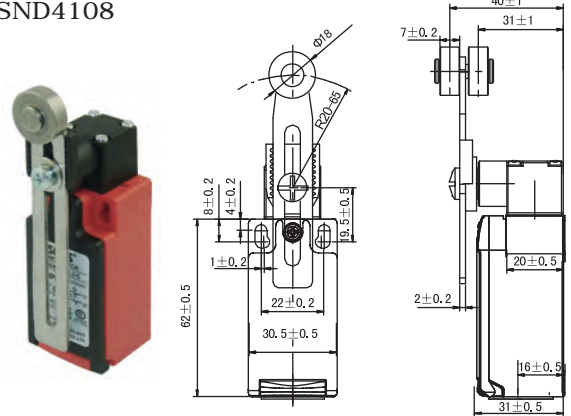
Order Code	Contact block	SP	SL	SL1	SL2	SNAP ACTION	BBM	MBB	Neutral position
SND4107-SP- _	SP	+				+			
SND4107-SL- _	SL		+				+		
SND4107-SL1- _	SL1			+				+	
SND4107-SL2- _N	SL2				+				+

SND4114



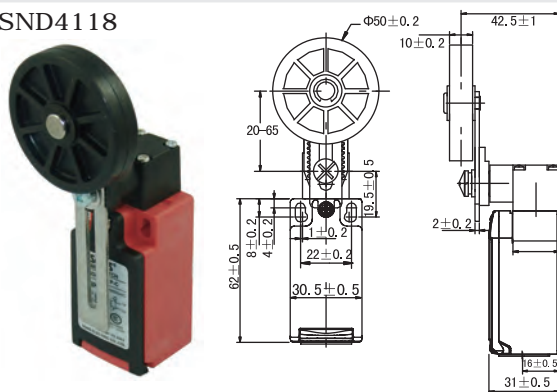
Order Code	Contact block	SP	SL	SL1	SL2	SNAP ACTION	BBM	MBB	Neutral position
SND4114-SP- _	SP	+				+			
SND4114-SL- _	SL		+				+		
SND4114-SL1- _	SL1			+				+	
SND4114-SL2- _N	SL2				+				+

SND4108



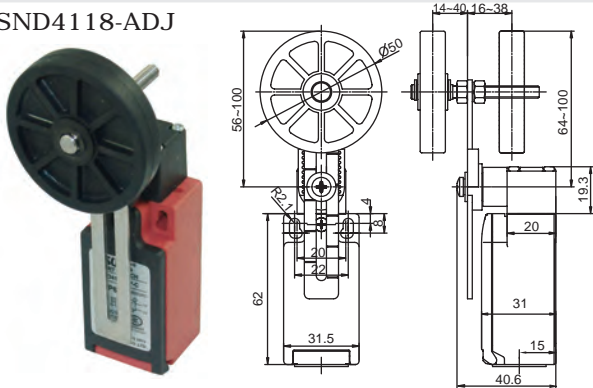
Order Code	Contact block	SP	SL	SL1	SL2	SNAP ACTION	BBM	MBB	Neutral position
SND4108-SP- _	SP	+				+			
SND4108-SL- _	SL		+				+		
SND4108-SL1- _	SL1			+				+	
SND4108-SL2- _N	SL2				+				+

SND4118



Order Code	Contact block	SP	SL	SL1	SL2	SNAP ACTION	BBM	MBB	Neutral position
SND4118-SP- _	SP	+				+			
SND4118-SL- _	SL		+				+		
SND4118-SL1- _	SL1			+				+	
SND4118-SL2- _N	SL2				+				+

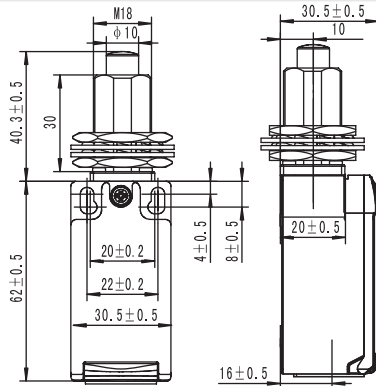
SND4118-ADJ



Order Code	Contact block	SP	SL	SL1	SL2	SNAP ACTION	BBM	MBB	Neutral position
SND4118-SP- _ADJ	SP	+				+			
SND4118-SL- _ADJ	SL		+				+		
SND4118-SL1- _ADJ	SL1			+				+	
SND4118-SL2- _ADJ_N	SL2				+				+

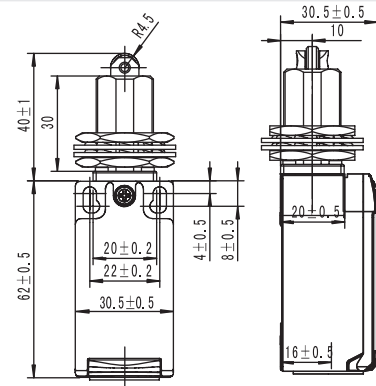
GLOBAL STYLE SAFETY LIMIT SWITCHES (PLASTIC BODIED EN50047 TYPE) SND4 SERIES (SINGLE CONDUIT ENTRY)

SND4131



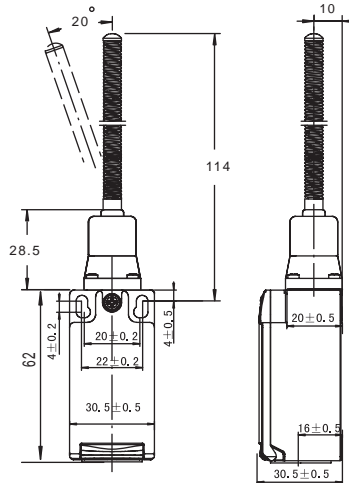
Order Code	Contact block			
SND4131-SP- _	SP		snap action	1NO+1NC
SND4131-SL- _	SL		slow action	1NO+1NC BBM
SND4131-SL1- _	SL1		slow action	1NO+1NC MBB
SND4131-SL2- _	SL2		slow action	2NC

SND4132



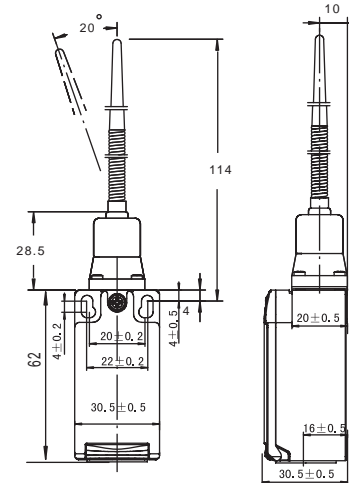
Order Code	Contact block			
SND4132-SP- _	SP		snap action	1NO+1NC
SND4132-SL- _	SL		slow action	1NO+1NC BBM
SND4132-SL1- _	SL1		slow action	1NO+1NC MBB
SND4132-SL2- _	SL2		slow action	2NC

SND4100



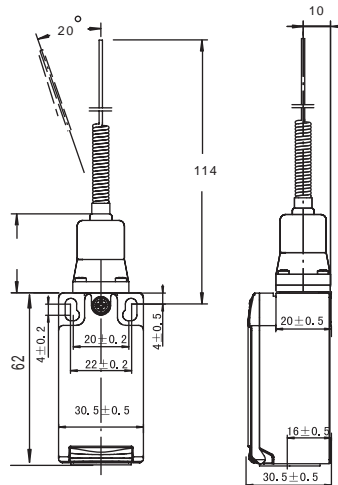
Order Code	Contact block			
SND4100-SP- _	SP		snap action	1NO+1NC

SND4166



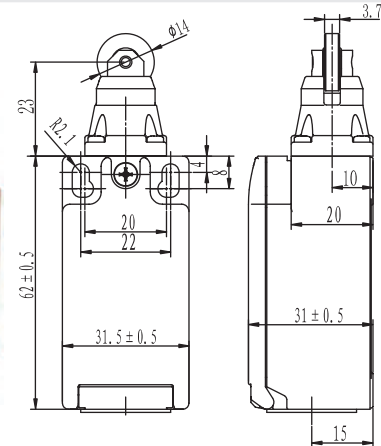
Order Code	Contact block			
SND4166-SP- _	SP		snap action	1NO+1NC

SND4169



Order Code	Contact block			
SND4169-SP- _	SP		snap action	1NO+1NC

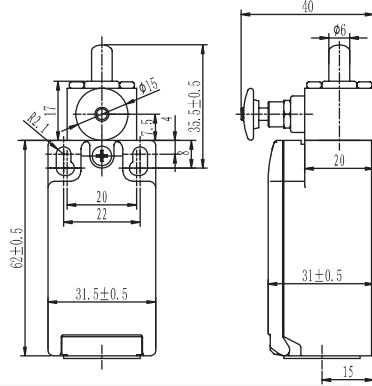
SND4112-L



Order Code	Contact block			
SND4112-SP- _L	SP		snap action	1NO+1NC
SND4112-SL- _L	SL		slow action	1NO+1NC BBM
SND4112-SL1- _L	SL1		slow action	1NO+1NC MBB
SND4112-SL2- _L	SL2		slow action	2NC

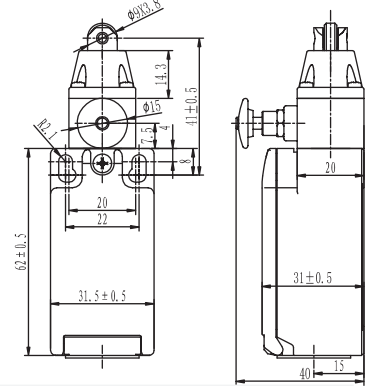
GLOBAL STYLE SAFETY LIMIT SWITCHES (PLASTIC BODIED EN50047 TYPE) SND4 SERIES (SINGLE CONDUIT ENTRY WITH RESET)

SND4111-R



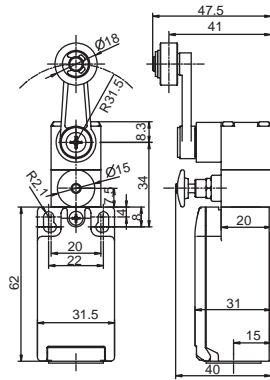
Order Code	Contact block		
SND4111-SP- _R	SP	→	snap action 1NO+1NC
SND4111-SL- _R	SL	→	slow action 1NO+1NC BBM
SND4111-SL1- _R	SL1	→	slow action 1NO+1NC MBB
SND4111-SL2- _R	SL2	→	slow action 2NC

SND4112-R



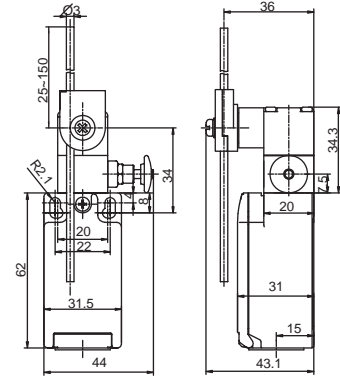
Order Code	Contact block		
SND4112-SP- _R	SP	→	snap action 1NO+1NC
SND4112-SL- _R	SL	→	slow action 1NO+1NC BBM
SND4112-SL1- _R	SL1	→	slow action 1NO+1NC MBB
SND4112-SL2- _R	SL2	→	slow action 2NC

SND4104-R



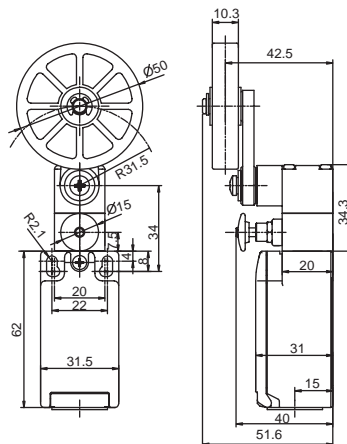
Order Code	Contact block		
SND4104-SP- _R	SP	→	snap action 1NO+1NC
SND4104-SL- _R	SL	→	slow action 1NO+1NC BBM
SND4104-SL1- _R	SL1	→	slow action 1NO+1NC MBB
SND4104-SL2- _R	SL2	→	slow action 2NC

SND4107-R



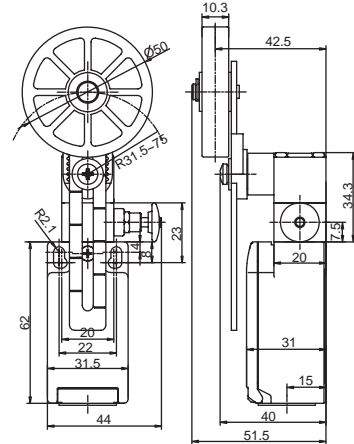
Order Code	Contact block		
SND4107-SP- _R	SP	→	snap action 1NO+1NC
SND4107-SL- _R	SL	→	slow action 1NO+1NC BBM
SND4107-SL1- _R	SL1	→	slow action 1NO+1NC MBB
SND4107-SL2- _R	SL2	→	slow action 2NC

SND4114-R



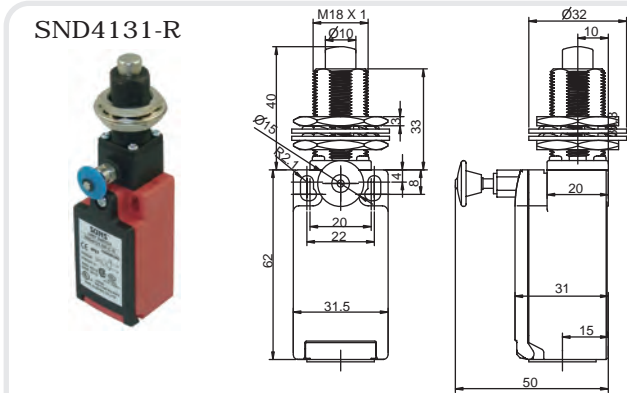
Order Code	Contact block		
SND4114-SP- _R	SP	→	snap action 1NO+1NC
SND4114-SL- _R	SL	→	slow action 1NO+1NC BBM
SND4114-SL1- _R	SL1	→	slow action 1NO+1NC MBB
SND4114-SL2- _R	SL2	→	slow action 2NC

SND4118-R

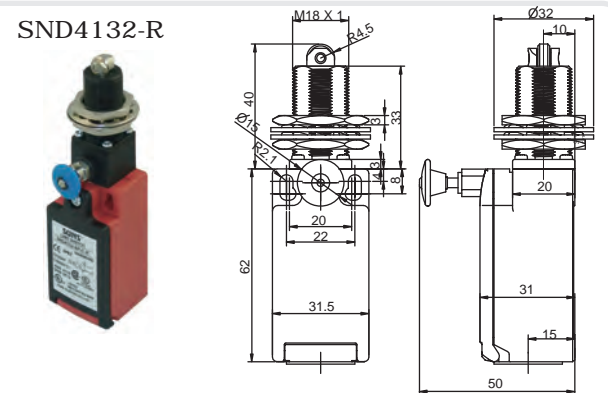


Order Code	Contact block		
SND4118-SP- _R	SP	→	snap action 1NO+1NC
SND4118-SL- _R	SL	→	slow action 1NO+1NC BBM
SND4118-SL1- _R	SL1	→	slow action 1NO+1NC MBB
SND4118-SL2- _R	SL2	→	slow action 2NC

GLOBAL STYLE SAFETY LIMIT SWITCHES (PLASTIC BODIED EN50047 TYPE) SND4 SERIES (SINGLE CONDUIT ENTRY WITH RESET)



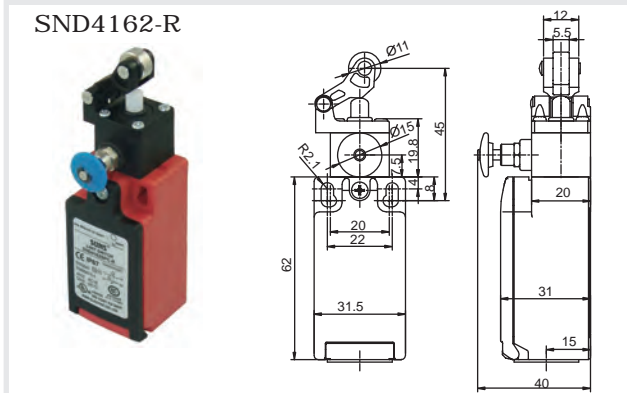
SND4131-R



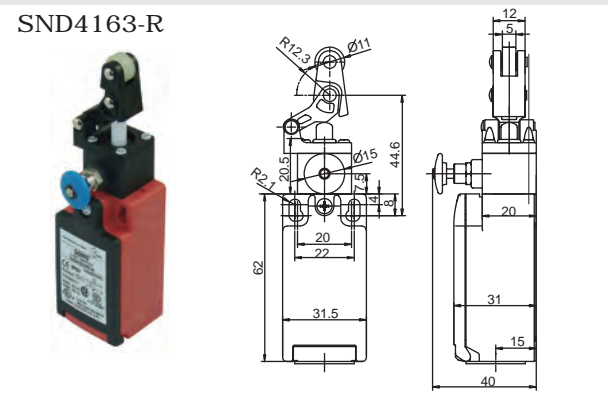
SND4132-R

Order Code	Contact block		
SND4131-SP- _R	SP	↻	snap action 1NO+1NC
SND4131-SL- _R	SL	↻	slow action 1NO+1NC BBM
SND4131-SL1- _R	SL1	↻	slow action 1NO+1NC MBB
SND4131-SL2- _R	SL2	↻	slow action 2NC

Order Code	Contact block		
SND4132-SP- _R	SP	↻	snap action 1NO+1NC
SND4132-SL- _R	SL	↻	slow action 1NO+1NC BBM
SND4132-SL1- _R	SL1	↻	slow action 1NO+1NC MBB
SND4132-SL2- _R	SL2	↻	slow action 2NC



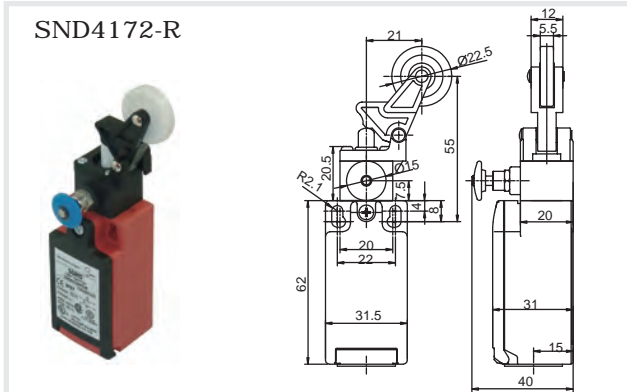
SND4162-R



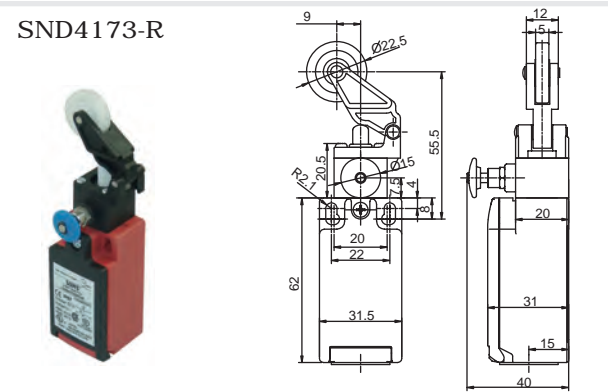
SND4163-R

Order Code	Contact block		
SND4162-SP- _R	SP	↻	snap action 1NO+1NC
SND4162-SL- _R	SL	↻	slow action 1NO+1NC BBM
SND4162-SL1- _R	SL1	↻	slow action 1NO+1NC MBB
SND4162-SL2- _R	SL2	↻	slow action 2NC

Order Code	Contact block		
SND4163-SP- _R	SP	↻	snap action 1NO+1NC
SND4163-SL- _R	SL	↻	slow action 1NO+1NC BBM
SND4163-SL1- _R	SL1	↻	slow action 1NO+1NC MBB
SND4163-SL2- _R	SL2	↻	slow action 2NC



SND4172-R



SND4173-R

Order Code	Contact block		
SND4172-SP- _R	SP	↻	snap action 1NO+1NC
SND4172-SL- _R	SL	↻	slow action 1NO+1NC BBM
SND4172-SL1- _R	SL1	↻	slow action 1NO+1NC MBB
SND4172-SL2- _R	SL2	↻	slow action 2NC

Order Code	Contact block		
SND4173-SP- _R	SP	↻	snap action 1NO+1NC
SND4173-SL- _R	SL	↻	slow action 1NO+1NC BBM
SND4173-SL1- _R	SL1	↻	slow action 1NO+1NC MBB
SND4173-SL2- _R	SL2	↻	slow action 2NC

GLOBAL STYLE SAFETY LIMIT SWITCHES (PLASTIC BODIED EN50047 TYPE) SND4 SERIES (SINGLE CONDUIT ENTRY WITH RESET)

SND4100-R

Order Code

SND4100-SP-_-R	SP	snap action	1NO+1NC
----------------	----	-------------	---------

SND4166-R

Order Code

SND4166-SP-_-R	SP	snap action	1NO+1NC
----------------	----	-------------	---------

SND4169-R

Order Code

SND4169-SP-_-R	SP	snap action	1NO+1NC
----------------	----	-------------	---------

SND4108-R

Order Code

SND4108-SP-_R	SP	⊕	snap action	1NO+1NC
SND4108-SL-_R	SL	⊕	slow action	1NO+1NC BBM
SND4108-SL1-_R	SL1	⊕	slow action	1NO+1NC MBB
SND4108-SL2-_R	SL2	⊕	slow action	2NC

Contact block

SND4118-R-ADJ

Order Code

SND4118-SP- R-ADJ	SP	⊕	snap action	1NO+1NC
SND4118-SL-R-ADJ	SL	⊕	slow action	1NO+1NC BBM
SND4118-SL1-R-ADJ	SL1	⊕	slow action	1NO+1NC MBB
SND4118-SL2-R-ADJ	SL2	⊕	slow action	2NC

Contact block

SND4112-SR

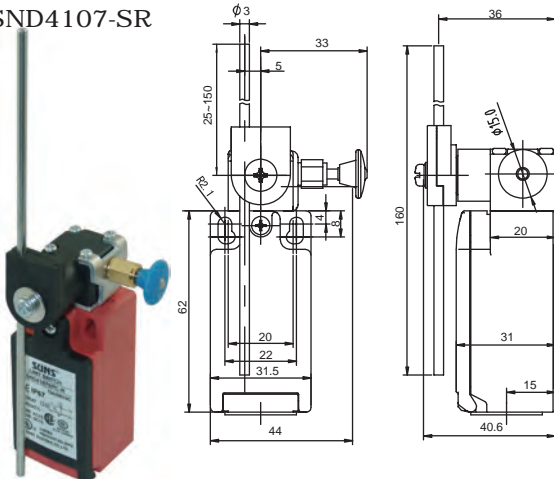
Order Code

SND4112-SP-SR	SP	⊕	snap action	1NO+1NC
SND4112-SL-SR	SL	⊕	slow action	1NO+1NC BBM
SND4112-SL1-SR	SL1	⊕	slow action	1NO+1NC MBB
SND4112-SL2-SR	SL2	⊕	slow action	2NC

Contact block

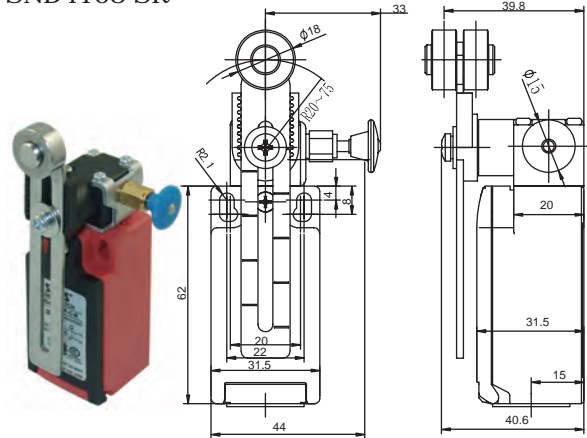
GLOBAL STYLE SAFETY LIMIT SWITCHES (PLASTIC BODIED EN50047 TYPE) SND4 SERIES (SINGLE CONDUIT ENTRY WITH RESET)

SND4107-SR



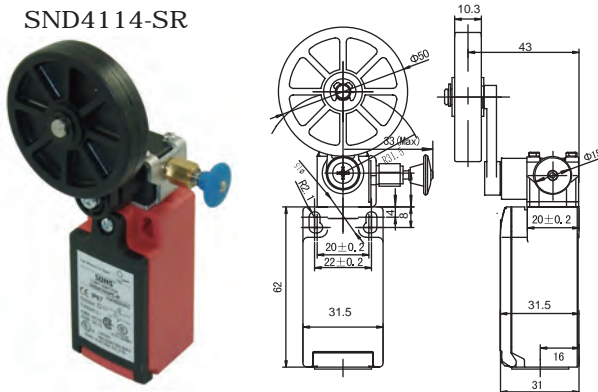
Order Code	Contact block		
SND4107-SP- _SR	SP	↻	snap action 1NO+1NC
SND4107-SL- _SR	SL	↻	slow action 1NO+1NC BBM
SND4107-SL1- _SR	SL1	↻	slow action 1NO+1NC MBB
SND4107-SL2- _SR	SL2	↻	slow action 2NC

SND4108-SR



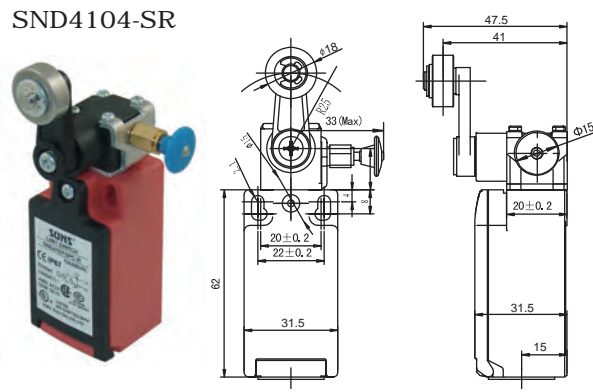
Order Code	Contact block		
SND4108-SP- _SR	SP	↻	snap action 1NO+1NC
SND4108-SL- _SR	SL	↻	slow action 1NO+1NC BBM
SND4108-SL1- _SR	SL1	↻	slow action 1NO+1NC MBB
SND4108-SL2- _SR	SL2	↻	slow action 2NC

SND4114-SR



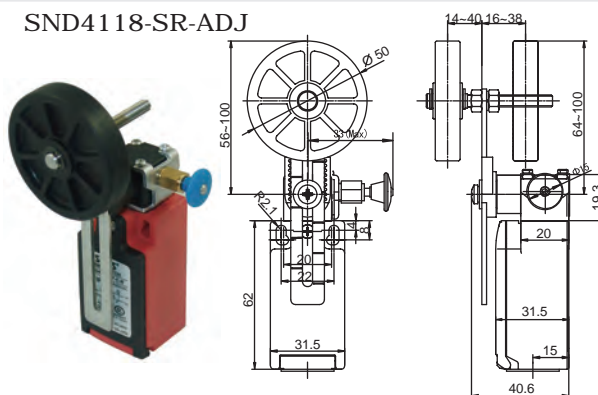
Order Code	Contact block		
SND4114-SP- _SR	SP	↻	snap action 1NO+1NC
SND4114-SL- _SR	SL	↻	slow action 1NO+1NC BBM
SND4114-SL1- _SR	SL1	↻	slow action 1NO+1NC MBB
SND4114-SL2- _SR	SL2	↻	slow action 2NC

SND4104-SR



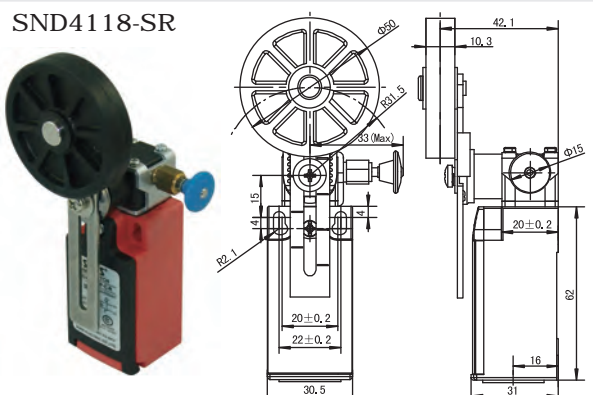
Order Code	Contact block		
SND4104-SP- _SR	SP	↻	snap action 1NO+1NC
SND4104-SL- _SR	SL	↻	slow action 1NO+1NC BBM
SND4104-SL1- _SR	SL1	↻	slow action 1NO+1NC MBB
SND4104-SL2- _SR	SL2	↻	slow action 2NC

SND4118-SR-ADJ



Order Code	Contact block		
SND4118-SP- SR-ADJ	SP	↻	snap action 1NO+1NC
SND4118-SL-SR-ADJ	SL	↻	slow action 1NO+1NC BBM
SND4118-SL1-SR-ADJ	SL1	↻	slow action 1NO+1NC MBB
SND4118-SL2-SR-ADJ	SL2	↻	slow action 2NC

SND4118-SR



Order Code	Contact block		
SND4118-SP- _SR	SP	↻	snap action 1NO+1NC
SND4118-SL- _SR	SL	↻	slow action 1NO+1NC BBM
SND4118-SL1- _SR	SL1	↻	slow action 1NO+1NC MBB
SND4118-SL2- _SR	SL2	↻	slow action 2NC

GLOBAL STYLE SAFETY LIMIT SWITCHES DT4 CONNECTOR LIMIT SWITCHES SN(D)4 SN(D)6 SERIES

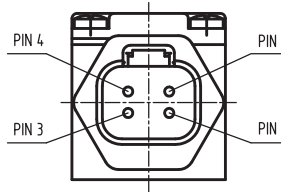
Features

- DT4 Connector reducing installation time
- Eliminating parts normally associated with the assembly of a pigtail connector
- O-ring Seal for IP67 protection
- Earth grounding surface on same level as switching
- Easily interchangeable contact block
- Fine adjustment of switching point via adjusting screw
- Galvanically separated contacts
- Screw terminals with self-lifting clamps for easy wiring
- Positive Opening of NC contacts
- 4 x 90° actuator positions

Specifications

Operating Speed	0.05mm-2m/sec
Operating Frequency	Mechanical: 120ops/min Electrical: 30 ops/min
Insulation Resistance	>100MΩ@500V DC
Contact Resistance	<25mΩ (initial value)
Rated Thermal Current	10A/600V AC (EN60947-5-1) UL/cUL Listed (E216958) AC15 A600 / DC13 Q300
Dielectric Strength	1000VAC for 1 min between current carrying parts 2500VAC for 1 min between non-current carrying parts
Service Life	Mechanically 1 x 10 ⁷ (operations) Electrically 5 x 10 ⁵ (operations)
Operating Temperature	-25~+80°C (-13~176°F) with no icing
Humidity	< 95%RH
Degree of Protection	IP67

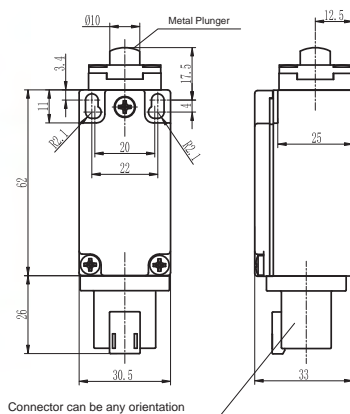
Connector* Picture and Wiring:



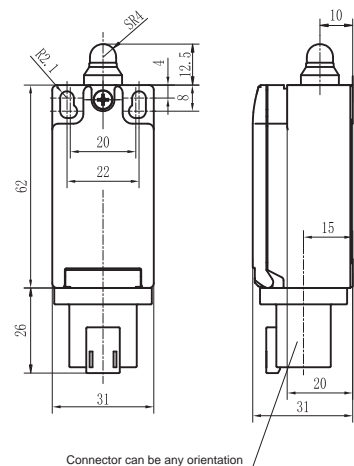
PIN #	TERMINAL BLOCK
1	14
2	22
3	21
4	13

*Compatible with all SUNS SN(D)4 SN(D)6 Limit Switches
To order, just add DT4 as the suffix to the desired model

SN4111 DT4



SND4111 DT4

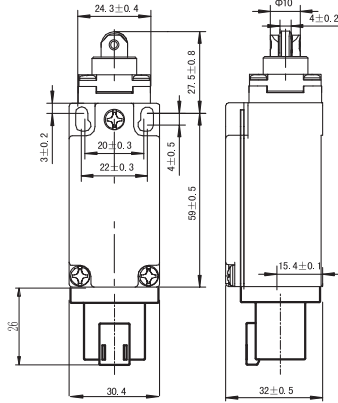


Order Code	Contact block			
SN4111-SP-A DT4	SP (⊕)	snap action	1NO+1NC	
SN4111-SL-A DT4	SL (⊕)	slow action	1NO+1NC	BBM
SN4111-SL1-A DT4	SL1 (⊕)	slow action	1NO+1NC	MBB
SN4111-SL2-A DT4	SL2 (⊕)	slow action	2NC	

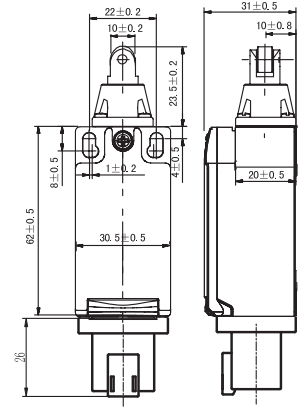
Order Code	Contact block			
SND4111-SP-A DT4	SP (⊕)	snap action	1NO+1NC	
SND4111-SL-A DT4	SL (⊕)	slow action	1NO+1NC	BBM
SND4111-SL1-A DT4	SL1 (⊕)	slow action	1NO+1NC	MBB
SND4111-SL2-A DT4	SL2 (⊕)	slow action	2NC	

GLOBAL STYLE SAFETY LIMIT SWITCHES DT4 CONNECTOR LIMIT SWITCHES SN(D)4 SN(D)6 SERIES

SN4112 DT4



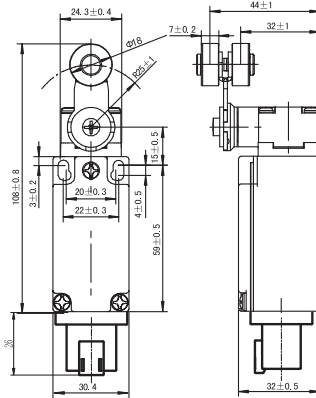
SND4112 DT4



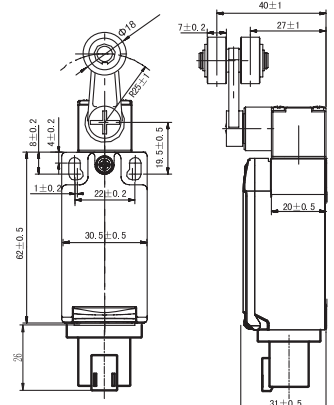
Order Code	Contact block			
SN4112-SP-A DT4	SP	⊕	snap action	1NO+1NC
SN4112-SL-A DT4	SL	⊕	slow action	1NO+1NC BBM
SN4112-SL1-A DT4	SL1	⊕	slow action	1NO+1NC MBB
SN4112-SL2-A DT4	SL2	⊕	slow action	2NC

Order Code	Contact block			
SND4112-SP-A DT4	SP	⊕	snap action	1NO+1NC
SND4112-SL-A DT4	SL	⊕	slow action	1NO+1NC BBM
SND4112-SL1-A DT4	SL1	⊕	slow action	1NO+1NC MBB
SND4112-SL2-A DT4	SL2	⊕	slow action	2NC

SN4104 DT4



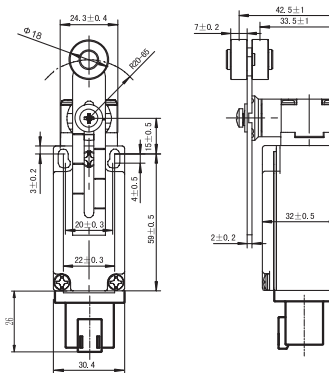
SND4104 DT4



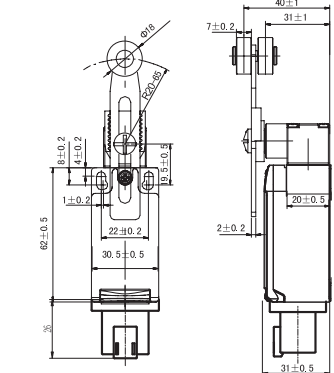
Order Code	Contact block			
SN4104-SP-A DT4	SP	⊕	snap action	1NO+1NC
SN4104-SL-A DT4	SL	⊕	slow action	1NO+1NC BBM
SN4104-SL1-A DT4	SL1	⊕	slow action	1NO+1NC MBB
SN4104-SL2-A DT4	SL2	⊕	slow action	2NC

Order Code	Contact block			
SND4104-SP-A DT4	SP	⊕	snap action	1NO+1NC
SND4104-SL-A DT4	SL	⊕	slow action	1NO+1NC BBM
SND4104-SL1-A DT4	SL1	⊕	slow action	1NO+1NC MBB
SND4104-SL2-A DT4	SL2	⊕	slow action	2NC

SN4108 DT4



SND4108 DT4

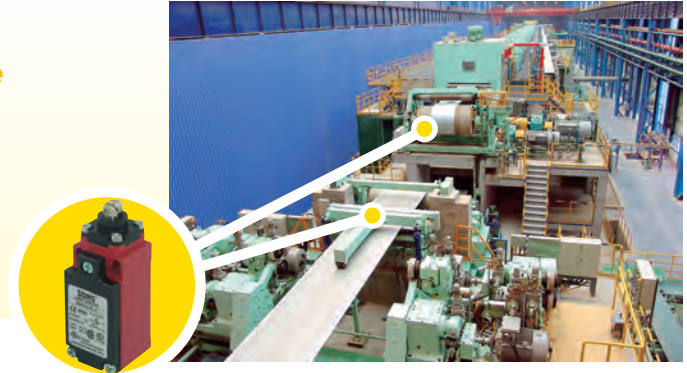


Order Code	Contact block			
SN4108-SP-A DT4	SP	⊕	snap action	1NO+1NC
SN4108-SL-A DT4	SL	⊕	slow action	1NO+1NC BBM
SN4108-SL1-A DT4	SL1	⊕	slow action	1NO+1NC MBB
SN4108-SL2-A DT4	SL2	⊕	slow action	2NC

Order Code	Contact block			
SND4108-SP-A DT4	SP	⊕	snap action	1NO+1NC
SND4108-SL-A DT4	SL	⊕	slow action	1NO+1NC BBM
SND4108-SL1-A DT4	SL1	⊕	slow action	1NO+1NC MBB
SND4108-SL2-A DT4	SL2	⊕	slow action	2NC

GLOBAL STYLE SAFETY LIMIT SWITCHES (METAL BODIED EN50047 TYPE) SN4 SERIES (SINGLE CONDUIT ENTRY)

Our Applications Engineers evaluate systems' compatibility, installation, maintenance, and reliability when reviewing control solutions.



Features

- Zinc die cast body
- Earth grounding surface on same level as switching
- Easily interchangeable contact block
- Galvanically separated contacts
- Screw terminals with self-lifting clamps for easy wiring
- Positive Opening of NC contacts
- 4 x 90° actuator positions
- Cable entry available: M20, PG13.5 and 1/2"NPT
- Conform to EN 50047 standard

Definitions of Operating Characteristics

- OF Operating Force
- RF Releasing Force
- OT Overtravel
- TT Total Travel
- PT Pretravel
- MD Movement Differential
- OP Operating Position
- PO Travel to Positive Opening



Specifications

Operating Speed	0.05mm-2m/sec
Operating Frequency	Mechanical: 120ops/min Electrical: 30 ops/min
Insulation Resistance	>100MΩ@500V DC
Contact Resistance	<25mΩ (initial value)
Rated Thermal Current	10A/600V AC (EN60947-5-1) UL/cUL Listed (E216958) AC15 A600 / DC13 Q300
Dielectric Strength	1000VAC for 1 min between current carrying parts 2500VAC for 1 min between non-current carrying parts
Service Life	Mechanically 1.0 x 10 ⁷ (operations) Electrically 5 x 10 ⁵ (operations)
Operating Temperature	-25~+80°C (-13~176°F) with no icing
Humidity	< 95%RH
Weight	200-250g
Degree of Protection	IP67

Selection Guide:

SN41

Body Styles

04

Head Styles

SP

- SP: 1NO/1NC Snap action
- SPT: 2NO/2NC Snap action
- SL: BBM 1NO/1NC Slow Action changeover
- SL1: MBB 1NO/1NC Slow Action Overlapping
- SL2: 2NC Slow Action
- SL3: 2NO Slow Action
- SL4: 3NC Slow Action
- SL5: 3NO Slow Action
- SL6: BBM 2NC/1NO Slow Action changeover
- SL7: MBB 2NC/1NO Slow Action Overlapping
- SL8: BBM 2NO/1NC Slow Action changeover
- SL9: MBB 2NO/1NC Slow Action Overlapping

C

Conduits

- A: 1/2"NPT
- B: PG13.5
- C: M20
- D: M16
- B1: PG11

R

- Blank
- R: with Reset

GLOBAL STYLE SAFETY LIMIT SWITCHES (METAL BODIED EN50047 TYPE) SN4 SERIES (SINGLE CONDUIT ENTRY)

Available contact blocks and travel diagrams



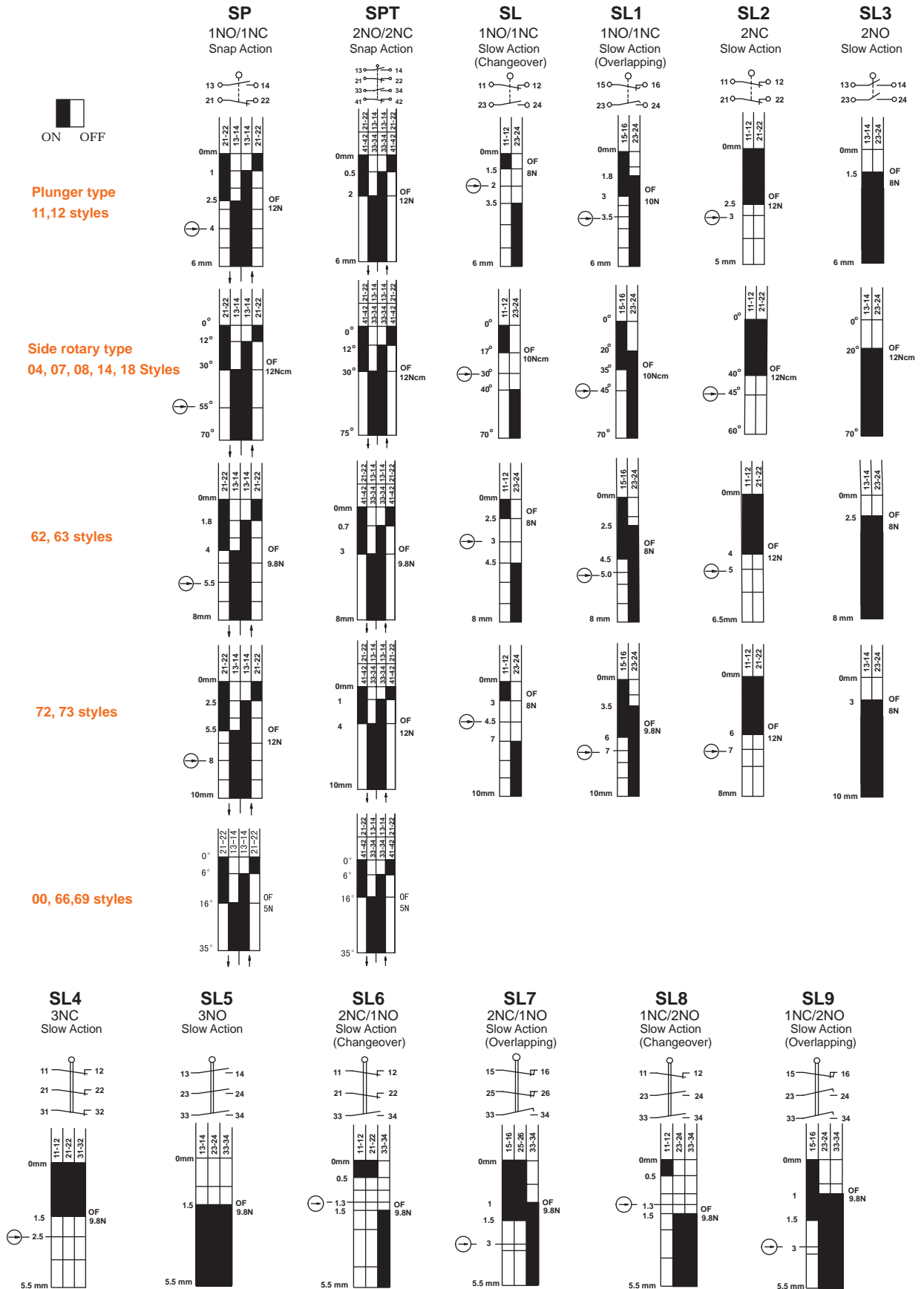
Plunger type
11,12 styles

Side rotary type
04, 07, 08, 14, 18 Styles

62, 63 styles

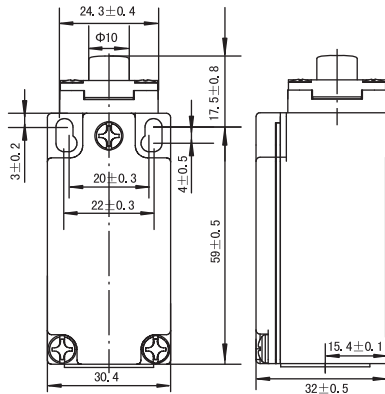
72, 73 styles

00, 66,69 styles



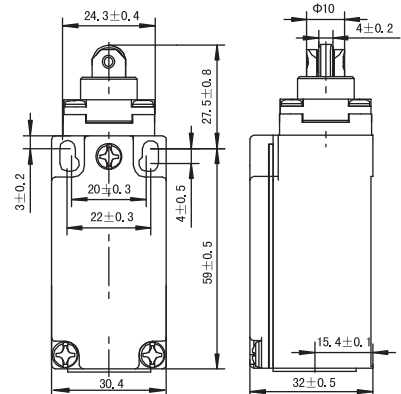
GLOBAL STYLE SAFETY LIMIT SWITCHES (METAL BODIED EN50047 TYPE) SN4 SERIES (SINGLE CONDUIT ENTRY)

SN4111



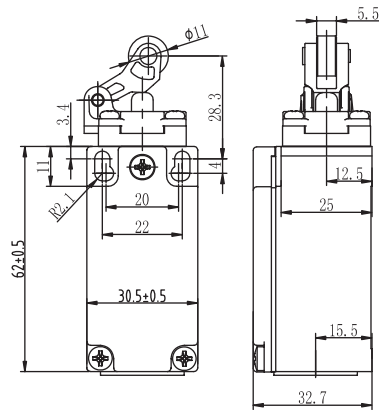
Order Code	Contact block			
SN4111-SP- _	SP	⊕	snap action	1NO+1NC
SN4111-SL- _	SL	⊕	slow action	1NO+1NC BBM
SN4111-SL1- _	SL1	⊕	slow action	1NO+1NC MBB
SN4111-SL2- _	SL2	⊕	slow action	2NC

SN4112



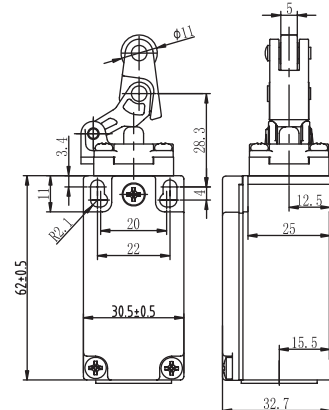
Order Code	Contact block			
SN4112-SP- _	SP	⊕	snap action	1NO+1NC
SN4112-SL- _	SL	⊕	slow action	1NO+1NC BBM
SN4112-SL1- _	SL1	⊕	slow action	1NO+1NC MBB
SN4112-SL2- _	SL2	⊕	slow action	2NC

SN4162



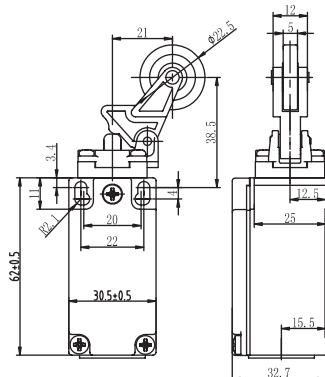
Order Code	Contact block			
SN4162-SP- _	SP	⊕	snap action	1NO+1NC
SN4162-SL- _	SL	⊕	slow action	1NO+1NC BBM
SN4162-SL1- _	SL1	⊕	slow action	1NO+1NC MBB
SN4162-SL2- _	SL2	⊕	slow action	2NC

SN4163



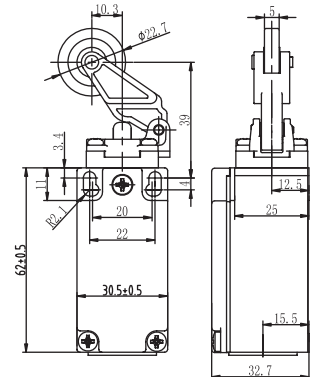
Order Code	Contact block			
SN4163-SP- _	SP	⊕	snap action	1NO+1NC
SN4163-SL- _	SL	⊕	slow action	1NO+1NC BBM
SN4163-SL1- _	SL1	⊕	slow action	1NO+1NC MBB
SN4163-SL2- _	SL2	⊕	slow action	2NC

SN4172



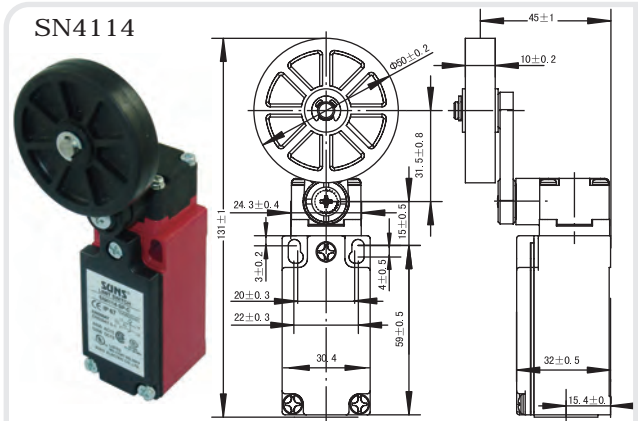
Order Code	Contact block			
SN4172-SP- _	SP	⊕	snap action	1NO+1NC
SN4172-SL- _	SL	⊕	slow action	1NO+1NC BBM
SN4172-SL1- _	SL1	⊕	slow action	1NO+1NC MBB
SN4172-SL2- _	SL2	⊕	slow action	2NC

SN4173

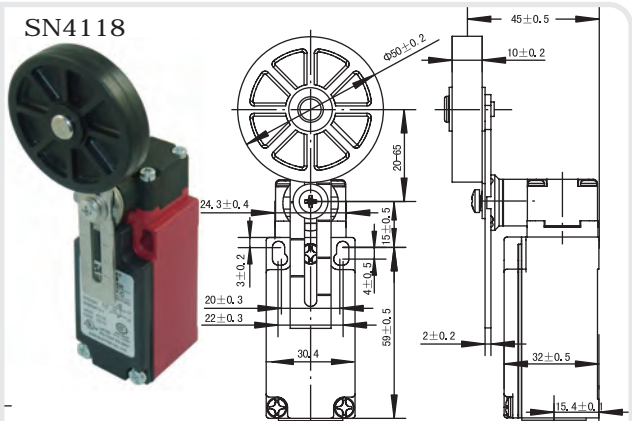


Order Code	Contact block			
SN4173-SP- _	SP	⊕	snap action	1NO+1NC
SN4173-SL- _	SL	⊕	slow action	1NO+1NC BBM
SN4173-SL1- _	SL1	⊕	slow action	1NO+1NC MBB
SN4173-SL2- _	SL2	⊕	slow action	2NC

GLOBAL STYLE SAFETY LIMIT SWITCHES (METAL BODIED EN50047 TYPE) SN4 SERIES (SINGLE CONDUIT ENTRY)



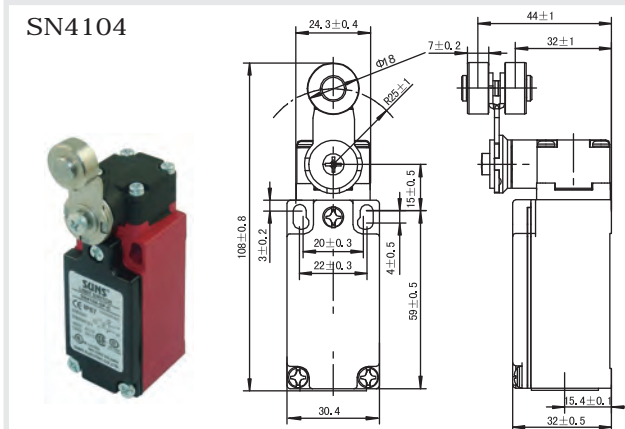
SN4114



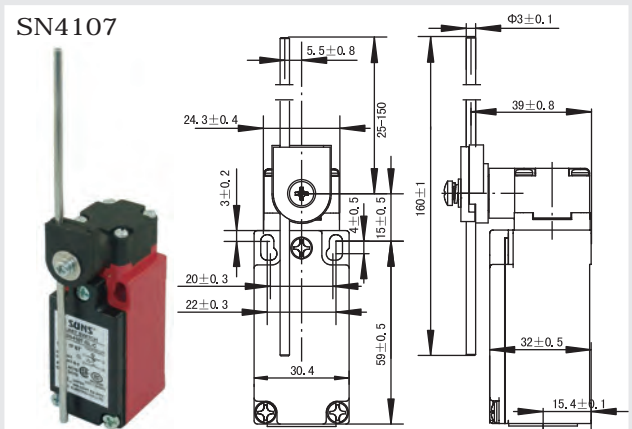
SN4118

Order Code	Contact block		
SN4114-SP- _	SP	↻	snap action 1NO+1NC
SN4114-SL- _	SL	↻	slow action 1NO+1NC BBM
SN4114-SL1- _	SL1	↻	slow action 1NO+1NC MBB
SN4114-SL2- _	SL2	↻	slow action 2NC

Order Code	Contact block		
SN4118-SP- _	SP	↻	snap action 1NO+1NC
SN4118-SL- _	SL	↻	slow action 1NO+1NC BBM
SN4118-SL1- _	SL1	↻	slow action 1NO+1NC MBB
SN4118-SL2- _N	SL2	↻	slow action 2NC



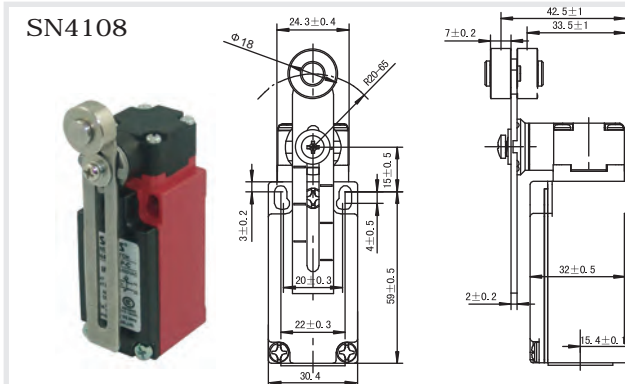
SN4104



SN4107

Order Code	Contact block		
SN4104-SP- _	SP	↻	snap action 1NO+1NC
SN4104-SL- _	SL	↻	slow action 1NO+1NC BBM
SN4104-SL1- _	SL1	↻	slow action 1NO+1NC MBB
SN4104-SL2- _	SL2	↻	slow action 2NC


Order Code	Contact block		
SN4107-SP- _	SP	↻	snap action 1NO+1NC
SN4107-SL- _	SL	↻	slow action 1NO+1NC BBM
SN4107-SL1- _	SL1	↻	slow action 1NO+1NC MBB
SN4107-SL2- _	SL2	↻	slow action 2NC



SN4108

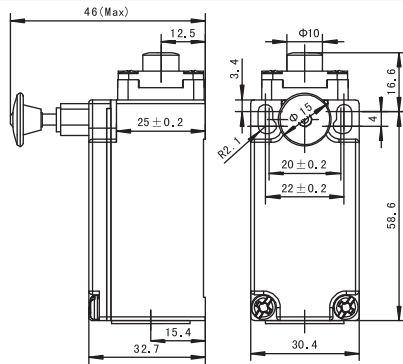
Order Code	Contact block		
SN4108-SP- _	SP	↻	snap action 1NO+1NC
SN4108-SL- _	SL	↻	slow action 1NO+1NC BBM
SN4108-SL1- _	SL1	↻	slow action 1NO+1NC MBB
SN4108-SL2- _	SL2	↻	slow action 2NC

GLOBAL STYLE SAFETY LIMIT SWITCHES (METAL BODIED EN50047 TYPE) SN4 SERIES (SINGLE CONDUIT ENTRY)

<p>SN4100</p> 		<p>SN4166</p> 	
<p>Order Code</p> <p>SN4100-SP- _ SP snap action 1NO+1NC</p>		<p>Order Code</p> <p>SN4166-SP- _ SP snap action 1NO+1NC</p>	
<p>SN4169</p> 			
<p>Order Code</p> <p>SN4169-SP- _ SP snap action 1NO+1NC</p>			

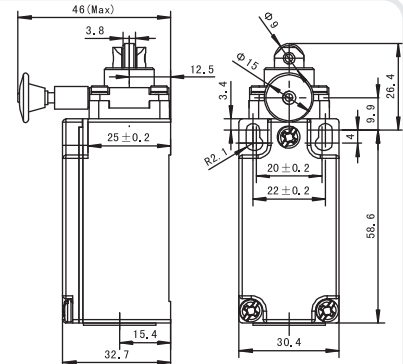
GLOBAL STYLE SAFETY LIMIT SWITCHES (METAL BODIED EN50047 TYPE) SN4 SERIES (SINGLE CONDUIT ENTRY WITH RESET)

SN4111-R



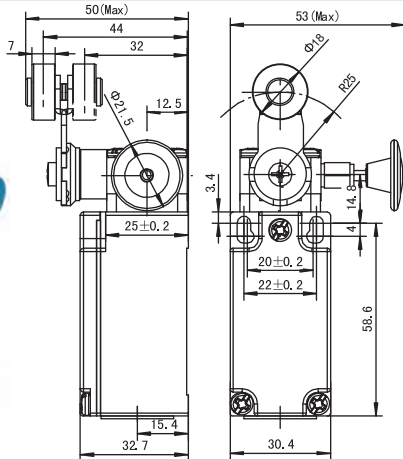
Order Code	Contact block			
SN4111-SP- _R	SP	↻	snap action	1NO+1NC
SN4111-SL- _R	SL	↻	slow action	1NO+1NC BBM
SN4111-SL1- _R	SL1	↻	slow action	1NO+1NC MBB
SN4111-SL2- _R	SL2	↻	slow action	2NC

SN4112-R



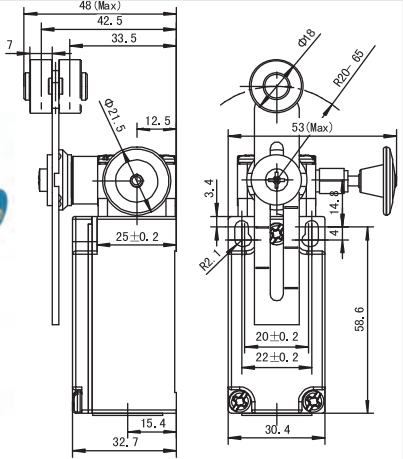
Order Code	Contact block			
SN4112-SP- _R	SP	↻	snap action	1NO+1NC
SN4112-SL- _R	SL	↻	slow action	1NO+1NC BBM
SN4112-SL1- _R	SL1	↻	slow action	1NO+1NC MBB
SN4112-SL2- _R	SL2	↻	slow action	2NC

SN4104-R



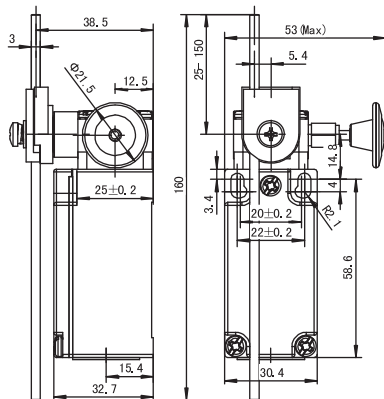
Order Code	Contact block			
SN4104-SP- _R	SP	↻	snap action	1NO+1NC
SN4104-SL- _R	SL	↻	slow action	1NO+1NC BBM
SN4104-SL1- _R	SL1	↻	slow action	1NO+1NC MBB
SN4104-SL2- _R	SL2	↻	slow action	2NC

SN4108-R



Order Code	Contact block			
SN4108-SP- _R	SP	↻	snap action	1NO+1NC
SN4108-SL- _R	SL	↻	slow action	1NO+1NC BBM
SN4108-SL1- _R	SL1	↻	slow action	1NO+1NC MBB
SN4108-SL2- _R	SL2	↻	slow action	2NC

SN4107-R



Order Code	Contact block			
SN4107-SP- _R	SP	↻	snap action	1NO+1NC
SN4107-SL- _R	SL	↻	slow action	1NO+1NC BBM
SN4107-SL1- _R	SL1	↻	slow action	1NO+1NC MBB
SN4107-SL2- _R	SL2	↻	slow action	2NC

GLOBAL STYLE SAFETY LIMIT SWITCHES (METAL BODIED EN50047 TYPE) SN4 SERIES (SINGLE CONDUIT ENTRY WITH RESET)

SN4114-R

Order Code	Contact block	SP	SL	SL1	SL2	Action	Contacts
SN4114-SP- _R	SP	→				snap action	1NO+1NC
SN4114-SL- _R	SL	→				slow action	1NO+1NC BBM
SN4114-SL1- _R	SL1	→				slow action	1NO+1NC MBB
SN4114-SL2- _R	SL2	→				slow action	2NC

SN4118-R

Order Code	Contact block	SP	SL	SL1	SL2	Action	Contacts
SN4118-SP- _R	SP	→				snap action	1NO+1NC
SN4118-SL- _R	SL	→				slow action	1NO+1NC BBM
SN4118-SL1- _R	SL1	→				slow action	1NO+1NC MBB
SN4118-SL2- _R	SL2	→				slow action	2NC

SN4100-R

Order Code	Contact block	SP	Action	Contacts
SN4100-SP- _R	SP		snap action	1NO+1NC

SN4166-R

Order Code	Contact block	SP	Action	Contacts
SN4166-SP- _R	SP		snap action	1NO+1NC

SN4169-R

Order Code	Contact block	SP	Action	Contacts
SN4169-SP- _R	SP		snap action	1NO+1NC

GLOBAL STYLE SAFETY LIMIT SWITCHES (PLASTIC BODIED EN50047 COMPATIBLE) SND2 SERIES (2 - CONDUIT ENTRIES)

Such a reasonable cost, more and more enterprises choose SUNS for their products



Features

- Glass fiber reinforced plastic body
- Easily interchangeable contact block
- Galvanically separated contacts
- Screw terminals with self-lifting clamps for easy wiring
- Positive Opening of NC contacts
- 4 x 90° actuator positions
- Cable entry available: M20, PG13.5 and 1/2"NPT
- Conform to EN 50047 standard

Definitions of Operating Characteristics

OF	Operating Force	
RF	Releasing Force	
OT	Overtravel	
TT	Total Travel	
PT	Pretravel	
MD	Movement Differential	
OP	Operating Position	
PO	Travel to Positive Opening	

Specifications

Operating Speed	0.05mm-2m/sec
Operating Frequency	Mechanical: 120ops/min Electrical: 30 ops/min
Insulation Resistance	>100MΩ@500V DC
Contact Resistance	<25mΩ (initial value)
Rated Thermal Current	10A/600V AC (EN60947-5-1) AC15 A600 / DC13 Q300
Dielectric Strength	1000VAC for 1 min between current carrying parts 2500VAC for 1 min between non-current carrying parts
Service Life	Mechanically 1.0 x 10 ⁷ (operations) Electrically 5 x 10 ⁵ (operations)
Operating Temperature	-25~+80°C (-13~176°F) with no icing
Humidity	< 95%RH
Weight	59-109g
Degree of Protection	IP67

Selection Guide:

SND21	04	SP	C	-	R
Body Styles	Head Styles	<ul style="list-style-type: none"> — SP: 1NO/1NC Snap action — SPT: 2NO/2NC Snap action — SL: BBM 1NO/1NC Slow Action changeover — SL1: MBB 1NO/1NC Slow Action Overlapping — SL2: 2NC Slow Action — SL3: 2NO Slow Action — SL4: 3NC Slow Action — SL5: 3NO Slow Action — SL6: BBM 2NC/1NO Slow Action changeover — SL7: MBB 2NC/1NO Slow Action Overlapping — SL8: BBM 2NO/1NC Slow Action changeover — SL9: MBB 2NO/1NC Slow Action Overlapping 	Conduits		
			<ul style="list-style-type: none"> — A: 1/2"NPT — B: PG13.5 — C: M20 — D: M16 — B1: PG11 		<ul style="list-style-type: none"> — Blank — R: with Reset

GLOBAL STYLE SAFETY LIMIT SWITCHES (PLASTIC BODIED EN50047 COMPATIBLE) SND2 SERIES (2 - CONDUIT ENTRIES)

Available contact blocks and travel diagrams



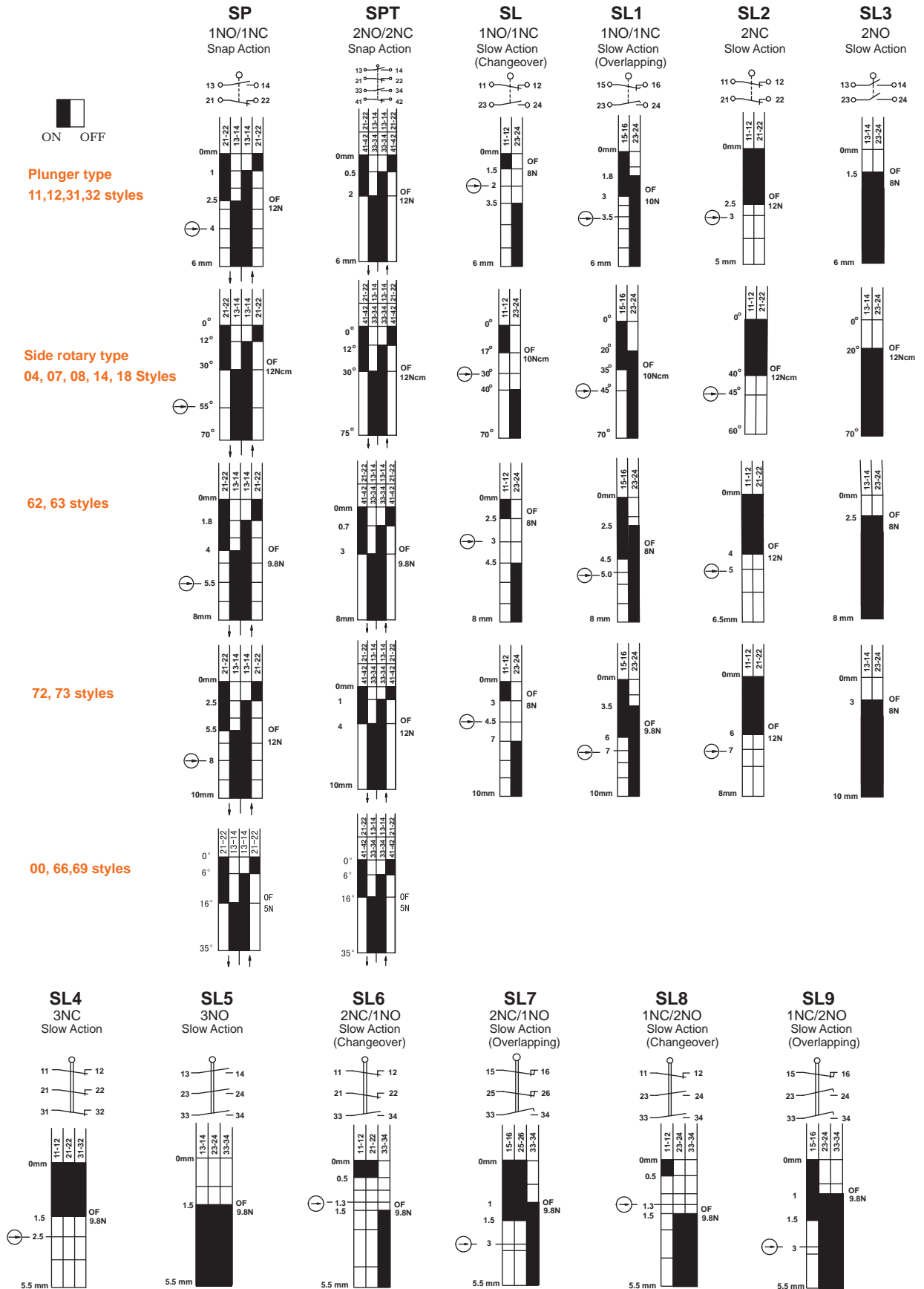
Plunger type
11, 12, 31, 32 styles

Side rotary type
04, 07, 08, 14, 18 Styles

62, 63 styles

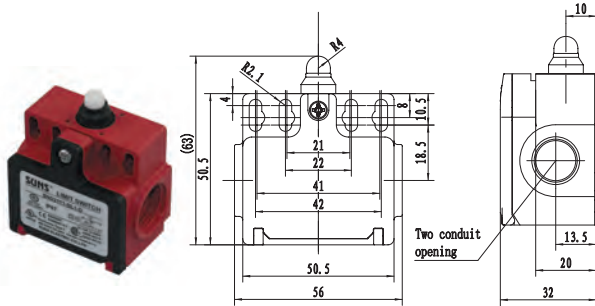
72, 73 styles

00, 66, 69 styles



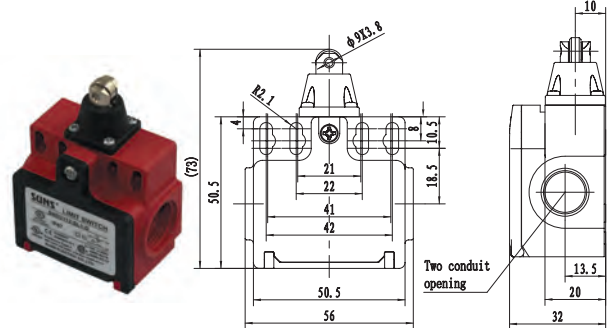
GLOBAL STYLE SAFETY LIMIT SWITCHES (PLASTIC BODIED EN50047 COMPATIBLE) SND2 SERIES (2 - CONDUIT ENTRIES)

SND2111



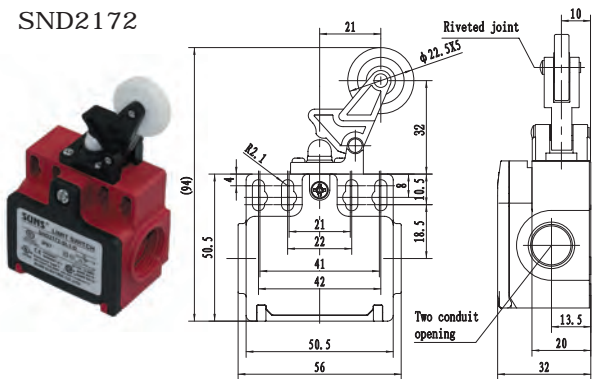
Order Code	Contact block	SP	SL	SL1	SL2	Action	Contacts
SND2111-SP- _	SP	→				snap action	1NO+1NC
SND2111-SL- _	SL	→				slow action	1NO+1NC BBM
SND2111-SL1- _	SL1	→				slow action	1NO+1NC MBB
SND2111-SL2- _	SL2	→				slow action	2NC

SND2112



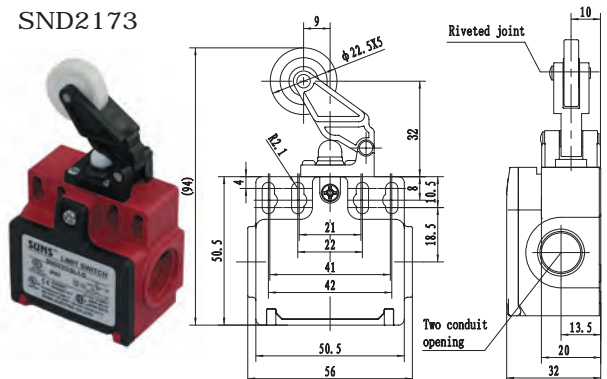
Order Code	Contact block	SP	SL	SL1	SL2	Action	Contacts
SND2112-SP- _	SP	→				snap action	1NO+1NC
SND2112-SL- _	SL	→				slow action	1NO+1NC BBM
SND2112-SL1- _	SL1	→				slow action	1NO+1NC MBB
SND2112-SL2- _	SL2	→				slow action	2NC

SND2172



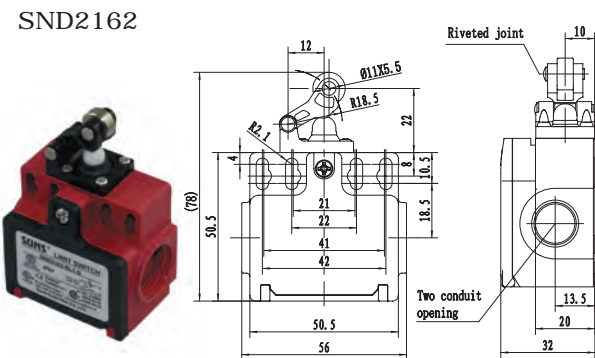
Order Code	Contact block	SP	SL	SL1	SL2	Action	Contacts
SND2172-SP- _	SP	→				snap action	1NO+1NC
SND2172-SL- _	SL	→				slow action	1NO+1NC BBM
SND2172-SL1- _	SL1	→				slow action	1NO+1NC MBB
SND2172-SL2- _	SL2	→				slow action	2NC

SND2173



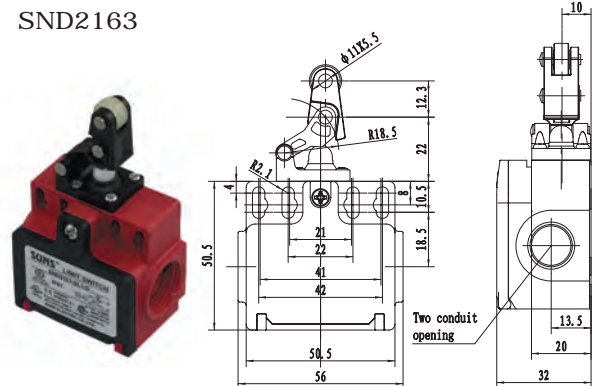
Order Code	Contact block	SP	SL	SL1	SL2	Action	Contacts
SND2173-SP- _	SP	→				snap action	1NO+1NC
SND2173-SL- _	SL	→				slow action	1NO+1NC BBM
SND2173-SL1- _	SL1	→				slow action	1NO+1NC MBB
SND2173-SL2- _	SL2	→				slow action	2NC

SND2162



Order Code	Contact block	SP	SL	SL1	SL2	Action	Contacts
SND2162-SP- _	SP	→				snap action	1NO+1NC
SND2162-SL- _	SL	→				slow action	1NO+1NC BBM
SND2162-SL1- _	SL1	→				slow action	1NO+1NC MBB
SND2162-SL2- _	SL2	→				slow action	2NC

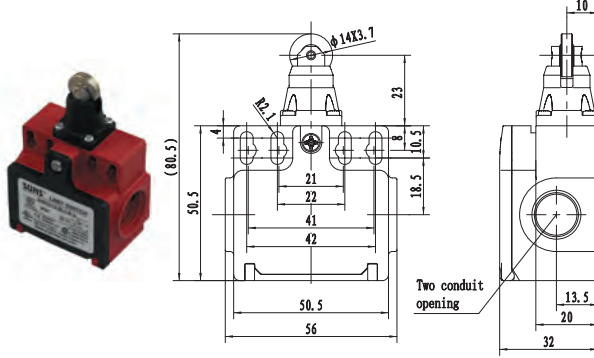
SND2163



Order Code	Contact block	SP	SL	SL1	SL2	Action	Contacts
SND2163-SP- _	SP	→				snap action	1NO+1NC
SND2163-SL- _	SL	→				slow action	1NO+1NC BBM
SND2163-SL1- _	SL1	→				slow action	1NO+1NC MBB
SND2163-SL2- _	SL2	→				slow action	2NC

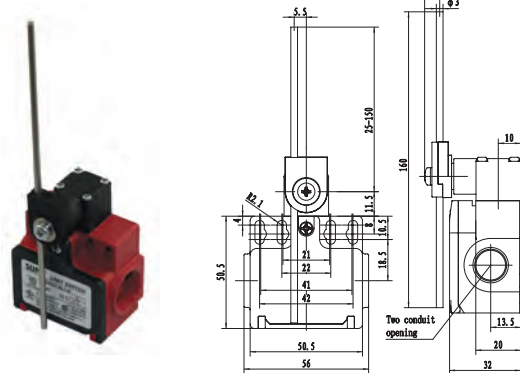
GLOBAL STYLE SAFETY LIMIT SWITCHES (PLASTIC BODIED EN50047 COMPATIBLE) SND2 SERIES (2 - CONDUIT ENTRIES)

SND2112-L



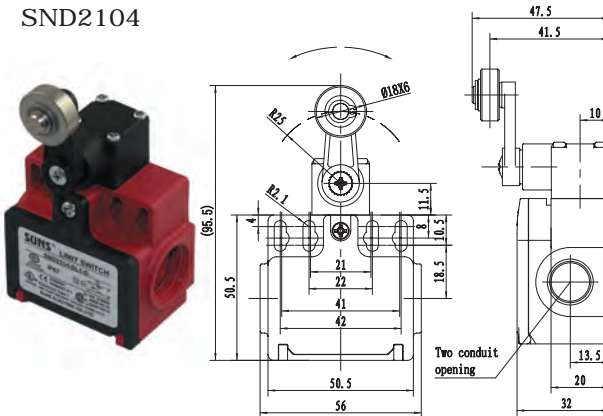
Order Code	Contact block	SP	SL	SL1	SL2	SP	SL	SL1	SL2	Action	Contacts
SND2112-SP- _L	SP	+				+				snap action	1NO+1NC
SND2112-SL- _L	SL		+				+			slow action	1NO+1NC BBM
SND2112-SL1- _L	SL1			+				+		slow action	1NO+1NC MBB
SND2112-SL2- _L	SL2				+				+	slow action	2NC

SND2107



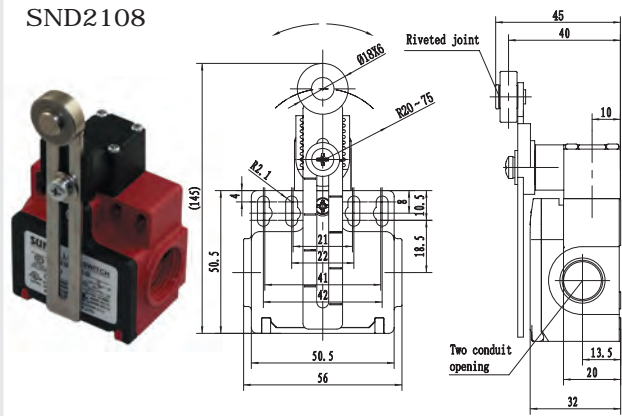
Order Code	Contact block	SP	SL	SL1	SL2	SP	SL	SL1	SL2	Action	Contacts
SND2107-SP- _	SP	+				+				snap action	1NO+1NC
SND2107-SL- _	SL		+				+			slow action	1NO+1NC BBM
SND2107-SL1- _	SL1			+				+		slow action	1NO+1NC MBB
SND2107-SL2- _	SL2				+				+	slow action	2NC

SND2104



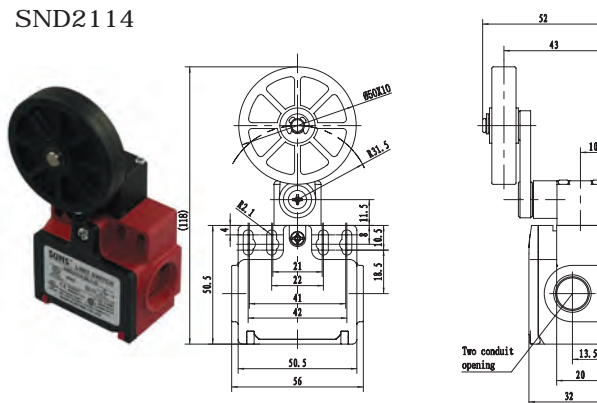
Order Code	Contact block	SP	SL	SL1	SL2	SP	SL	SL1	SL2	Action	Contacts
SND2104-SP- _	SP	+				+				snap action	1NO+1NC
SND2104-SL- _	SL		+				+			slow action	1NO+1NC BBM
SND2104-SL1- _	SL1			+				+		slow action	1NO+1NC MBB
SND2104-SL2- _	SL2				+				+	slow action	2NC

SND2108



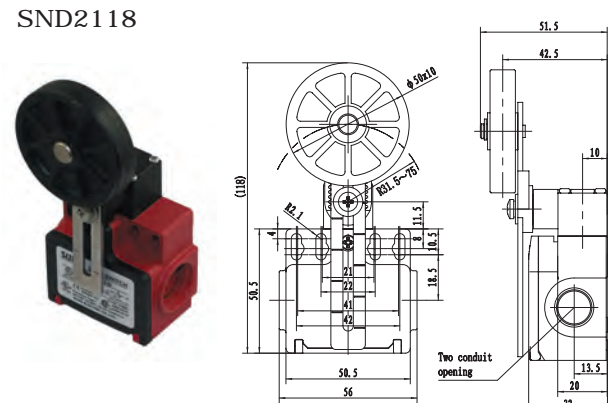
Order Code	Contact block	SP	SL	SL1	SL2	SP	SL	SL1	SL2	Action	Contacts
SND2108-SP- _	SP	+				+				snap action	1NO+1NC
SND2108-SL- _	SL		+				+			slow action	1NO+1NC BBM
SND2108-SL1- _	SL1			+				+		slow action	1NO+1NC MBB
SND2108-SL2- _	SL2				+				+	slow action	2NC

SND2114



Order Code	Contact block	SP	SL	SL1	SL2	SP	SL	SL1	SL2	Action	Contacts
SND2114-SP- _	SP	+				+				snap action	1NO+1NC
SND2114-SL- _	SL		+				+			slow action	1NO+1NC BBM
SND2114-SL1- _	SL1			+				+		slow action	1NO+1NC MBB
SND2114-SL2- _	SL2				+				+	slow action	2NC

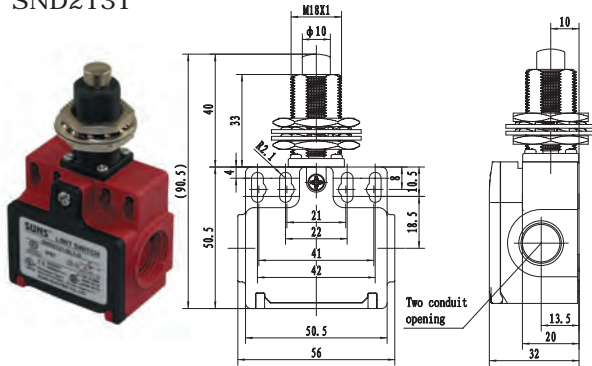
SND2118



Order Code	Contact block	SP	SL	SL1	SL2	SP	SL	SL1	SL2	Action	Contacts
SND2118-SP- _	SP	+				+				snap action	1NO+1NC
SND2118-SL- _	SL		+				+			slow action	1NO+1NC BBM
SND2118-SL1- _	SL1			+				+		slow action	1NO+1NC MBB
SND2118-SL2- _	SL2				+				+	slow action	2NC

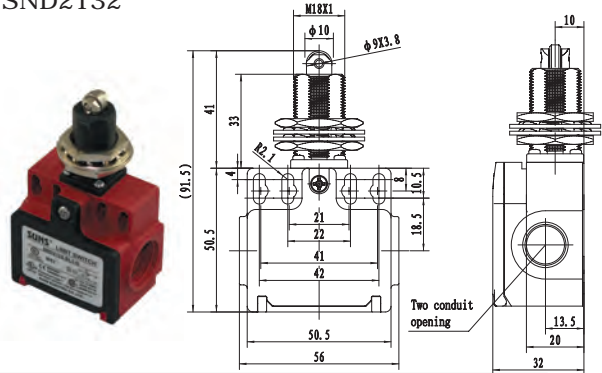
GLOBAL STYLE SAFETY LIMIT SWITCHES (PLASTIC BODIED EN50047 COMPATIBLE) SND2 SERIES (2 - CONDUIT ENTRIES)

SND2131



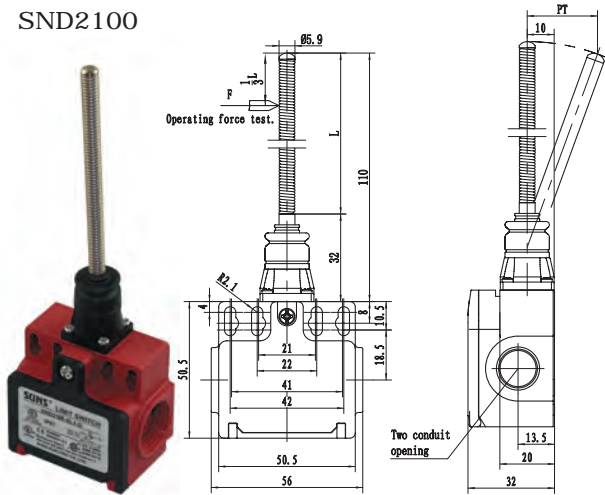
Order Code	Contact block	SP	SL	SL1	SL2
SND2131-SP- _	SP	⊕			
SND2131-SL- _	SL		⊕		
SND2131-SL1- _	SL1			⊕	
SND2131-SL2- _	SL2				⊕

SND2132



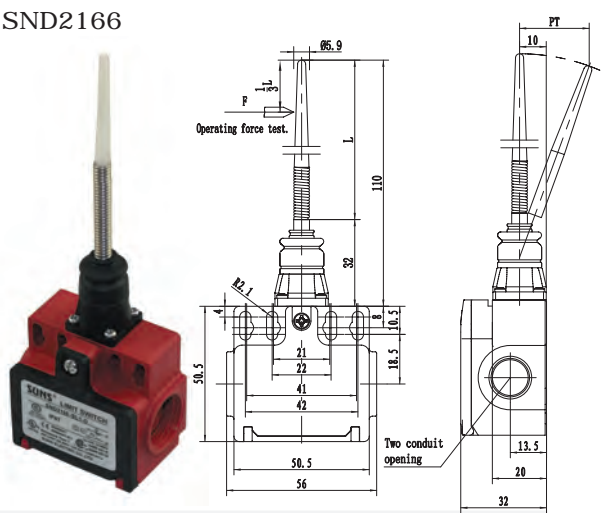
Order Code	Contact block	SP	SL	SL1	SL2
SND2132-SP- _	SP	⊕			
SND2132-SL- _	SL		⊕		
SND2132-SL1- _	SL1			⊕	
SND2132-SL2- _	SL2				⊕

SND2100



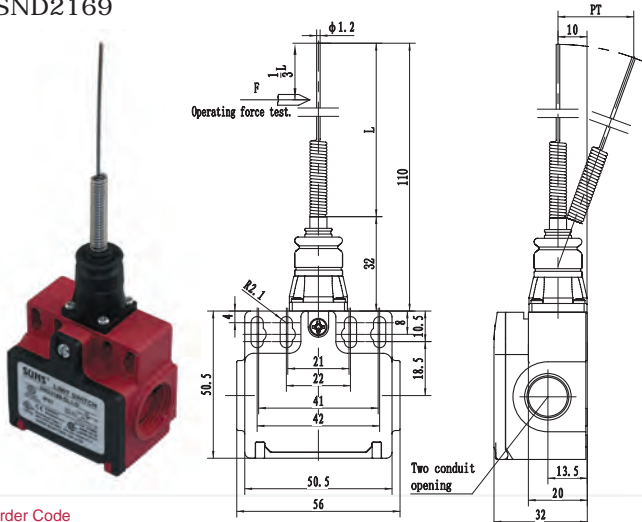
Order Code	SP	SNAP ACTION	1NO+1NC
SND2100-SP- _	SP	SNAP ACTION	1NO+1NC

SND2166



Order Code	SP	SNAP ACTION	1NO+1NC
SND2166-SP- _	SP	SNAP ACTION	1NO+1NC

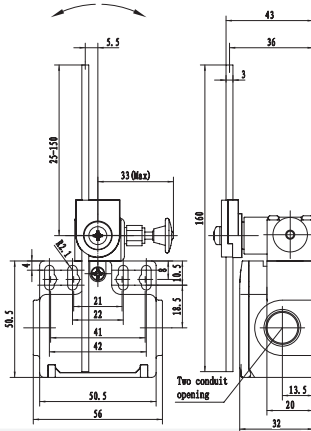
SND2169



Order Code	SP	SNAP ACTION	1NO+1NC
SND2169-SP- _	SP	SNAP ACTION	1NO+1NC

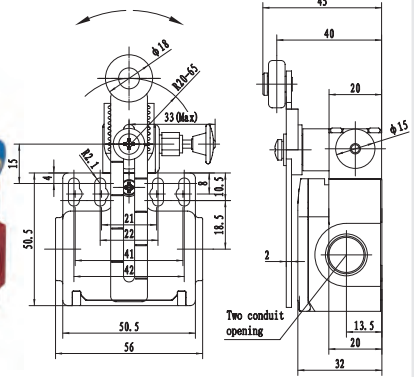
GLOBAL STYLE SAFETY LIMIT SWITCHES (PLASTIC BODIED EN50047 COMPATIBLE) SND2 SERIES (2 - CONDUIT ENTRIES WITH RESET)

SND2107-SR



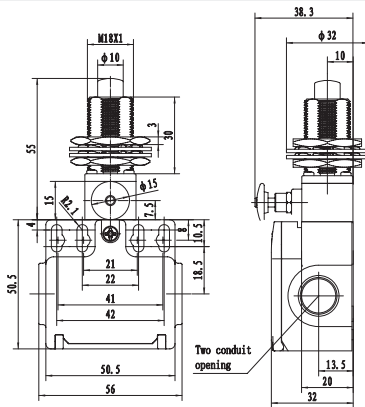
Order Code	Contact block		
SND2107-SP- _SR	SP	↻	snap action 1NO+1NC
SND2107-SL- _SR	SL	↻	slow action 1NO+1NC BBM
SND2107-SL1- _SR	SL1	↻	slow action 1NO+1NC MBB
SND2107-SL2- _SR	SL2	↻	slow action 2NC

SND2108-SR



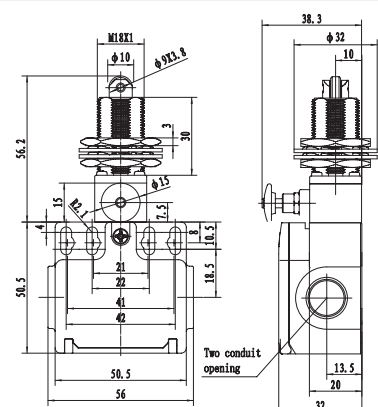
Order Code	Contact block		
SND2108-SP- _SR	SP	↻	snap action 1NO+1NC
SND2108-SL- _SR	SL	↻	slow action 1NO+1NC BBM
SND2108-SL1- _SR	SL1	↻	slow action 1NO+1NC MBB
SND2108-SL2- _SR	SL2	↻	slow action 2NC

SND2131-R



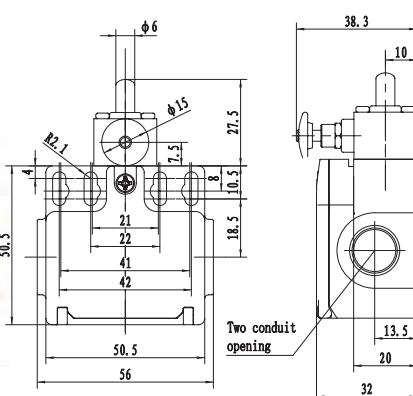
Order Code	Contact block		
SND2131-SP- _L - R	SP	↻	snap action 1NO+1NC
SND2131-SL- _L - R	SL	↻	slow action 1NO+1NC BBM
SND2131-SL1- _L - R	SL1	↻	slow action 1NO+1NC MBB
SND2131-SL2- _L - R	SL2	↻	slow action 2NC

SND2132-R



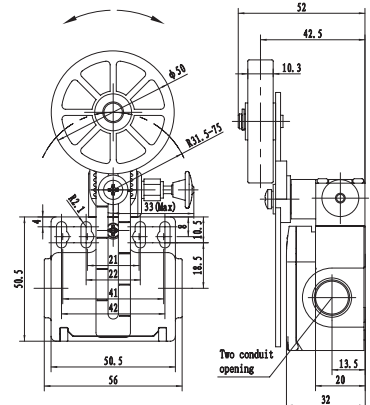
Order Code	Contact block		
SND2132-SP- _L - R	SP	↻	snap action 1NO+1NC
SND2132-SL- _L - R	SL	↻	slow action 1NO+1NC BBM
SND2132-SL1- _L - R	SL1	↻	slow action 1NO+1NC MBB
SND2132-SL2- _L - R	SL2	↻	slow action 2NC

SND2111-R



Order Code	Contact block		
SND2111-SP- _L - R	SP	↻	snap action 1NO+1NC
SND2111-SL- _L - R	SL	↻	slow action 1NO+1NC BBM
SND2111-SL1- _L - R	SL1	↻	slow action 1NO+1NC MBB
SND2111-SL2- _L - R	SL2	↻	slow action 2NC

SND2118-SR



Order Code	Contact block		
SND2118-SP- _SR	SP	↻	snap action 1NO+1NC
SND2118-SL- _SR	SL	↻	slow action 1NO+1NC BBM
SND2118-SL1- _SR	SL1	↻	slow action 1NO+1NC MBB
SND2118-SL2- _SR	SL2	↻	slow action 2NC

GLOBAL STYLE SAFETY LIMIT SWITCHES (METAL BODIED EN50047 COMPATIBLE) SN2 SERIES (3 - CONDUIT ENTRIES)

We are committed to delivering world class products and services efficiently and effectively to our customers. Your total satisfaction is our goal.



Features

- Zinc die cast body
- Earth grounding surface on same level as switching
- Easily interchangeable contact block
- Galvanically separated contacts
- Screw terminals with self-lifting clamps for easy wiring
- Positive Opening of NC contacts
- 4 x 90° actuator positions
- Cable entry available: M20, PG13.5 and 1/2"NPT
- Conform to EN 50047 standard

Definitions of Operating Characteristics

- OF Operating Force
- RF Releasing Force
- OT Overtravel
- TT Total Travel
- PT Pretravel
- MD Movement Differential
- OP Operating Position
- PO Travel to Positive Opening



Specifications

Operating Speed	0.05mm-2m/sec
Operating Frequency	Mechanical: 120ops/min Electrical: 30 ops/min
Insulation Resistance	>100MΩ@500V DC
Contact Resistance	<25mΩ (initial value)
Rated Thermal Current	10A/600V AC (EN60947-5-1) UL/cUL Listed (E216958) AC15 A600 / DC13 Q300
Dielectric Strength	1000VAC for 1 min between current carrying parts 2500VAC for 1 min between non-current carrying parts
Service Life	Mechanically 1.0 x10 ⁷ (operations) Electrically 5 x10 ⁵ (operations)
Operating Temperature	-25~+80°C (-13~176°F) with no icing
Humidity	< 95%RH
Weight	270-320g
Degree of Protection	IP67

Selection Guide:

SN21

Body Styles

04

Head Styles

SP

- SP: 1NO/1NC Snap action
- SPT: 2NO/2NC Snap action
- SL: BBM 1NO/1NC Slow Action changeover
- SL1: MBB 1NO/1NC Slow Action Overlapping
- SL2: 2NC Slow Action
- SL3: 2NO Slow Action
- SL4: 3NC Slow Action
- SL5: 3NO Slow Action
- SL6: BBM 2NC/1NO Slow Action changeover
- SL7: MBB 2NC/1NO Slow Action Overlapping
- SL8: BBM 2NO/1NC Slow Action changeover
- SL9: MBB 2NO/1NC Slow Action Overlapping

C

Conduits

- A: 1/2"NPT
- B: PG13.5
- C: M20 Conduits
- D: M16
- B1: PG11

R

- Blank
- R: with Reset

GLOBAL STYLE SAFETY LIMIT SWITCHES (METAL BODIED EN50047 COMPATIBLE) SN2 SERIES (3 - CONDUIT ENTRIES)

Available contact blocks and travel diagrams



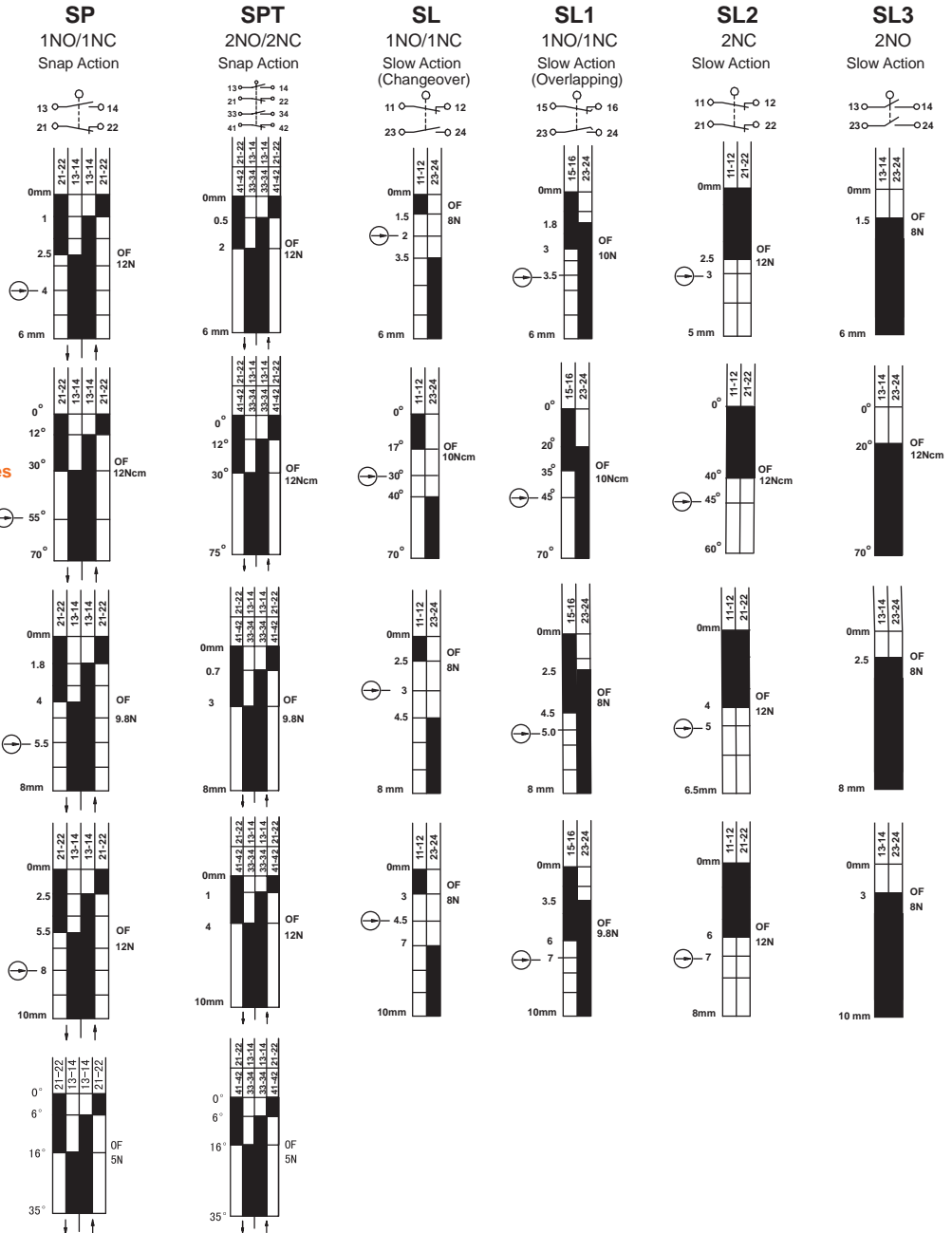
Plunger type
11,12 styles

Side rotary type
04, 07, 08, 14, 18 Styles

62, 63 styles

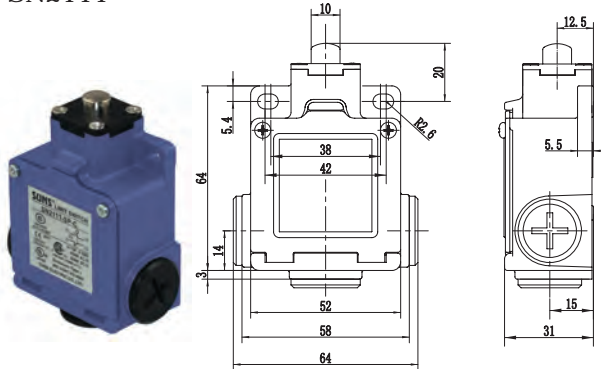
72, 73 styles

00, 66,69 styles



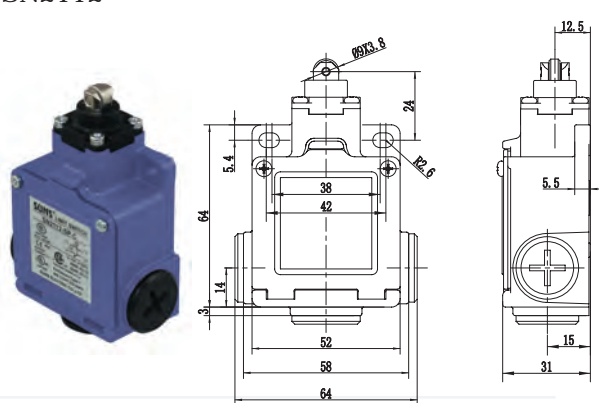
GLOBAL STYLE SAFETY LIMIT SWITCHES (METAL BODIED EN50047 COMPATIBLE) SN2 SERIES (3 - CONDUIT ENTRIES)

SN2111



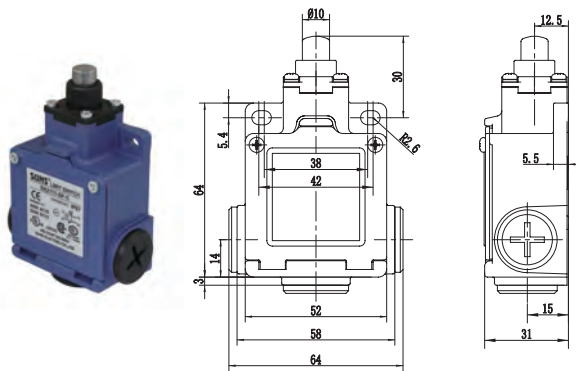
Order Code	Contact block		
SN2111-SP- _	SP	→	snap action 1NO+1NC
SN2111-SL- _	SL	→	slow action 1NO+1NC BBM
SN2111-SL1- _	SL1	→	slow action 1NO+1NC MBB
SN2111-SL2- _	SL2	→	slow action 2NC

SN2112



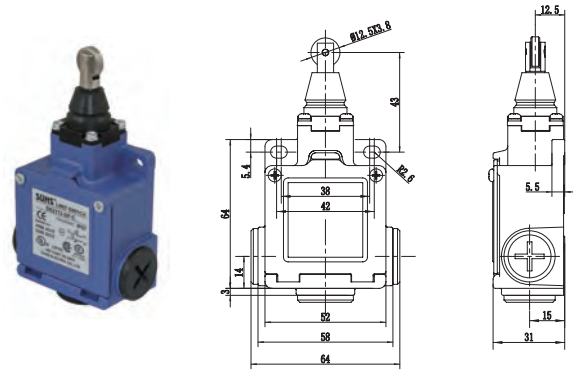
Order Code	Contact block		
SN2112-SP- _	SP	→	snap action 1NO+1NC
SN2112-SL- _	SL	→	slow action 1NO+1NC BBM
SN2112-SL1- _	SL1	→	slow action 1NO+1NC MBB
SN2112-SL2- _	SL2	→	slow action 2NC

SN2111-L



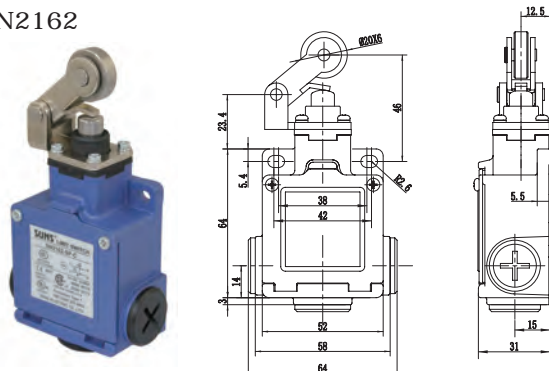
Order Code	Contact block		
SN2111-SP- _L	SP	→	snap action 1NO+1NC
SN2111-SL- _L	SL	→	slow action 1NO+1NC BBM
SN2111-SL1- _L	SL1	→	slow action 1NO+1NC MBB
SN2111-SL2- _L	SL2	→	slow action 2NC

SN2112-L



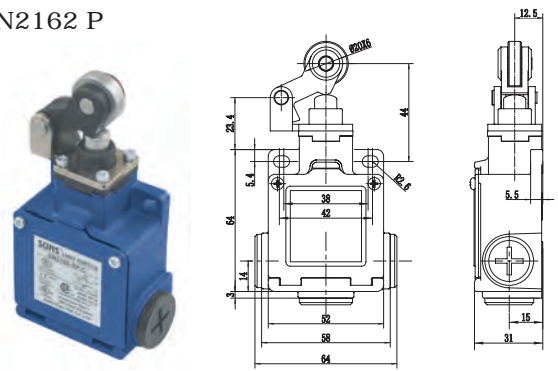
Order Code	Contact block		
SN2112-SP- _L	SP	→	snap action 1NO+1NC
SN2112-SL- _L	SL	→	slow action 1NO+1NC BBM
SN2112-SL1- _L	SL1	→	slow action 1NO+1NC MBB
SN2112-SL2- _L	SL2	→	slow action 2NC

SN2162



Order Code	Contact block		
SN2162-SP- _	SP	→	snap action 1NO+1NC
SN2162-SL- _	SL	→	slow action 1NO+1NC BBM
SN2162-SL1- _	SL1	→	slow action 1NO+1NC MBB
SN2162-SL2- _	SL2	→	slow action 2NC

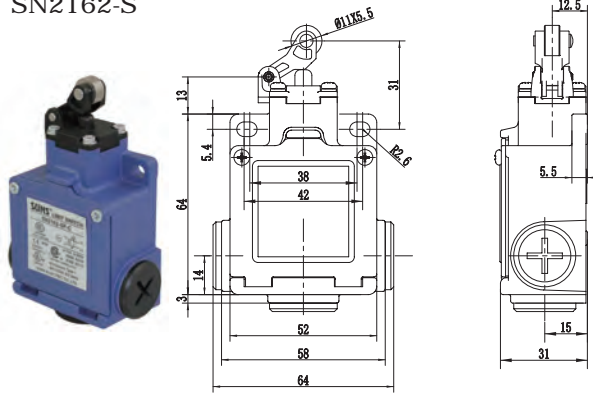
SN2162 P



Order Code	Contact block		
SN2162-SP- _P	SP	→	snap action 1NO+1NC
SN2162-SL- _P	SL	→	slow action 1NO+1NC BBM
SN2162-SL1- _P	SL1	→	slow action 1NO+1NC MBB
SN2162-SL2- _P	SL2	→	slow action 2NC

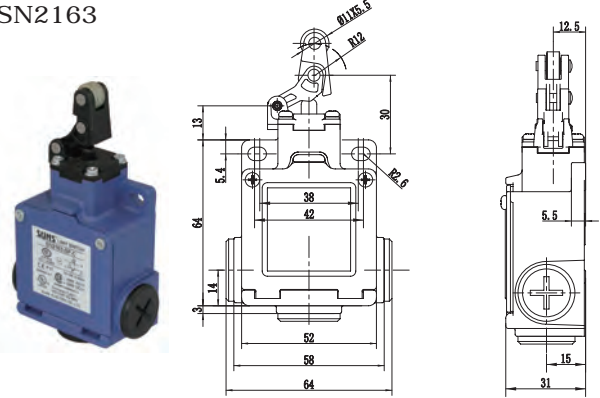
GLOBAL STYLE SAFETY LIMIT SWITCHES (METAL BODIED EN50047 COMPATIBLE) SN2 SERIES (3 - CONDUIT ENTRIES)

SN2162-S



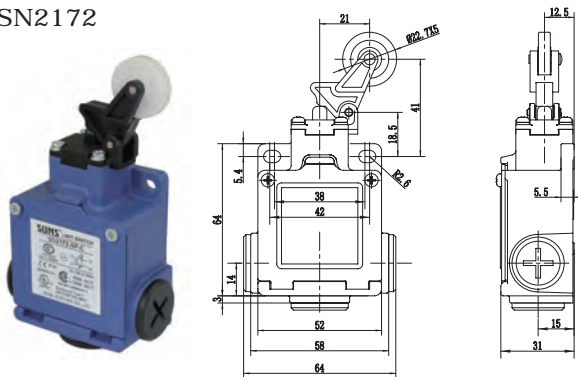
Order Code	Contact block			
SN2162-SP-_-S	SP	→	snap action	1NO+1NC
SN2162-SL-_-S	SL	→	slow action	1NO+1NC BBM
SN2162-SL1-_-S	SL1	→	slow action	1NO+1NC MBB
SN2162-SL2-_-S	SL2	→	slow action	2NC

SN2163



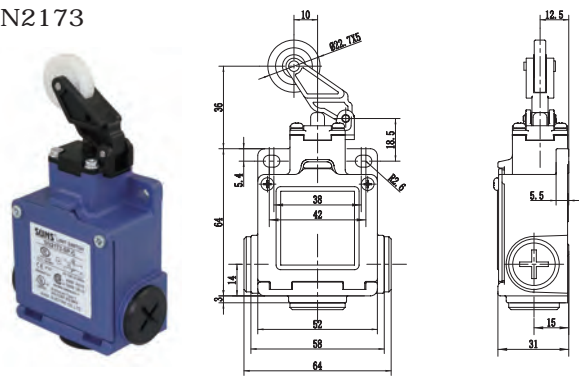
Order Code	Contact block			
SN2163-SP-_-	SP	→	snap action	1NO+1NC
SN2163-SL-_-	SL	→	slow action	1NO+1NC BBM
SN2163-SL1-_-	SL1	→	slow action	1NO+1NC MBB
SN2163-SL2-_-	SL2	→	slow action	2NC

SN2172



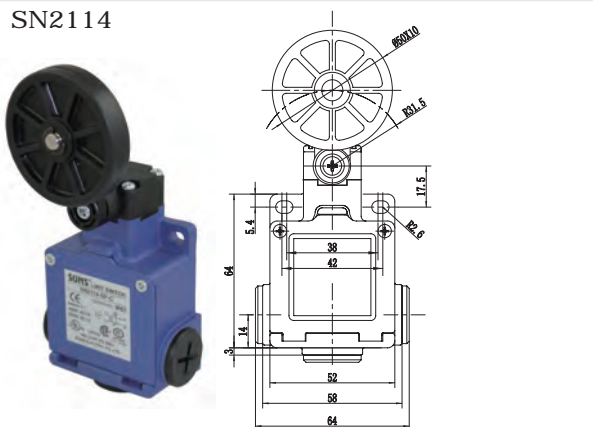
Order Code	Contact block			
SN2172-SP-_-	SP	→	snap action	1NO+1NC
SN2172-SL-_-	SL	→	slow action	1NO+1NC BBM
SN2172-SL1-_-	SL1	→	slow action	1NO+1NC MBB
SN2172-SL2-_-	SL2	→	slow action	2NC

SN2173



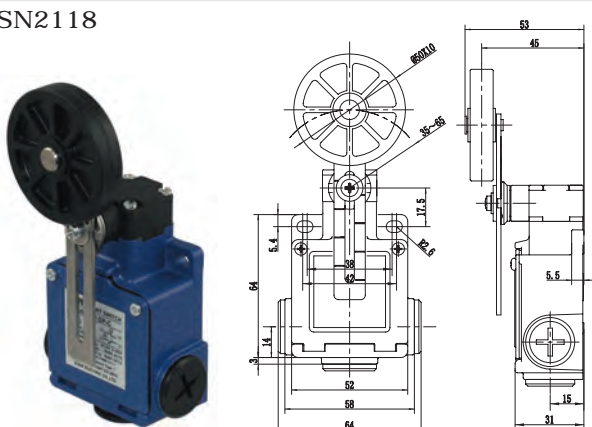
Order Code	Contact block			
SN2173-SP-_-	SP	→	snap action	1NO+1NC
SN2173-SL-_-	SL	→	slow action	1NO+1NC BBM
SN2173-SL1-_-	SL1	→	slow action	1NO+1NC MBB
SN2173-SL2-_-	SL2	→	slow action	2NC

SN2114



Order Code	Contact block			
SN2114-SP-_-	SP	→	snap action	1NO+1NC
SN2114-SL-_-	SL	→	slow action	1NO+1NC BBM
SN2114-SL1-_-	SL1	→	slow action	1NO+1NC MBB
SN2114-SL2-_-	SL2	→	slow action	2NC

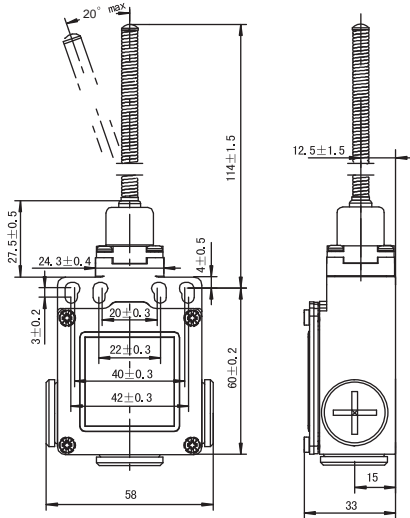
SN2118



Order Code	Contact block			
SN2118-SP-_-	SP	→	snap action	1NO+1NC
SN2118-SL-_-	SL	→	slow action	1NO+1NC BBM
SN2118-SL1-_-	SL1	→	slow action	1NO+1NC MBB
SN2118-SL2-_-	SL2	→	slow action	2NC

GLOBAL STYLE SAFETY LIMIT SWITCHES (METAL BODIED EN50047 COMPATIBLE) SN2 SERIES (3 - CONDUIT ENTRIES)

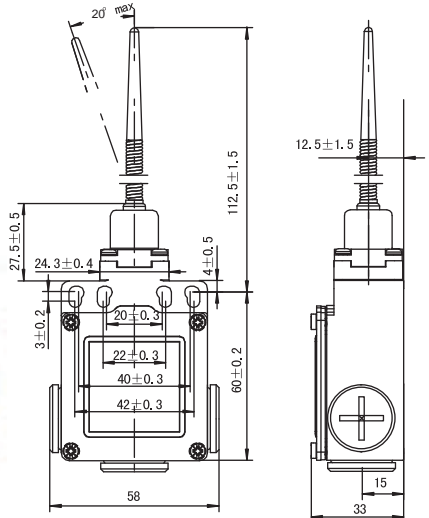
SN2100



Order Code

SN2100-SP- _ SP snap action 1NO+1NC

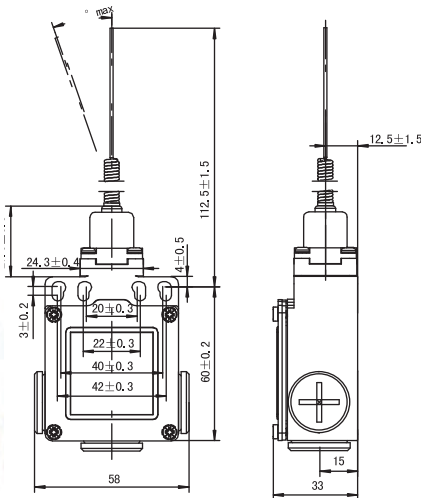
SN2166



Order Code

SN2166-SP- _ SP snap action 1NO+1NC

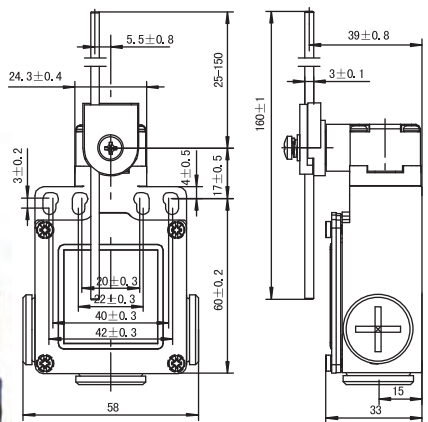
SN2169



Order Code

SN2169-SP- _ SP snap action 1NO+1NC

SN2107

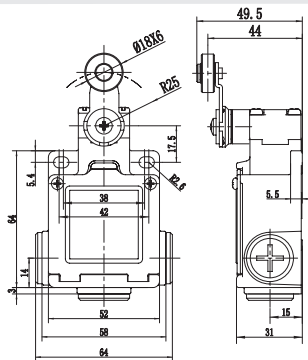


Order Code

Contact block

SN2107-SP- _	SP		snap action	1NO+1NC
SN2107-SL- _	SL		slow action	1NO+1NC BBM
SN2107-SL1- _	SL1		slow action	1NO+1NC MBB
SN2107-SL2- _	SL2		slow action	2NC

SN2104

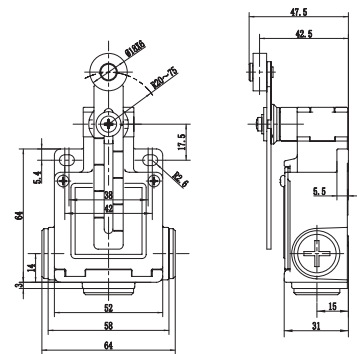


Order Code

Contact block

SN2104-SP- _	SP		snap action	1NO+1NC
SN2104-SL- _	SL		slow action	1NO+1NC BBM
SN2104-SL1- _	SL1		slow action	1NO+1NC MBB
SN2104-SL2- _	SL2		slow action	2NC

SN2108



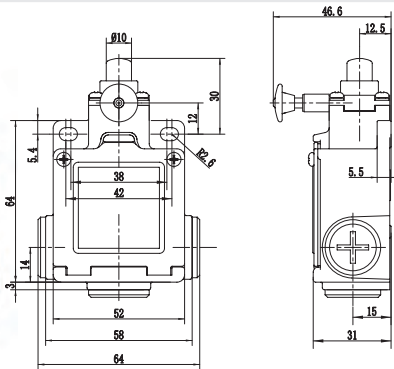
Order Code

Contact block

SN2108-SP- _	SP		snap action	1NO+1NC
SN2108-SL- _	SL		slow action	1NO+1NC BBM
SN2108-SL1- _	SL1		slow action	1NO+1NC MBB
SN2108-SL2- _	SL2		slow action	2NC

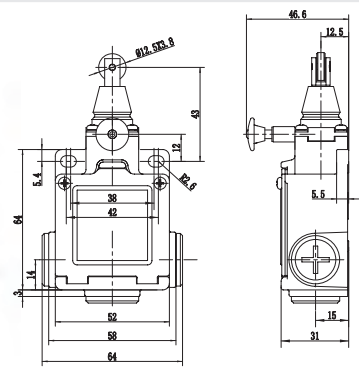
GLOBAL STYLE SAFETY LIMIT SWITCHES (METAL BODIED EN50047 COMPATIBLE) SN2 SERIES (3 - CONDUIT ENTRIES WITH RESET)

SN2111-R



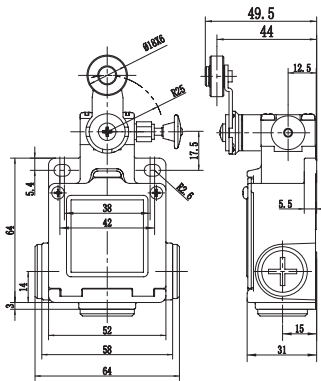
Order Code	Contact block		
SN2111-SP- _R	SP	↻	snap action 1NO+1NC
SN2111-SL- _R	SL	↻	slow action 1NO+1NC BBM
SN2111-SL1- _R	SL1	↻	slow action 1NO+1NC MBB
SN2111-SL2- _R	SL2	↻	slow action 2NC

SN2112-R



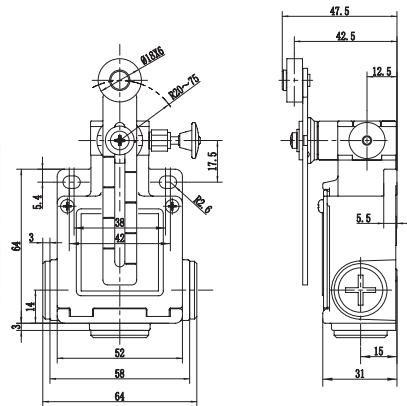
Order Code	Contact block		
SN2112-SP- _R	SP	↻	snap action 1NO+1NC
SN2112-SL- _R	SL	↻	slow action 1NO+1NC BBM
SN2112-SL1- _R	SL1	↻	slow action 1NO+1NC MBB
SN2112-SL2- _R	SL2	↻	slow action 2NC

SN2104-R



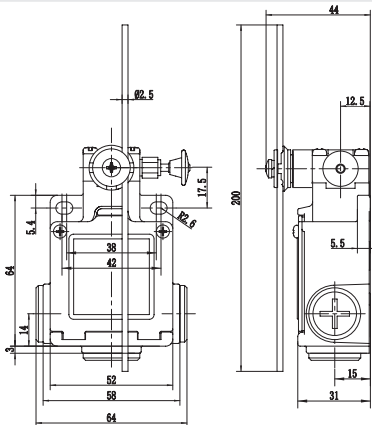
Order Code	Contact block		
SN2104-SP- _R	SP	↻	snap action 1NO+1NC
SN2104-SL- _R	SL	↻	slow action 1NO+1NC BBM
SN2104-SL1- _R	SL1	↻	slow action 1NO+1NC MBB
SN2104-SL2- _R	SL2	↻	slow action 2NC

SN2108-R



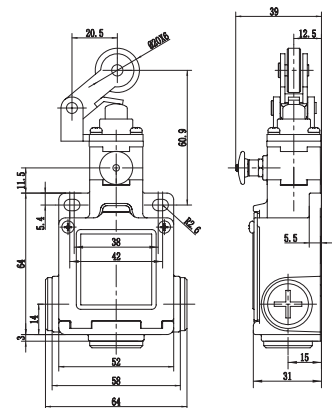
Order Code	Contact block		
SN2108-SP- _R	SP	↻	snap action 1NO+1NC
SN2108-SL- _R	SL	↻	slow action 1NO+1NC BBM
SN2108-SL1- _R	SL1	↻	slow action 1NO+1NC MBB
SN2108-SL2- _R	SL2	↻	slow action 2NC

SN2107-R



Order Code	Contact block		
SN2107-SP- _R	SP	↻	snap action 1NO+1NC
SN2107-SL- _R	SL	↻	slow action 1NO+1NC BBM
SN2107-SL1- _R	SL1	↻	slow action 1NO+1NC MBB
SN2107-SL2- _R	SL2	↻	slow action 2NC

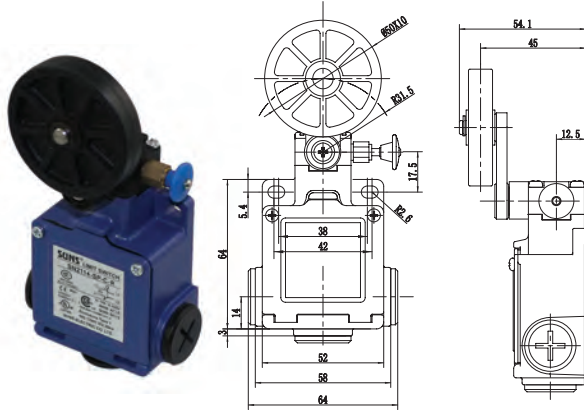
SN2162-R



Order Code	Contact block		
SN2162-SP- _R	SP	↻	snap action 1NO+1NC
SN2162-SL- _R	SL	↻	slow action 1NO+1NC BBM
SN2162-SL1- _R	SL1	↻	slow action 1NO+1NC MBB
SN2162-SL2- _R	SL2	↻	slow action 2NC

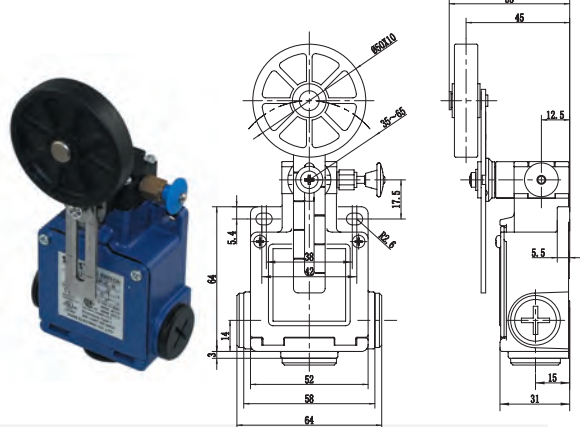
GLOBAL STYLE SAFETY LIMIT SWITCHES (METAL BODIED EN50047 COMPATIBLE) SN2 SERIES (3 - CONDUIT ENTRIES WITH RESET)

SN2114-R



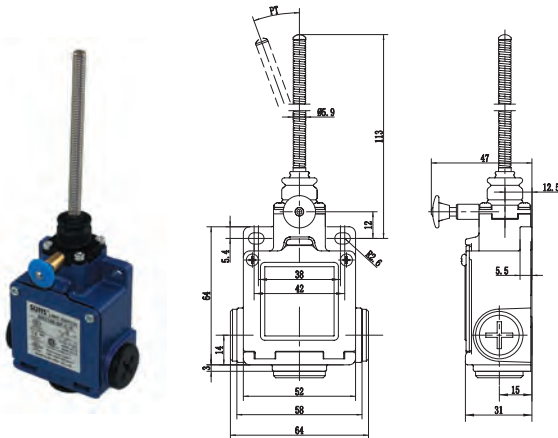
Order Code	Contact block	SP	SL	SL1	SL2	Action	Contacts
SN2114-SP- _R	SP	⊕				snap action	1NO+1NC
SN2114-SL- _R	SL		⊕			slow action	1NO+1NC BBM
SN2114-SL1- _R	SL1			⊕		slow action	1NO+1NC MBB
SN2114-SL2- _R	SL2				⊕	slow action	2NC

SN2118-R



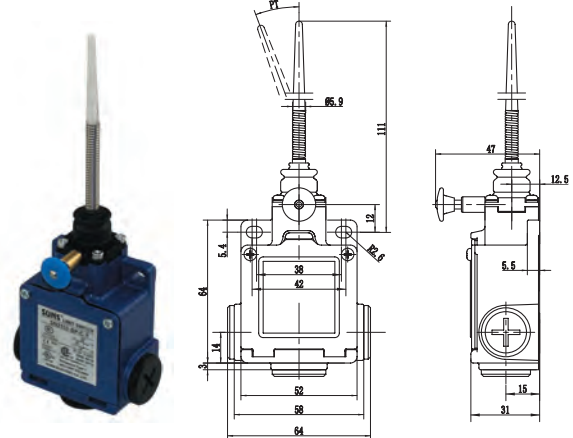
Order Code	Contact block	SP	SL	SL1	SL2	Action	Contacts
SN2118-SP- _R	SP	⊕				snap action	1NO+1NC
SN2118-SL- _R	SL		⊕			slow action	1NO+1NC BBM
SN2118-SL1- _R	SL1			⊕		slow action	1NO+1NC MBB
SN2118-SL2- _R	SL2				⊕	slow action	2NC

SN2100-R



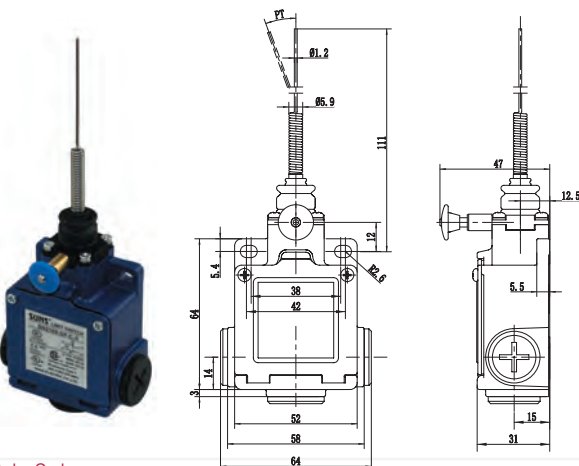
Order Code	Contact block	SP	Action	Contacts
SN2100-SP- _R	SP		snap action	1NO+1NC

SN2166-R



Order Code	Contact block	SP	Action	Contacts
SN2166-SP- _R	SP		snap action	1NO+1NC

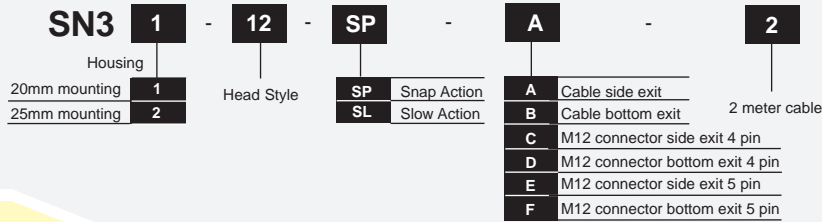
SN2169-R



Order Code	Contact block	SP	Action	Contacts
SN2169-SP- _R	SP		snap action	1NO+1NC

COMPACT LIMIT SWITCHES (Metal Body, IP67 Water-Proof) SN31 SERIES (20mm) and SN32 SERIES (25mm)

Selection Guide:



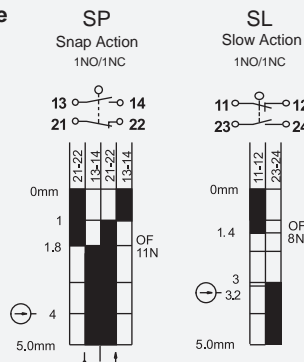
Specification

Operating Speed	0.05mm-2m/s
Operating Frequency	Mechanical: 120ops/min Electrical: 30 ops/min
Insulation Resistance	>100MΩ@500V DC
Contact Resistance	<25mΩ (initial value)
Rated Voltage	300V AC (EN60947-5-1)
Rated Thermal Current	10A
Electrical Rating	AC15 A300 DC13 Q300
Dielectric Strength	1000VAC for 1 min between current carrying parts 2500VAC for 1 min between non-current carrying parts
Service Life	Mechanically 1 x 10 ⁷ (operations) Electrically 5 x 10 ⁵ (operations)
Operating Temperature	-25~+85°C without formation of ice
Humidity	< 95%
Cable	5 core, 0.75mm ²
Degree of Protection	IP67

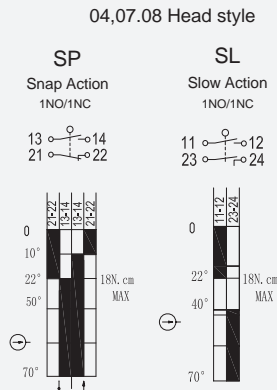
Electrical Ratings

IEC 60947-5-1 / EN 90947-5-1							
Designation & Utilization Category	Rated operational current I _e (A) at rated operational voltage U _e					VA rating	
	120V	240V	380V	480V	600V	Make	Break
AC15 A600	120V 6A	240V 3A	380V -	480V -	600V -	7200	720
DC13 Q300	125VDC 0.55	250VDC 0.27				69	69

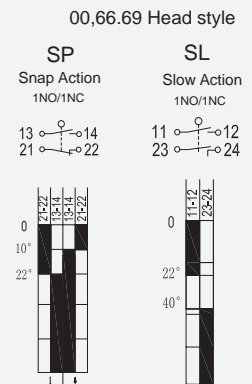
Plunger Style



Rotary Style



Spring Coil Style



COMPACT LIMIT SWITCHES (Metal Body, IP67 Water-Proof) SN31 SERIES (20mm)

<p>Order Code</p> <p>SN3101-SP SP ↻ snap action 1NO+1NC</p> <p>SN3101-SL SL ↻ slow action 1NO+1NC BBM</p>	<p>Order Code</p> <p>SN3112-SP SP ↻ snap action 1NO+1NC</p> <p>SN3112-SL SL ↻ slow action 1NO+1NC BBM</p>
<p>Order Code</p> <p>SN3111-SP SP ↻ snap action 1NO+1NC</p> <p>SN3111-SL SL ↻ slow action 1NO+1NC BBM</p>	<p>Order Code</p> <p>SN3122-SP SP ↻ snap action 1NO+1NC</p> <p>SN3122-SL SL ↻ slow action 1NO+1NC BBM</p>
<p>Order Code</p> <p>SN3121-SP SP ↻ snap action 1NO+1NC</p> <p>SN3121-SL SL ↻ slow action 1NO+1NC BBM</p>	<p>Order Code</p> <p>SN3102-SP SP ↻ snap action 1NO+1NC</p> <p>SN3102-SL SL ↻ slow action 1NO+1NC BBM</p>
<p>Order Code</p> <p>SN3131-SP SP ↻ snap action 1NO+1NC</p> <p>SN3131-SL SL ↻ slow action 1NO+1NC BBM</p>	<p>Order Code</p> <p>SN3103-SP SP ↻ snap action 1NO+1NC</p> <p>SN3103-SL SL ↻ slow action 1NO+1NC BBM</p>

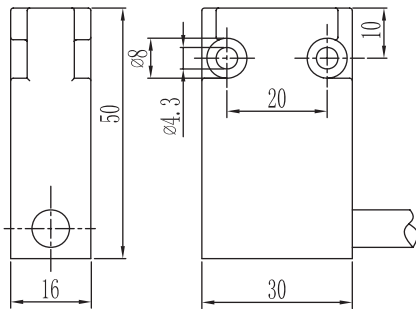
COMPACT LIMIT SWITCHES (Metal Body, IP67 Water-Proof) SN31 SERIES (20mm)

<p>Order Code</p> <p>SN3132-SP SP snap action 1NO+1NC</p> <p>SN3132-SL SL slow action 1NO+1NC BBM</p>	<p>Order Code</p> <p>SN3142-SP SP snap action 1NO+1NC</p> <p>SN3142-SL SL slow action 1NO+1NC BBM</p>
<p>Order Code</p> <p>SN3104-SP SP snap action 1NO+1NC</p> <p>SN3104-SL SL slow action 1NO+1NC BBM</p>	<p>Order Code</p> <p>SN3104-SP-S SP snap action 1NO+1NC</p> <p>SN3104-SL-S SL slow action 1NO+1NC BBM</p>
<p>Order Code</p> <p>SN3107-SP SP snap action 1NO+1NC</p> <p>SN3107-SL SL slow action 1NO+1NC BBM</p>	<p>Order Code</p> <p>SN3108-SP SP snap action 1NO+1NC</p> <p>SN3108-SL SL slow action 1NO+1NC BBM</p>
<p>Order Code</p> <p>SN3111-SP G SP snap action 1NO+1NC</p> <p>SN3111-SL G SL slow action 1NO+1NC BBM</p>	<p>Order Code</p> <p>SN3166-SP SP snap action 1NO+1NC</p> <p>SN3166-SL SL slow action 1NO+1NC BBM</p>

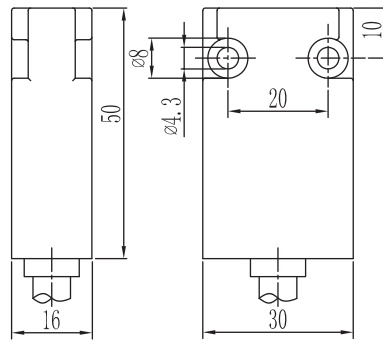
COMPACT LIMIT SWITCHES (Metal Body, IP67 Water-Proof) SN31 SERIES (20mm)

Basic Body dimension:

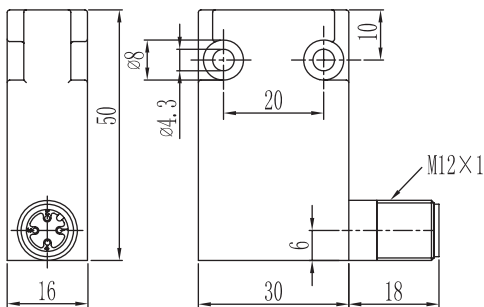
Suffix: -A (cable side exit)



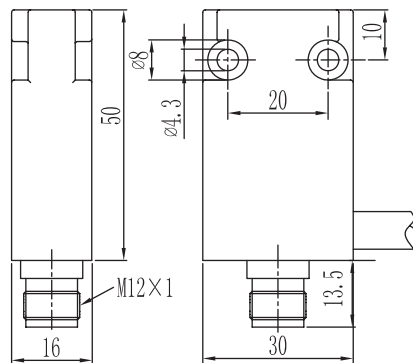
Suffix: -B (cable bottom exit)



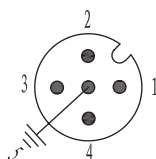
Suffix: -C or -C1 (M12 quick connector side exit 4 pin)
Suffix: -E (M12 quick connector side exit 5 pin)



Suffix: -D or -D1 (M12 Quick Connector bottom exit 4 pin)
Suffix: -F (M12 Quick Connector bottom exit 5 pin)

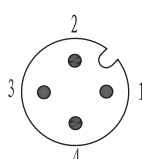


-E -F: 5 pin M12



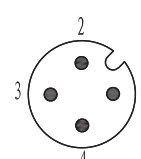
1-2=NC
3-4=NO
5=⏏

-C -D: 4 pin M12



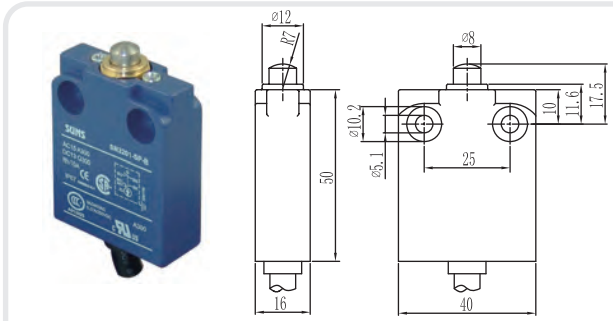
1-2=NC
3-4=NO

-C1 -D1: 4 pin M12

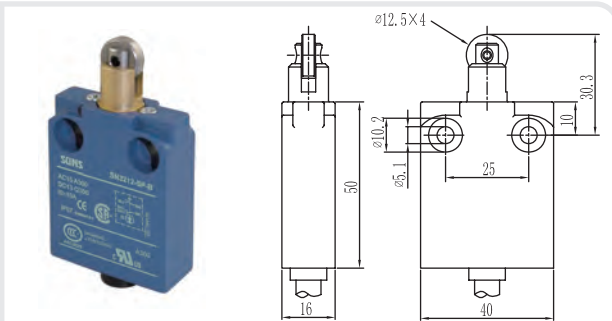


1=COM
2=NC
4=NO
3=⏏

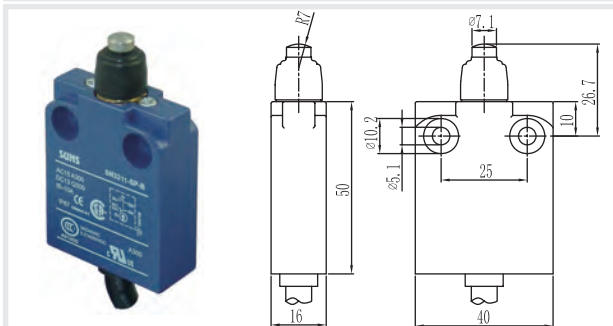
COMPACT LIMIT SWITCHES (Metal Body, IP67 Water-Proof) SN32 SERIES (25mm) 5-CORE



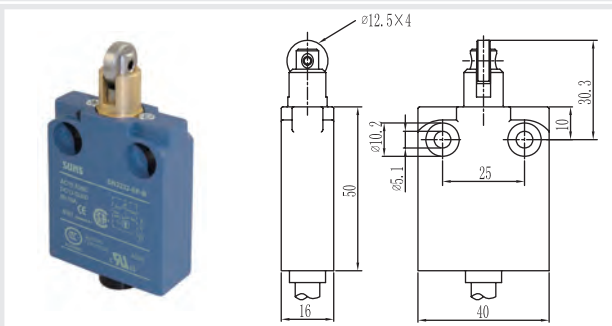
Order Code	Contact block	Action	Configuration
SN3201-SP	SP	→ snap action	1NO+1NC
SN3201-SL	SL	→ slow action	1NO+1NC BBM



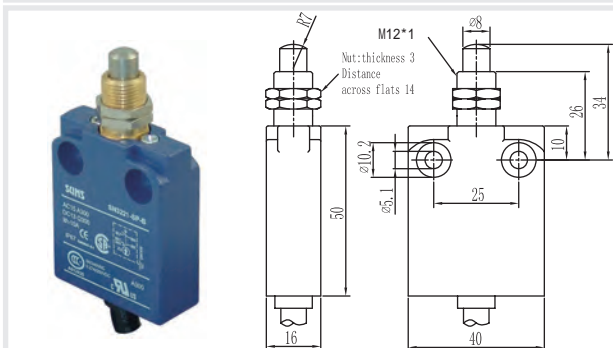
Order Code	Contact block	Action	Configuration
SN3212-SP	SP	→ snap action	1NO+1NC
SN3212-SL	SL	→ slow action	1NO+1NC BBM



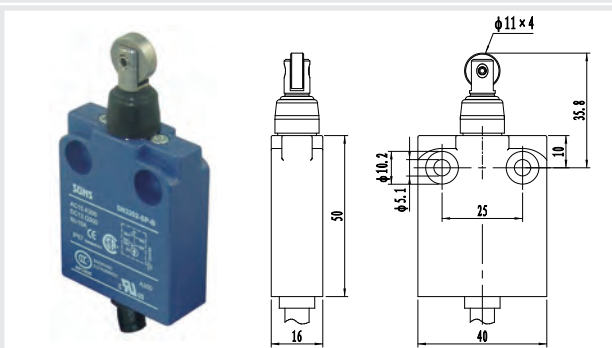
Order Code	Contact block	Action	Configuration
SN3211-SP	SP	→ snap action	1NO+1NC
SN3211-SL	SL	→ slow action	1NO+1NC BBM



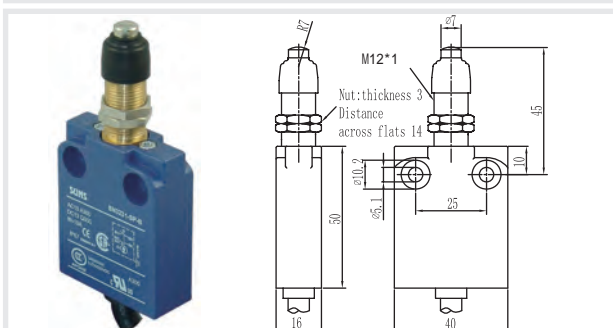
Order Code	Contact block	Action	Configuration
SN3222-SP	SP	→ snap action	1NO+1NC
SN3222-SL	SL	→ slow action	1NO+1NC BBM



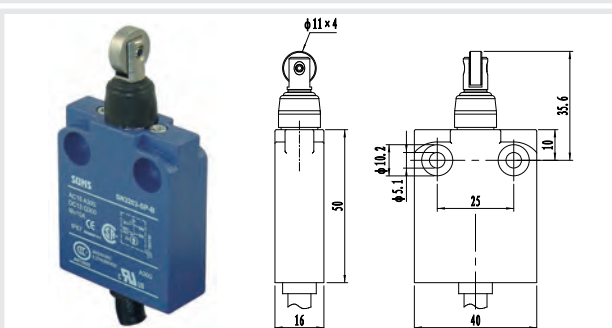
Order Code	Contact block	Action	Configuration
SN3221-SP	SP	→ snap action	1NO+1NC
SN3221-SL	SL	→ slow action	1NO+1NC BBM



Order Code	Contact block	Action	Configuration
SN3202-SP	SP	→ snap action	1NO+1NC
SN3202-SL	SL	→ slow action	1NO+1NC BBM



Order Code	Contact block	Action	Configuration
SN3231-SP	SP	→ snap action	1NO+1NC
SN3231-SL	SL	→ slow action	1NO+1NC BBM



Order Code	Contact block	Action	Configuration
SN3203-SP	SP	→ snap action	1NO+1NC
SN3203-SL	SL	→ slow action	1NO+1NC BBM

COMPACT LIMIT SWITCHES (Metal Body, IP67 Water-Proof) SN32 SERIES (25mm) 5-CORE

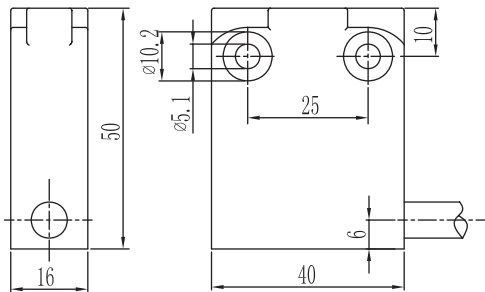
<p>Order Code Contact block</p> <p>SN3232-SP SP snap action 1NO+1NC</p> <p>SN3232-SL SL slow action 1NO+1NC BBM</p>	<p>Order Code Contact block</p> <p>SN3242-SP SP snap action 1NO+1NC</p> <p>SN3242-SL SL slow action 1NO+1NC BBM</p>
<p>Order Code Contact block</p> <p>SN3204-SP SP snap action 1NO+1NC</p> <p>SN3204-SL SL slow action 1NO+1NC BBM</p>	<p>Order Code Contact block</p> <p>SN3204-SP-S SP snap action 1NO+1NC</p> <p>SN3204-SL-S SL slow action 1NO+1NC BBM</p>
<p>Order Code Contact block</p> <p>SN3207-SP SP snap action 1NO+1NC</p> <p>SN3207-SL SL slow action 1NO+1NC BBM</p>	<p>Order Code Contact block</p> <p>SN3208-SP SP snap action 1NO+1NC</p> <p>SN3208-SL SL slow action 1NO+1NC BBM</p>
<p>Order Code Contact block</p> <p>SN3211-SP G SP snap action 1NO+1NC</p> <p>SN3211-SL G SL slow action 1NO+1NC BBM</p>	<p>Order Code Contact block</p> <p>SN3266-SP SP snap action 1NO+1NC</p> <p>SN3266-SL SL slow action 1NO+1NC BBM</p>

COMPACT LIMIT SWITCHES (Metal Body, IP67 Water-Proof)

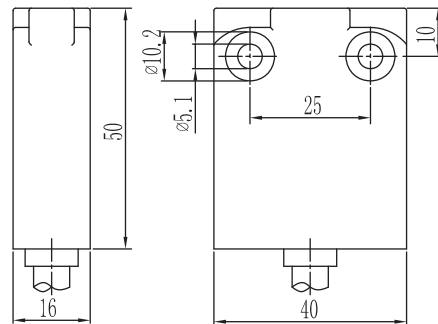
SN32 SERIES (25mm) 5-CORE

Basic Body dimension:

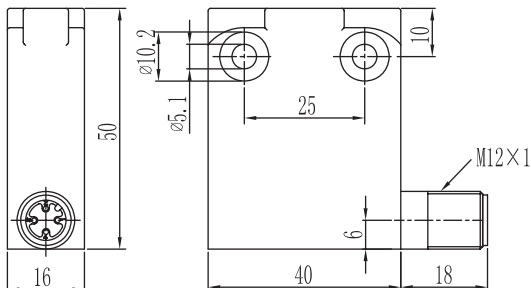
Suffix: -A (cable side exit)



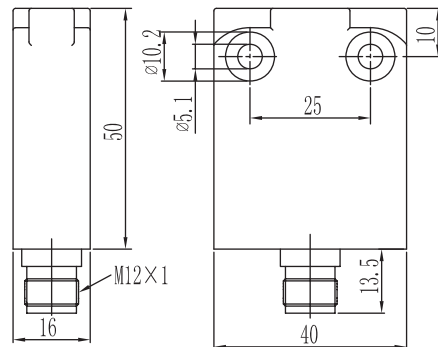
Suffix: -B (cable bottom exit)



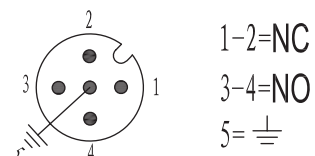
Suffix: -C or -C1 (M12 quick connector side exit 4 pin)
Suffix: -E (M12 quick connector side exit 5 pin)



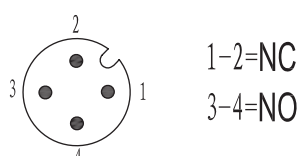
Suffix: -D or -D1 (M12 Quick Connector bottom exit 4 pin)
Suffix: -F (M12 Quick Connector bottom exit 5 pin)



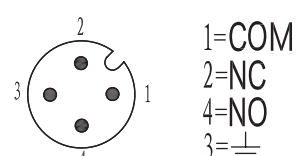
-E -F: 5 pin M12



-C -D: 4 pin M12



-C1 -D1: 4 pin M12



SN32(H) High Precision Compact Limit Switches (IP67 Water-Proof) SN32(H) SERIES (25mm) 4-CORE

Selection Guide:

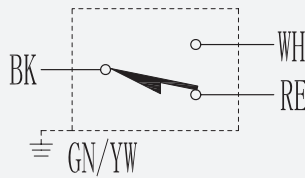
SN32 - **12** - **SP** - **A** - **2** - **(H)**

Head Style

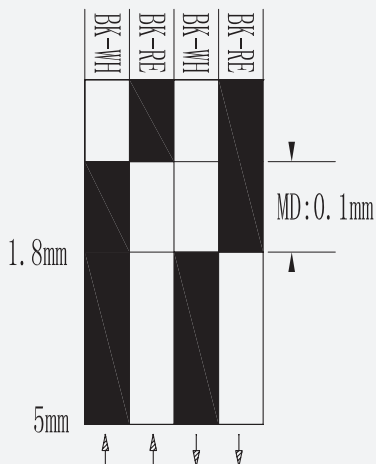
A	Cable side exit	2 meter cable
B	Cable bottom exit	
C	M12 connector side exit 4 pin	
C1	M12 connector side exit 4 pin	
C2	M12 connector side exit 4 pin	
D	M12 connector bottom exit 4 pin	
D1	M12 connector bottom exit 4 pin	
D2	M12 connector bottom exit 4 pin	

Specification

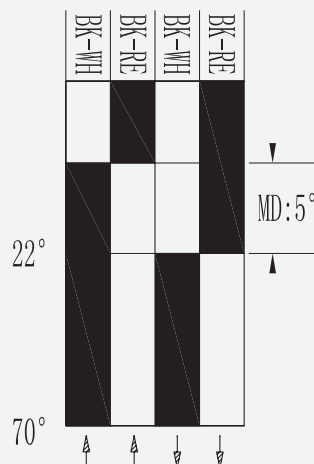
Operating Speed	0.05mm-2m/s
Operating Frequency	Mechanical: 120ops/min Electrical: 30 ops/min
Insulation Resistance	>100MΩ@500V DC
Contact Resistance	<25mΩ (initial value)
Rated Voltage	300V AC (EN60947-5-1)
Rated Thermal Current	10A
Electrical Rating	AC15 A300 DC13 Q300
Dielectric Strength	1000VAC for 1 min between current carrying parts 2500VAC for 1 min between non-current carrying parts
Service Life	Mechanically 1.0 x10 ⁷ (operations) Electrically 5 x10 ⁵ (operations)
Operating Temperature	-25~+85°C without formation of ice
Humidity	< 95%
Cable	4 core, SJT
Degree of Protection	IP67



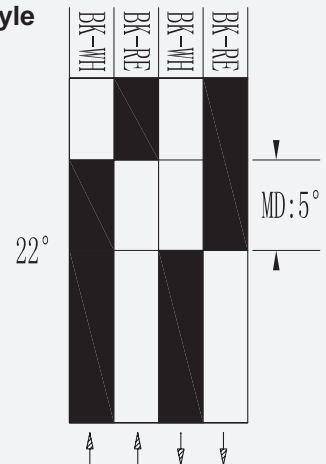
Plunger Style



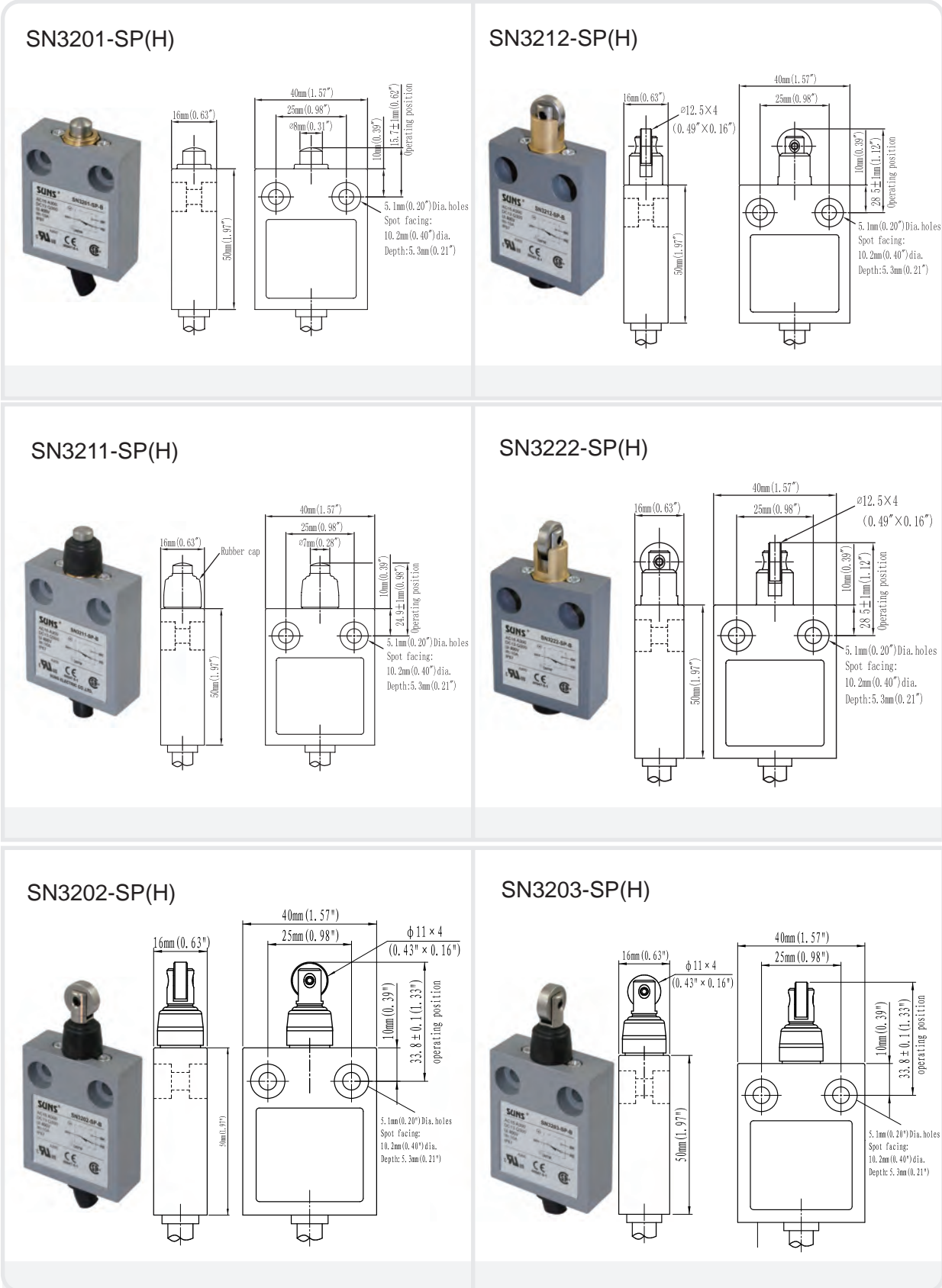
Rotary Style



Spring Coil Style

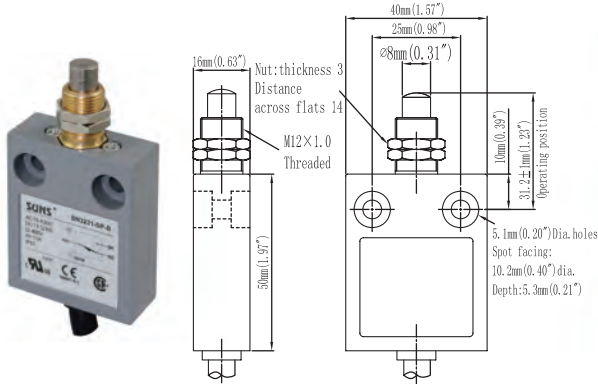


SN32(H) High Precision Compact Limit Switches (IP67 Water-Proof) SN32(H) SERIES (25mm) 4-CORE

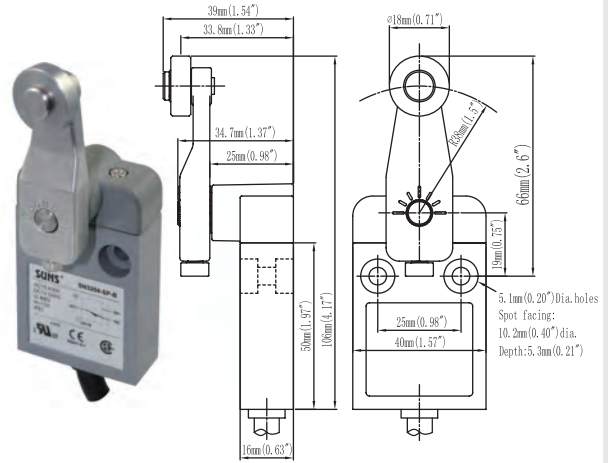


SN32(H) High Precision Compact Limit Switches (IP67 Water-Proof) SN32(H) SERIES (25mm) 4-CORE

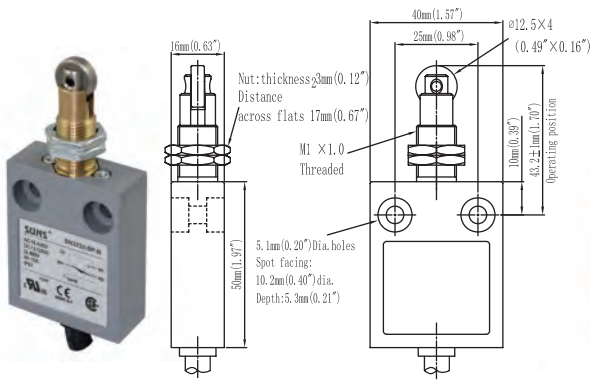
SN3221-SP(H)



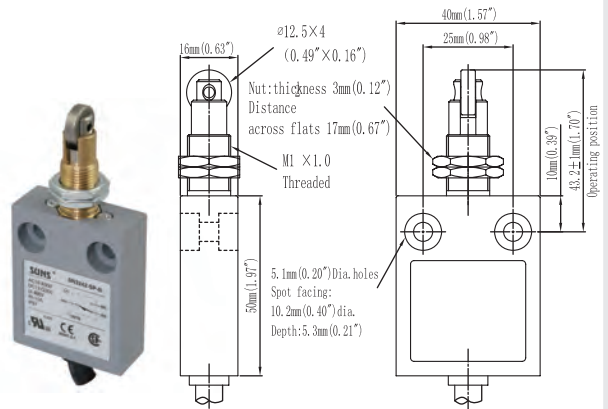
SN3204-SP(H)



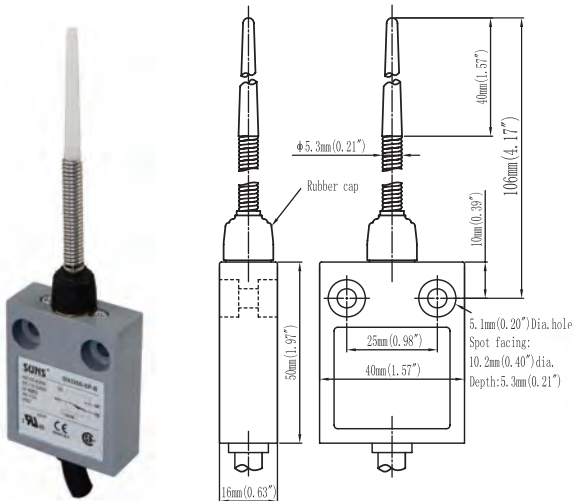
SN3232-SP(H)



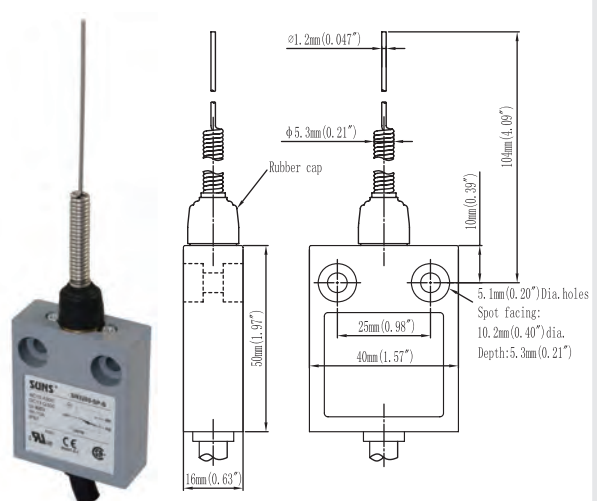
SN3242-SP(H)



SN3266-SP(H)



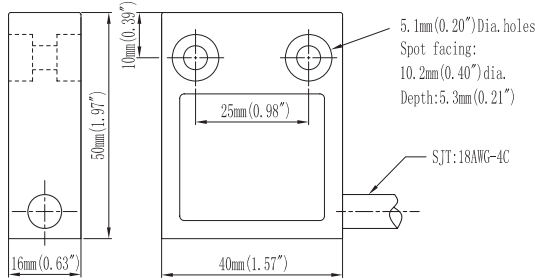
SN3269-SP(H)



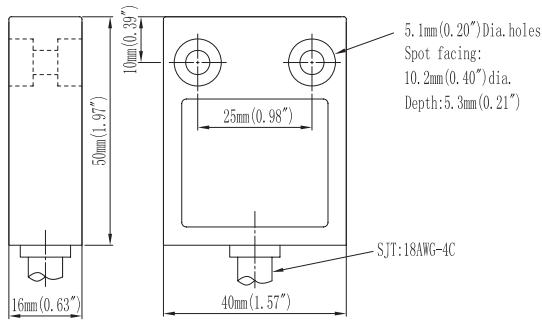
SN32(H) High Precision Compact Limit Switches (IP67 Water-Proof) SN32(H) SERIES (25mm) 4-CORE

Basic Body dimension:

Suffix: -A (cable side exit)



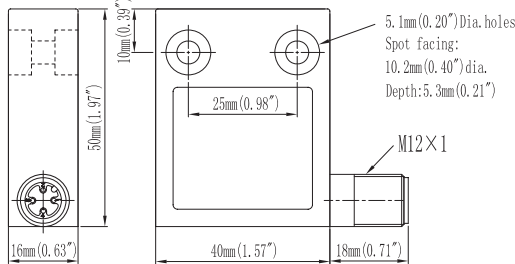
Suffix: -B (cable bottom exit)



Suffix: -C (M12 quick connector side exit 4 pin)

Suffix: -C1 (M12 quick connector side exit 4 pin)

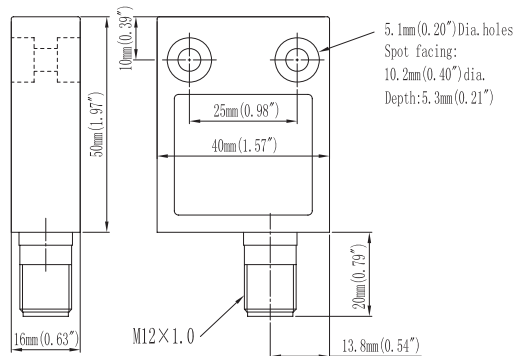
Suffix: -C2 (M12 quick connector side exit 4 pin)



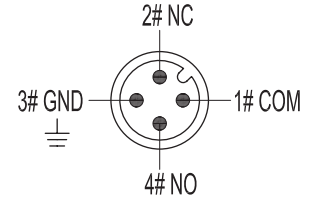
Suffix: -D (M12 Quick Connector bottom exit 4 pin)

Suffix: -D1 (M12 Quick Connector bottom exit 4 pin)

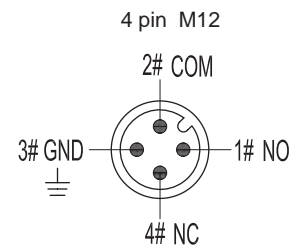
Suffix: -D2 (M12 Quick Connector bottom exit 4 pin)



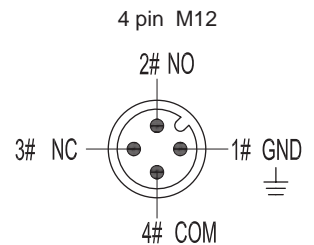
-C and -D



-C1 and -D1



-C2 and -D2



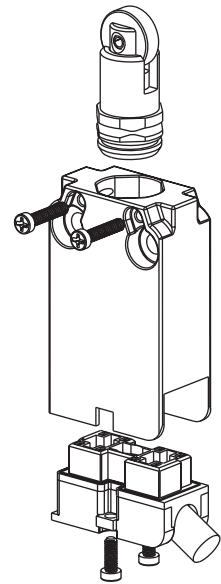
Compact Safety Limit Switches (Modular Design, Metal body, IP67) SM31 SERIES (20mm) and SM32 SERIES (25mm)

Selection Guide:

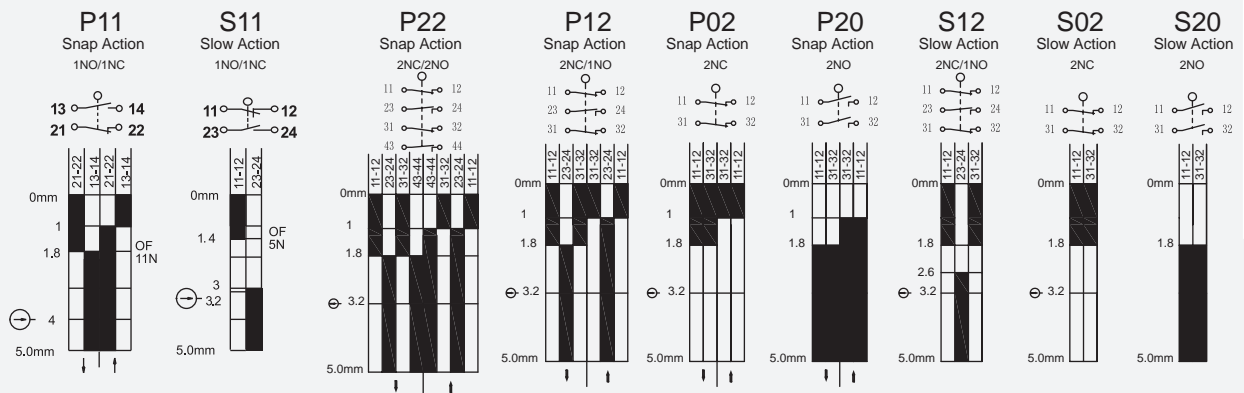
SM3	1	-	P	-	11	-	12	-	H	-	A	-	2
Housing							Head Style						
20mm mounting	1		P Snap Action		11 1NO/1NC		Blank Standard head		A Side exit cable				2 2 meters cable
25mm mounting	2		S Slow Action		12 1NO/2NC		H Horizontal head						
					20 2NO								
					21 2NO/1NC								
					22 2NO/2NC								
					02 2NC								

Specification

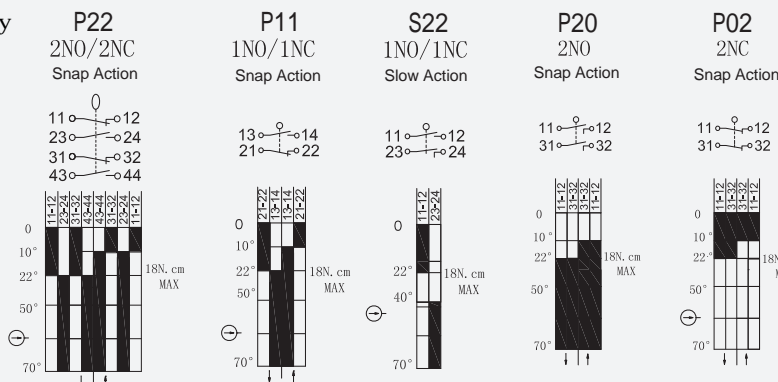
Operating Speed	0.05mm-2m/sec		
Operating Frequency	Mechanical: 120ops/min Electrical: 30 ops/min		
Insulation Resistance	>100MΩ@500V DC		
Contact Resistance	<25mΩ (initial value)		
Rated Voltage	300V AC (EN60947-5-1)		
Rated Thermal Current	5A		
Electrical Rating	AC15 B300 DC13 R300		
Dielectric Strength	1000VAC for 1 min between current carrying parts 2500VAC for 1 min between non-current carrying parts		
Service Life	Mechanically 1 x10 ⁷ (operations) Electrically 2 x10 ⁶ (operations)		
Operating Temperature	-25~+85°C without formation of ice		
Humidity	< 95%RH		
Cable	5 core, 0.75mm ²	7 core, 0.5mm ²	9 core, 0.34mm ²
Degree of Protection	IP67		



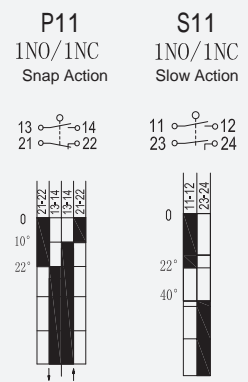
Plunger Style:



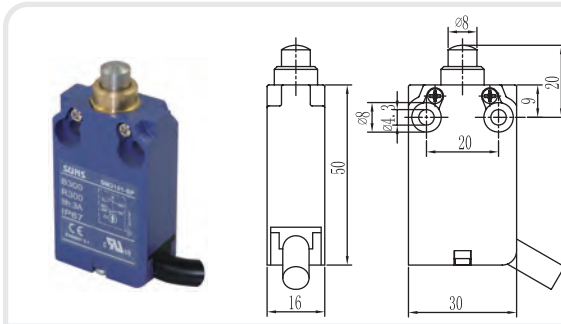
Rotary Style:



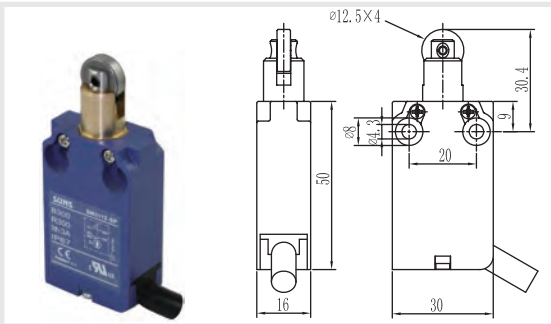
Spring Coil Style:



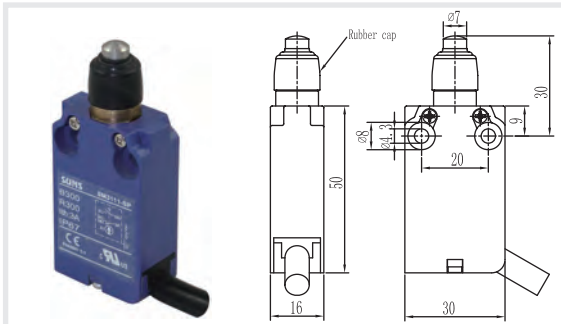
Compact Safety Limit Switches (Modular Design, IP67, 20mm) SM31 SERIES (20mm)



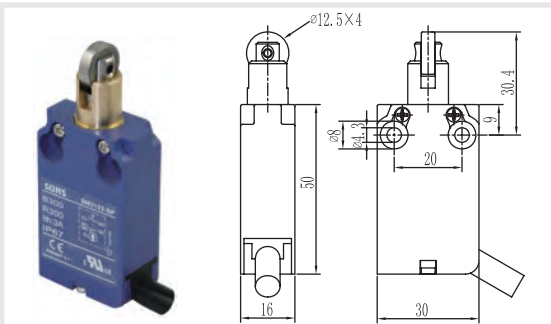
Order Code	Contact block	SP	SL	SN	NC	BBM
SM31P11-01	SP	+		+		
SM31S11-01	SL		+			



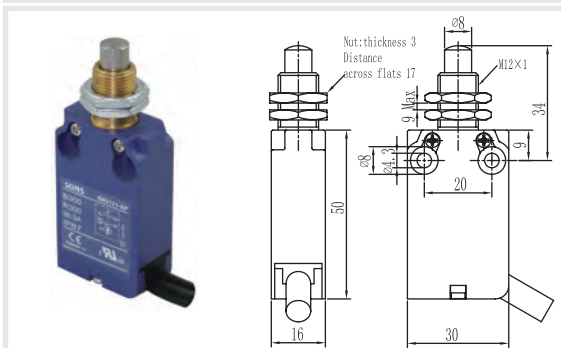
Order Code	Contact block	SP	SL	SN	NC	BBM
SM31P11-12	SP	+		+		
SM31S11-12	SL		+			



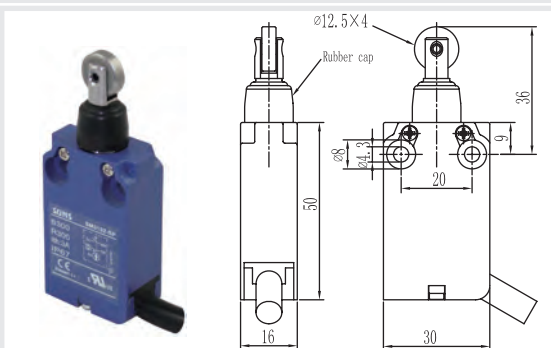
Order Code	Contact block	SP	SL	SN	NC	BBM
SM31P11-11	SP	+		+		
SM31S11-11	SL		+			



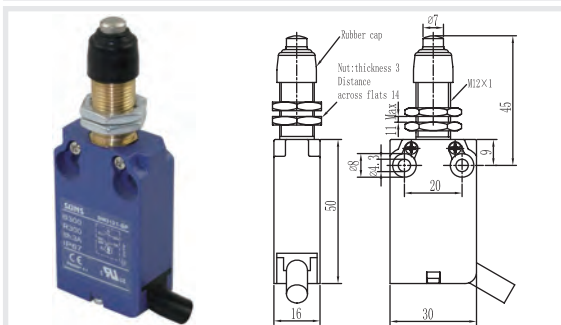
Order Code	Contact block	SP	SL	SN	NC	BBM
SM31P11-22	SP	+		+		
SM31S11-22	SL		+			



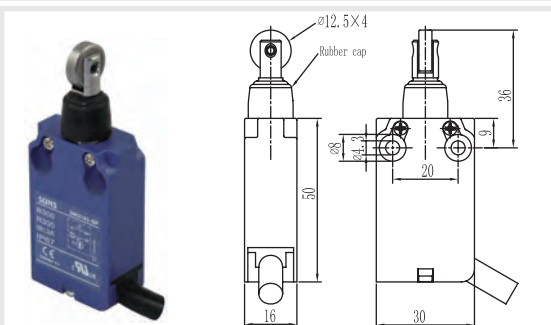
Order Code	Contact block	SP	SL	SN	NC	BBM
SM31P11-21	SP	+		+		
SM31S11-21	SL		+			



Order Code	Contact block	SP	SL	SN	NC	BBM
SM31P11-02	SP	+		+		
SM31S11-02	SL		+			



Order Code	Contact block	SP	SL	SN	NC	BBM
SM31P11-31	SP	+		+		
SM31S11-31	SL		+			

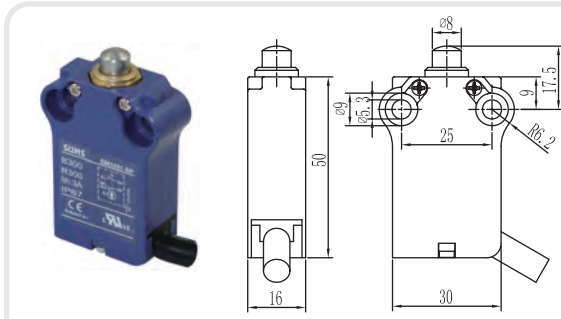


Order Code	Contact block	SP	SL	SN	NC	BBM
SM31P11-03	SP	+		+		
SM31S11-03	SL		+			

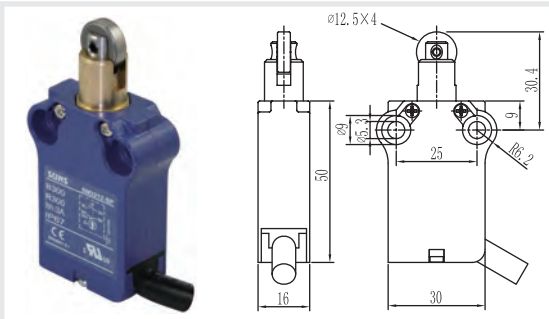
Compact Safety Limit Switches (Modular Design, IP67, 20mm) SM31 SERIES (20mm)

<p>Order Code</p> <p>SM31P11-32 SP snap action 1NO+1NC</p> <p>SM31S11-32 SL slow action 1NO+1NC BBM</p>	<p>Order Code</p> <p>SM31P11-42 SP snap action 1NO+1NC</p> <p>SM31S11-42 SL slow action 1NO+1NC BBM</p>
<p>Order Code</p> <p>SM31P11-04 SP snap action 1NO+1NC</p> <p>SM31S11-04 SL slow action 1NO+1NC BBM</p>	<p>Order Code</p> <p>SM31P11-04S SP snap action 1NO+1NC</p> <p>SM31S11-04S SL slow action 1NO+1NC BBM</p>
<p>Order Code</p> <p>SM31P11-07 SP snap action 1NO+1NC</p> <p>SM31S11-07 SL slow action 1NO+1NC BBM</p>	<p>Order Code</p> <p>SM31P11-08 SP snap action 1NO+1NC</p> <p>SM31S11-08 SL slow action 1NO+1NC BBM</p>
<p>Order Code</p> <p>SM31P11-69 SP snap action 1NO+1NC</p> <p>SM31S11-69 SL slow action 1NO+1NC BBM</p>	<p>Order Code</p> <p>SM31P11-66 SP snap action 1NO+1NC</p> <p>SM31S11-66 SL slow action 1NO+1NC BBM</p>

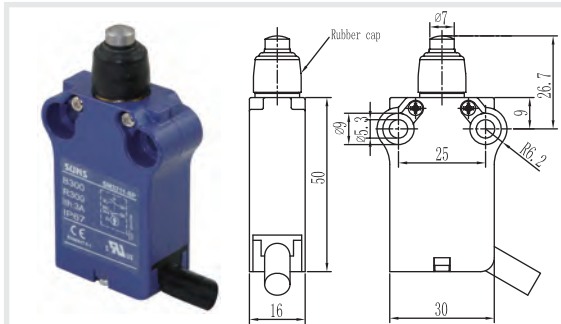
Compact Safety Limit Switches (Modular Design, IP67, 25mm) SM32 SERIES (25mm)



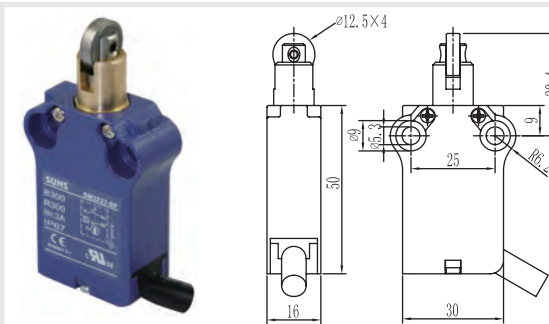
Order Code	Contact block			
SM32P11-01	SP	↻	snap action	1NO+1NC
SM32S11-01	SL	↻	slow action	1NO+1NC BBM



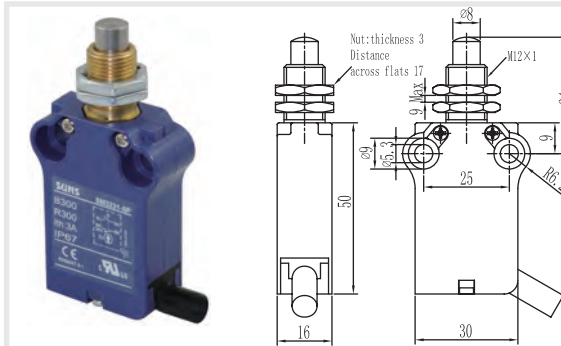
Order Code	Contact block			
SM32P11-12	SP	↻	snap action	1NO+1NC
SM32S11-12	SL	↻	slow action	1NO+1NC BBM



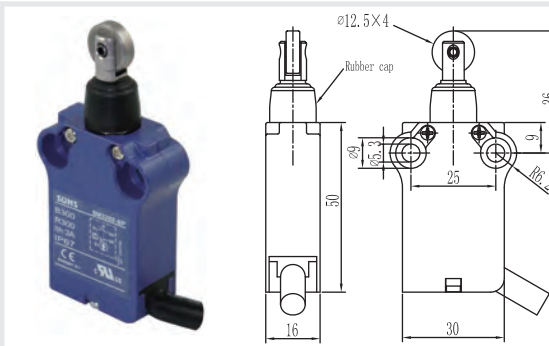
Order Code	Contact block			
SM32P11-11	SP	↻	snap action	1NO+1NC
SM32S11-11	SL	↻	slow action	1NO+1NC BBM



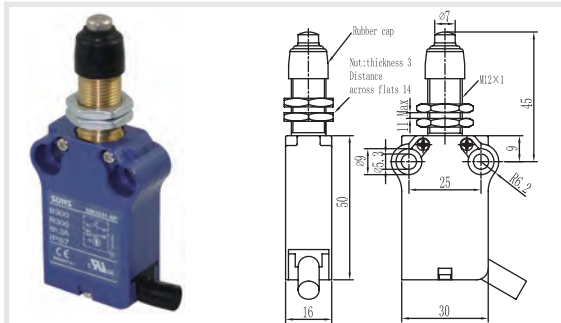
Order Code	Contact block			
SM32P11-22	SP	↻	snap action	1NO+1NC
SM32S11-22	SL	↻	slow action	1NO+1NC BBM



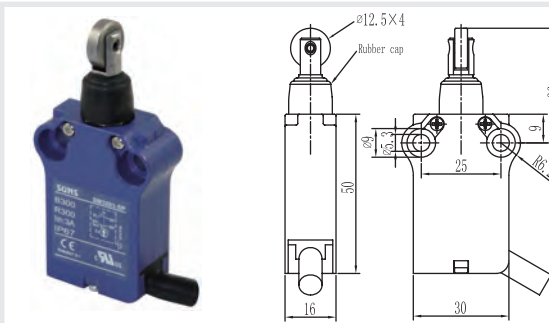
Order Code	Contact block			
SM32P11-21	SP	↻	snap action	1NO+1NC
SM32S11-21	SL	↻	slow action	1NO+1NC BBM



Order Code	Contact block			
SM32P11-02	SP	↻	snap action	1NO+1NC
SM32S11-02	SL	↻	slow action	1NO+1NC BBM

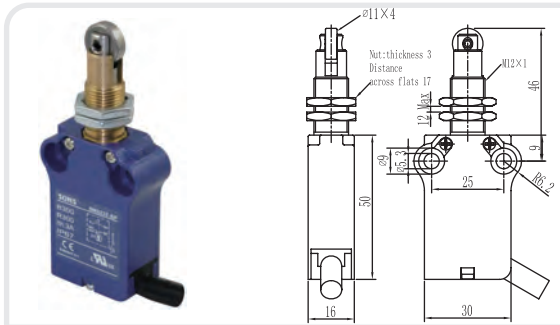


Order Code	Contact block			
SM32P11-31	SP	↻	snap action	1NO+1NC
SM32S11-31	SL	↻	slow action	1NO+1NC BBM

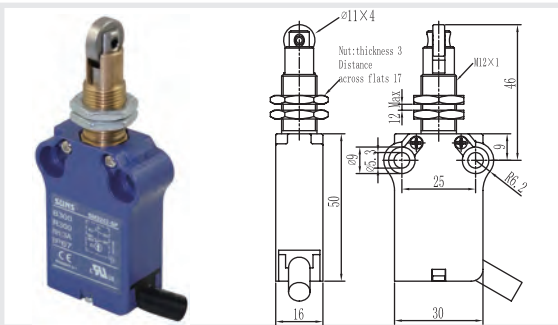


Order Code	Contact block			
SM32P11-03	SP	↻	snap action	1NO+1NC
SM32S11-03	SL	↻	slow action	1NO+1NC BBM

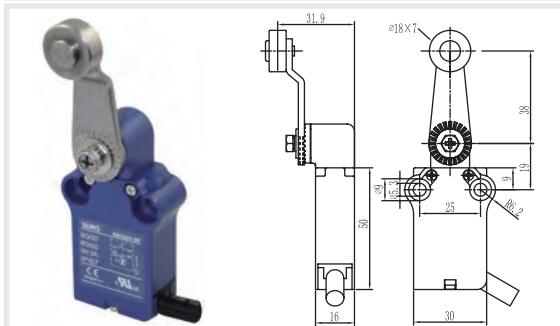
Compact Safety Limit Switches (Modular Design, IP67, 25mm) SM32 SERIES (25mm)



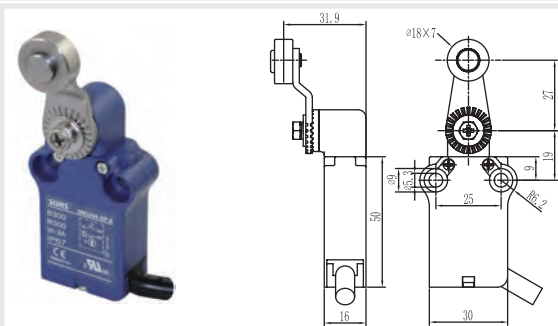
Order Code	Contact block	SP	SL	Action	Configuration
SM32P11-32	SP	⊕		snap action	1NO+1NC
SM32S11-32	SL		⊕	slow action	1NO+1NC BBM



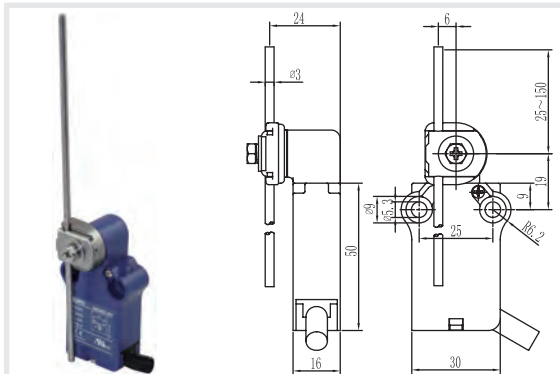
Order Code	Contact block	SP	SL	Action	Configuration
SM32P11-42	SP	⊕		snap action	1NO+1NC
SM32S11-42	SL		⊕	slow action	1NO+1NC BBM



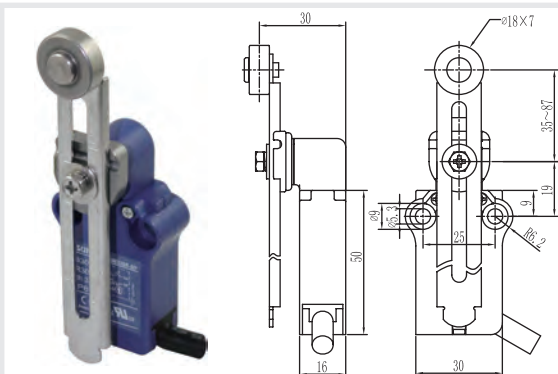
Order Code	Contact block	SP	SL	Action	Configuration
SM32P11-04	SP	⊕		snap action	1NO+1NC
SM32S11-04	SL		⊕	slow action	1NO+1NC BBM



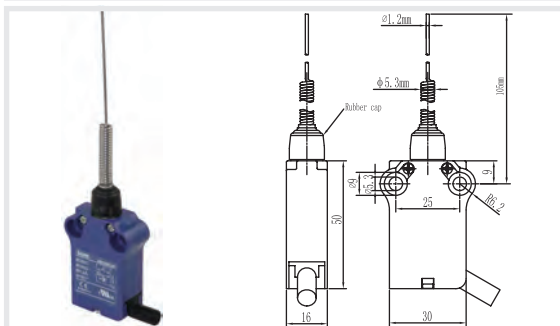
Order Code	Contact block	SP	SL	Action	Configuration
SM32P11-04S	SP	⊕		snap action	1NO+1NC
SM32S11-04S	SL		⊕	slow action	1NO+1NC BBM



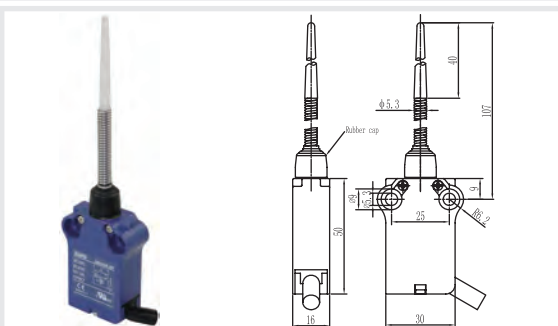
Order Code	Contact block	SP	SL	Action	Configuration
SM32P11-07	SP	⊕		snap action	1NO+1NC
SM32S11-07	SL		⊕	slow action	1NO+1NC BBM



Order Code	Contact block	SP	SL	Action	Configuration
SM32P11-08	SP	⊕		snap action	1NO+1NC
SM32S11-08	SL		⊕	slow action	1NO+1NC BBM



Order Code	Contact block	SP	SL	Action	Configuration
SM32P11-69	SP			snap action	1NO+1NC
SM32S11-69	SL			slow action	1NO+1NC BBM



Order Code	Contact block	SP	SL	Action	Configuration
SM32P11-66	SP			snap action	1NO+1NC
SM32S11-66	SL			slow action	1NO+1NC BBM

Compact Safety Limit Switches (Modular Design, IP67, 25mm) SM32 SERIES (25mm)

<p>Order Code</p> <p>SM32P11-62 SP snap action 1NO+1NC</p> <p>SM32S11-62 SL slow action 1NO+1NC BBM</p>	<p>Order Code</p> <p>SM32P11-63 SP snap action 1NO+1NC</p> <p>SM32S11-63 SL slow action 1NO+1NC BBM</p>
<p>Order Code</p> <p>SM32P11-72 SP snap action 1NO+1NC</p> <p>SM32S11-72 SL slow action 1NO+1NC BBM</p>	<p>Order Code</p> <p>SM32P11-73 SP snap action 1NO+1NC</p> <p>SM32S11-73 SL slow action 1NO+1NC BBM</p>
<p>Order Code</p> <p>SM32P11-11 G SP snap action 1NO+1NC</p> <p>SM32S11-11 G SL slow action 1NO+1NC BBM</p>	

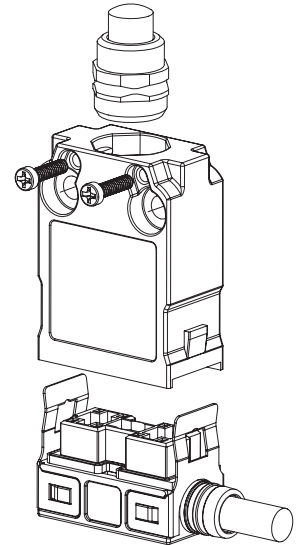
Compact Safety Limit Switches (Modular Design, Plastic Body, IP67) SM31N SERIES (20mm) and SM32N SERIES (25mm)

Selection Guide:

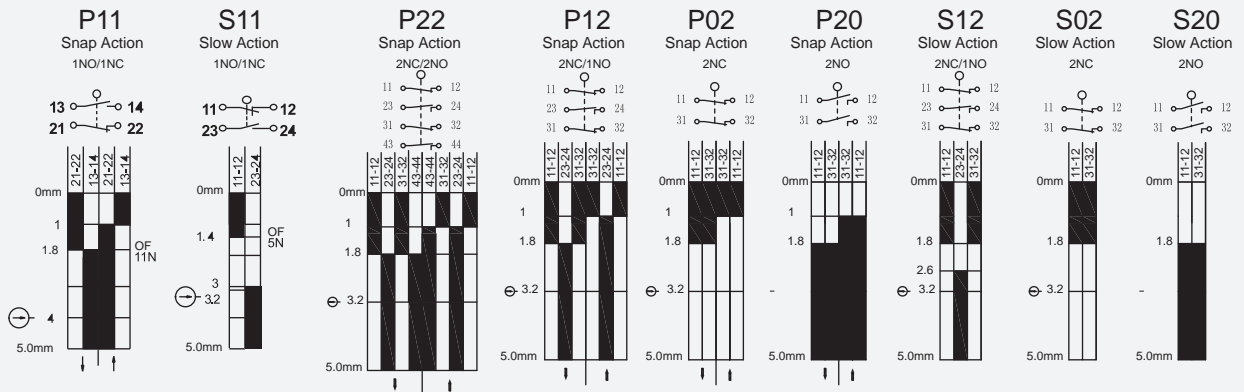
SM3	1	-	N	-	P	-	11	-	12	-	H	-	A	-	2
Housing															
20mm mounting	1				P Snap Action		11 1NO/1NC		Head Style		Blank		A side exit cable		2 2 meters cable
25mm mounting	2				S Slow Action		12 1NO/2NC				H Horizontal head		B bottom exit cable		
							20 2NO								
							21 2NO/1NC								
							22 2NO/2NC								
							02 2NC								

Specification

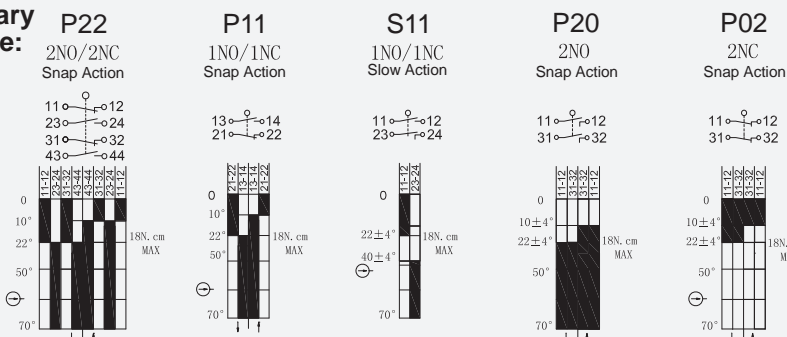
Operating Speed	0.05mm-2m/sec
Operating Frequency	Mechanical: 120ops/min Electrical: 30 ops/min
Insulation Resistance	>100MΩ@500V DC
Contact Resistance	<25mΩ (initial value)
Rated Voltage	300V AC (EN60947-5-1)
Rated Thermal Current	5A
Electrical Rating	AC15 B300 DC13 R300
Dielectric Strength	1000VAC for 1 min between current carrying parts 2500VAC for 1 min between non-current carrying parts
Service Life	Mechanically 1 x 10 ⁷ (operations) Electrically 2 x 10 ⁶ (operations)
Operating Temperature	-25~+85°C without formation of ice
Humidity	< 95%
Cable	4 core, 0.5mm ² ; 6 core, 0.5mm ² ; 8 core, 0.34mm ²
Degree of Protection	IP67



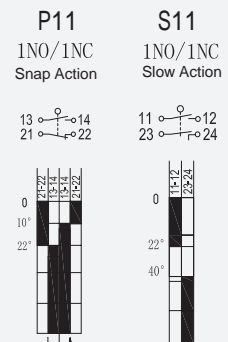
Plunger Style:



Rotary Style:



Spring Coil Style:

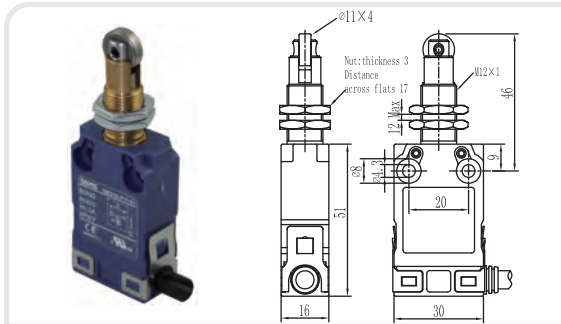


Compact Safety Limit Switches (Fiber Reinforced Plastic, IP67, 20mm) SM31N SERIES (20mm)

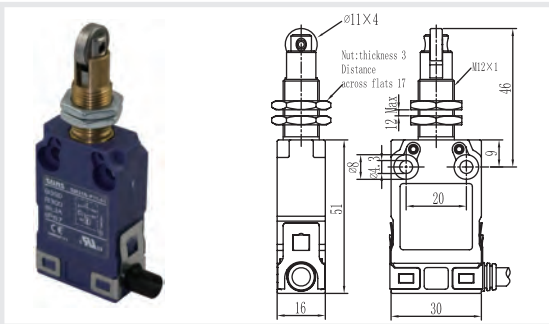
	<p>Order Code</p> <p>Contact block</p> <p>SM31NP11-01 SP \ominus snap action 1NO+1NC</p> <p>SM31NS11-01 SL \ominus slow action 1NO+1NC BBM</p>		<p>Order Code</p> <p>Contact block</p> <p>SM31NP11-12 SP \ominus snap action 1NO+1NC</p> <p>SM31NS11-12 SL \ominus slow action 1NO+1NC BBM</p>
	<p>Order Code</p> <p>Contact block</p> <p>SM31NP11-11 SP \ominus snap action 1NO+1NC</p> <p>SM31NS11-11 SL \ominus slow action 1NO+1NC BBM</p>		<p>Order Code</p> <p>Contact block</p> <p>SM31NP11-22 SP \ominus snap action 1NO+1NC</p> <p>SM31NS11-22 SL \ominus slow action 1NO+1NC BBM</p>
	<p>Order Code</p> <p>Contact block</p> <p>SM31NP11-21 SP \ominus snap action 1NO+1NC</p> <p>SM31NS11-21 SL \ominus slow action 1NO+1NC BBM</p>		<p>Order Code</p> <p>Contact block</p> <p>SM31NP11-02 SP \ominus snap action 1NO+1NC</p> <p>SM31NS11-02 SL \ominus slow action 1NO+1NC BBM</p>
	<p>Order Code</p> <p>Contact block</p> <p>SM31NP11-31 SP \ominus snap action 1NO+1NC</p> <p>SM31NS11-31 SL \ominus slow action 1NO+1NC BBM</p>		<p>Order Code</p> <p>Contact block</p> <p>SM31NP11-03 SP \ominus snap action 1NO+1NC</p> <p>SM31NS11-03 SL \ominus slow action 1NO+1NC BBM</p>

* suffix: -A for side exit, -B for Bottom exit and one-digit number for length of the wire (meter). Eg :-A2

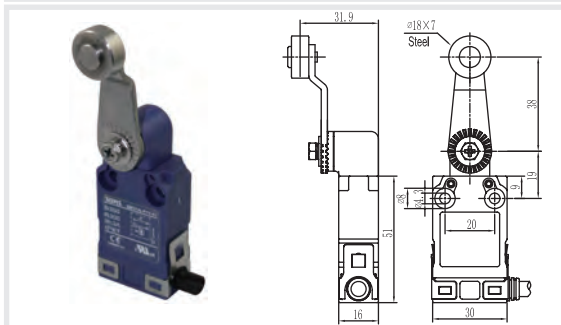
Compact Safety Limit Switches (Fiber Reinforced Plastic, IP67, 20mm) SM31N SERIES (20mm)



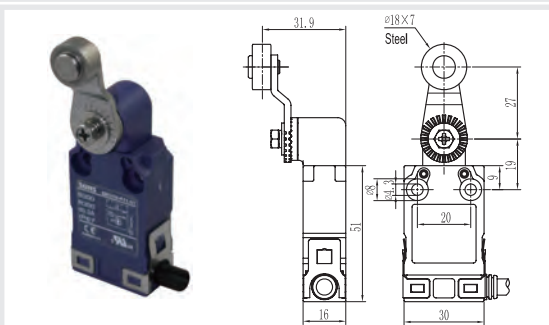
Order Code	Contact block			
SM31NP11-32	SP	↻	snap action	1NO+1NC
SM31NS11-32	SL	↻	slow action	1NO+1NC BBM



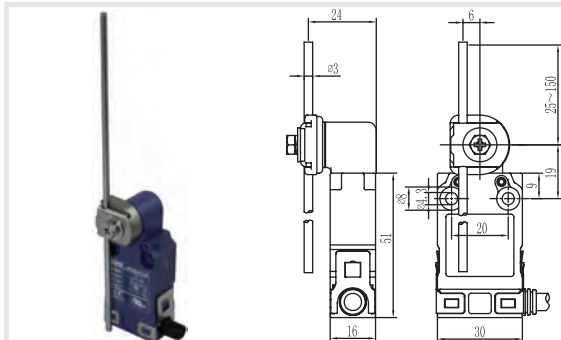
Order Code	Contact block			
SM31NP11-42	SP	↻	snap action	1NO+1NC
SM31NS11-42	SL	↻	slow action	1NO+1NC BBM



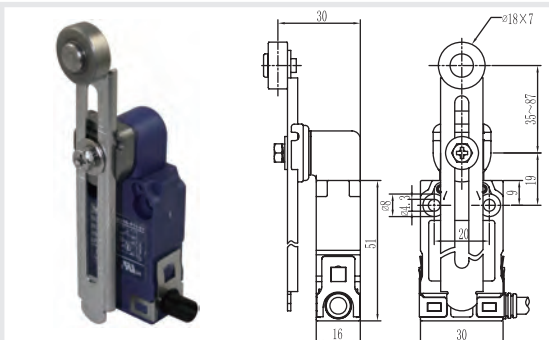
Order Code	Contact block			
SM31NP11-04	SP	↻	snap action	1NO+1NC
SM31NS11-04	SL	↻	slow action	1NO+1NC BBM



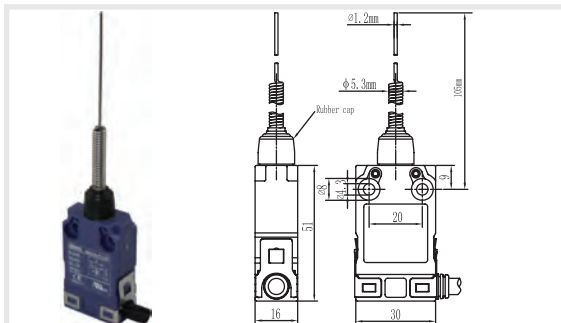
Order Code	Contact block			
SM31NP11-04-S	SP	↻	snap action	1NO+1NC
SM31NS11-04-S	SL	↻	slow action	1NO+1NC BBM



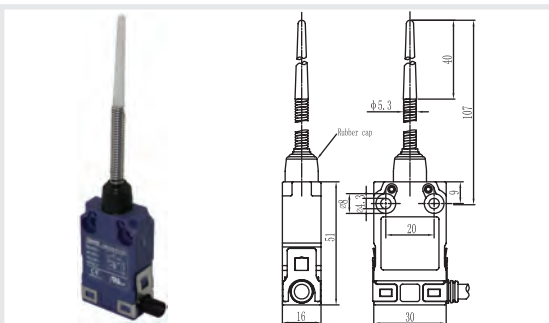
Order Code	Contact block			
SM31NP11-07	SP	↻	snap action	1NO+1NC
SM31NS11-07	SL	↻	slow action	1NO+1NC BBM



Order Code	Contact block			
SM31NP11-08	SP	↻	snap action	1NO+1NC
SM31NS11-08	SL	↻	slow action	1NO+1NC BBM



Order Code	Contact block			
SM31NP11-69	SP		snap action	1NO+1NC
SM31NS11-69	SL		slow action	1NO+1NC BBM



Order Code	Contact block			
SM31NP11-66	SP		snap action	1NO+1NC
SM31NS11-66	SL		slow action	1NO+1NC BBM

* suffix:-A for side exit,-B for Bottom exit and one-digit number for length of the wire (meter). Eg :-A2

Compact Safety Limit Switches (Fiber Reinforced Plastic, IP67, 20mm) SM31N SERIES (20mm)

<p>Order Code</p> <p>SM31NP11-62 SP Contact block \rightarrow snap action 1NO+1NC</p> <p>SM31NS11-62 SL \rightarrow slow action 1NO+1NC BBM</p>	<p>Order Code</p> <p>SM31NP11-63 SP \rightarrow snap action 1NO+1NC</p> <p>SM31NS11-63 SL \rightarrow slow action 1NO+1NC BBM</p>
<p>Order Code</p> <p>SM31NP11-72 SP \rightarrow snap action 1NO+1NC</p> <p>SM31NS11-72 SL \rightarrow slow action 1NO+1NC BBM</p>	<p>Order Code</p> <p>SM31NP11-73 SP \rightarrow snap action 1NO+1NC</p> <p>SM31NS11-73 SL \rightarrow slow action 1NO+1NC BBM</p>
<p>Order Code</p> <p>SM31NP11-11 G SP \rightarrow snap action 1NO+1NC</p> <p>SM31NS11-11 G SL \rightarrow slow action 1NO+1NC BBM</p>	

* suffix:-A for side exit,-B for Bottom exit and one-digit number for length of the wire (meter).Eg :-A2

Compact Safety Limit Switches (Fiber Reinforced Plastic, IP67, 25mm) SM32N SERIES (25mm)

<p>Order Code Contact block</p> <p>SM32NP11-32 SP snap action 1NO+1NC</p> <p>SM32NS11-32 SL slow action 1NO+1NC BBM</p>	<p>Order Code Contact block</p> <p>SM32NP11-42 SP snap action 1NO+1NC</p> <p>SM32NS11-42 SL slow action 1NO+1NC BBM</p>
<p>Order Code Contact block</p> <p>SM32NP11-04 SP snap action 1NO+1NC</p> <p>SM32NS11-04 SL slow action 1NO+1NC BBM</p>	<p>Order Code Contact block</p> <p>SM32NP11-04S SP snap action 1NO+1NC</p> <p>SM32NS11-04S SL slow action 1NO+1NC BBM</p>
<p>Order Code Contact block</p> <p>SM32NP11-07 SP snap action 1NO+1NC</p> <p>SM32NS11-07 SL slow action 1NO+1NC BBM</p>	<p>Order Code Contact block</p> <p>SM32NP11-08 SP snap action 1NO+1NC</p> <p>SM32NS11-08 SL slow action 1NO+1NC BBM</p>
<p>Order Code</p> <p>SM32NP11-69 SP snap action 1NO+1NC</p> <p>SM32NS11-69 SL slow action 1NO+1NC BBM</p>	<p>Order Code</p> <p>SM32NP11-66 SP snap action 1NO+1NC</p> <p>SM32NS11-66 SL slow action 1NO+1NC BBM</p>

* suffix:-A for side exit,-B for Bottom exit and one-digit number for length of the wire (meter). Eg :-B2

Compact Safety Limit Switches (Fiber Reinforced Plastic, IP67, 25mm) SM32N SERIES (25mm)

<p>Order Code</p> <p>SM32NP11-62 SP</p> <p>SM32NS11-62 SL</p>	<p>Order Code</p> <p>SM32NP11-63 SP</p> <p>SM32NS11-63 SL</p>
<p>Contact block</p> <p>→ snap action</p> <p>→ slow action</p>	<p>Contact block</p> <p>→ snap action</p> <p>→ slow action</p>
<p>1NO+1NC</p> <p>1NO+1NC BBM</p>	<p>1NO+1NC</p> <p>1NO+1NC BBM</p>
<p>Order Code</p> <p>SM32NP11-72 SP</p> <p>SM32NS11-72 SL</p>	<p>Order Code</p> <p>SM32NP11-73 SP</p> <p>SM32NS11-73 SL</p>
<p>Contact block</p> <p>→ snap action</p> <p>→ slow action</p>	<p>Contact block</p> <p>→ snap action</p> <p>→ slow action</p>
<p>1NO+1NC</p> <p>1NO+1NC BBM</p>	<p>1NO+1NC</p> <p>1NO+1NC BBM</p>
<p>Order Code</p> <p>SM32NP11-11 G SP</p> <p>SM32NS11-11 G SL</p>	
<p>Contact block</p> <p>→ snap action</p> <p>→ slow action</p>	
<p>1NO+1NC</p> <p>1NO+1NC BBM</p>	

* suffix:-A for side exit,-B for Bottom exit and one-digit number for length of the wire (meter).Eg :-B2

COMPACT LIMIT SWITCHES: AZ-8 SERIES

Features

- Designed for applications of small mounting space
- Constructed with Metal based and plastic cover
- Wide range of actuators available
- Pre-molded flexible cable gland for fast and simple wiring termination
- Positive Opening of NC contacts (for rotary style only)
- Improved current carrying capacity to 10A
- M12 cable gland available

Definitions of Operating Characteristics

OF	Operating Force	PT	Pretravel
RF	Releasing Force	MD	Movement Differential
OT	Overtravel	OP	Operating Position
TT	Total Travel	PO	Travel to Positive Opening


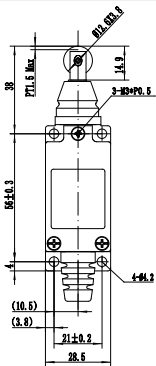
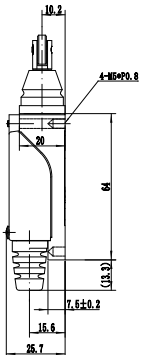

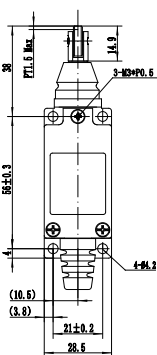
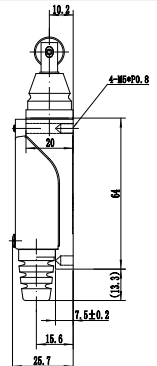
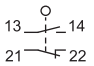
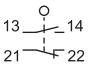

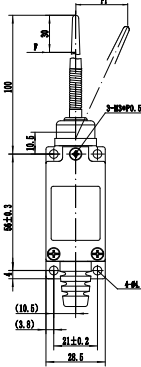
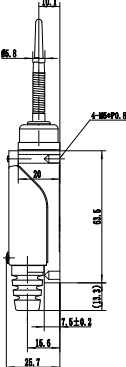

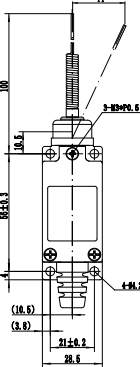
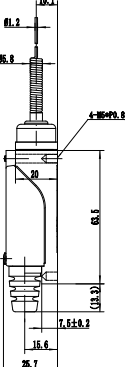
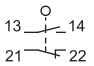
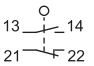

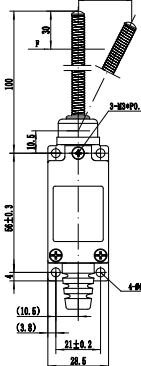
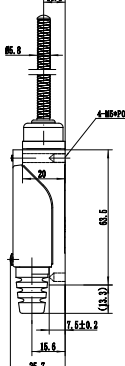

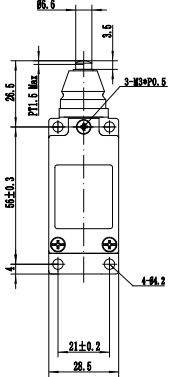
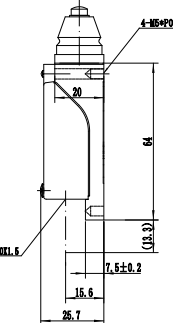
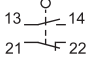
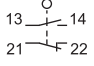
Specifications

Operating Speed	0.05mm-2m/sec
Operating Frequency	Mechanical: 120ops/min Electrical: 30 ops/min
Insulation Resistance	>100MΩ@500V DC
Contact Resistance	<25mΩ (initial value)
Rated Thermal Current	10A/250VAC (EN60947-5-1)
Dielectric Strength	1000VAC for 1 min between current carrying parts 2000VAC for 1 min between non-current carrying parts
Service Life	Mechanically 1 x 10 ⁷ (operations) Electrically 5 x 10 ⁵ (operations)
Operating Temperature	-20 to +70°C (-4 to 158°F)
Humidity	< 95%
Degree of Protection	IP65

Dimensions Unit: mm

<p>AZ-8104 Snap Action</p> <p>Operating Characteristics</p> <table border="0"> <tr> <td>OF_{max}</td> <td>18N cm</td> <td>MD</td> <td>12°</td> </tr> <tr> <td>RF_{min}</td> <td>3N cm</td> <td>TT</td> <td>95°</td> </tr> <tr> <td>PT_{max}</td> <td>20°</td> <td>PO</td> <td>25°</td> </tr> <tr> <td>OT_{min}</td> <td>75°</td> <td></td> <td></td> </tr> </table>	OF _{max}	18N cm	MD	12°	RF _{min}	3N cm	TT	95°	PT _{max}	20°	PO	25°	OT _{min}	75°			<p>AZ-8108 Snap Action</p> <p>Operating Characteristics</p> <table border="0"> <tr> <td>OF_{max}</td> <td>18N cm</td> <td>MD</td> <td>12°</td> </tr> <tr> <td>RF_{min}</td> <td>3N cm</td> <td>TT</td> <td>95°</td> </tr> <tr> <td>PT_{max}</td> <td>20°</td> <td>PO</td> <td>25°</td> </tr> <tr> <td>OT_{min}</td> <td>75°</td> <td></td> <td></td> </tr> </table>	OF _{max}	18N cm	MD	12°	RF _{min}	3N cm	TT	95°	PT _{max}	20°	PO	25°	OT _{min}	75°		
OF _{max}	18N cm	MD	12°																														
RF _{min}	3N cm	TT	95°																														
PT _{max}	20°	PO	25°																														
OT _{min}	75°																																
OF _{max}	18N cm	MD	12°																														
RF _{min}	3N cm	TT	95°																														
PT _{max}	20°	PO	25°																														
OT _{min}	75°																																
<p>AZ-8107 Snap Action</p> <p>Operating Characteristics</p> <table border="0"> <tr> <td>OF_{max}</td> <td>18N cm</td> <td>MD</td> <td>12°</td> </tr> <tr> <td>RF_{min}</td> <td>3N cm</td> <td>TT</td> <td>95°</td> </tr> <tr> <td>PT_{max}</td> <td>20°</td> <td>PO</td> <td>25°</td> </tr> <tr> <td>OT_{min}</td> <td>75°</td> <td></td> <td></td> </tr> </table>	OF _{max}	18N cm	MD	12°	RF _{min}	3N cm	TT	95°	PT _{max}	20°	PO	25°	OT _{min}	75°			<p>AZ-8111 Snap Action</p> <p>Operating Characteristics</p> <table border="0"> <tr> <td>OF_{max}</td> <td>9N</td> <td>MD_{max}</td> <td>1.2mm</td> </tr> <tr> <td>RF_{min}</td> <td>1.5N</td> <td>TT</td> <td>5.5mm</td> </tr> <tr> <td>PT_{max}</td> <td>1.5mm</td> <td>OP</td> <td>25mm</td> </tr> <tr> <td>OT_{min}</td> <td>4mm</td> <td></td> <td></td> </tr> </table>	OF _{max}	9N	MD _{max}	1.2mm	RF _{min}	1.5N	TT	5.5mm	PT _{max}	1.5mm	OP	25mm	OT _{min}	4mm		
OF _{max}	18N cm	MD	12°																														
RF _{min}	3N cm	TT	95°																														
PT _{max}	20°	PO	25°																														
OT _{min}	75°																																
OF _{max}	9N	MD _{max}	1.2mm																														
RF _{min}	1.5N	TT	5.5mm																														
PT _{max}	1.5mm	OP	25mm																														
OT _{min}	4mm																																

COMPACT LIMIT SWITCHES: AZ-8 SERIES

  	  																																
<p>AZ-8112 Snap Action</p>  <p>Operating Characteristics</p> <table border="1"> <tr> <td>OF_{max}</td> <td>9N</td> <td>MD_{max}</td> <td>1.2mm</td> </tr> <tr> <td>RF_{min}</td> <td>1.5N</td> <td>TT</td> <td>5.5mm</td> </tr> <tr> <td>PT_{max}</td> <td>1.5mm</td> <td>OP</td> <td>36.5mm</td> </tr> <tr> <td>OT_{min}</td> <td>4mm</td> <td></td> <td></td> </tr> </table>	OF _{max}	9N	MD _{max}	1.2mm	RF _{min}	1.5N	TT	5.5mm	PT _{max}	1.5mm	OP	36.5mm	OT _{min}	4mm			<p>AZ-8122 Snap Action</p>  <p>Operating Characteristics</p> <table border="1"> <tr> <td>OF_{max}</td> <td>9N</td> <td>MD_{max}</td> <td>1.2mm</td> </tr> <tr> <td>RF_{min}</td> <td>1.5N</td> <td>TT</td> <td>5.5mm</td> </tr> <tr> <td>PT_{max}</td> <td>1.5mm</td> <td>OP</td> <td>36.5mm</td> </tr> <tr> <td>OT_{min}</td> <td>4mm</td> <td></td> <td></td> </tr> </table>	OF _{max}	9N	MD _{max}	1.2mm	RF _{min}	1.5N	TT	5.5mm	PT _{max}	1.5mm	OP	36.5mm	OT _{min}	4mm		
OF _{max}	9N	MD _{max}	1.2mm																														
RF _{min}	1.5N	TT	5.5mm																														
PT _{max}	1.5mm	OP	36.5mm																														
OT _{min}	4mm																																
OF _{max}	9N	MD _{max}	1.2mm																														
RF _{min}	1.5N	TT	5.5mm																														
PT _{max}	1.5mm	OP	36.5mm																														
OT _{min}	4mm																																
  	  																																
<p>AZ-8166 Snap Action</p>  <p>Operating Characteristics</p> <table border="1"> <tr> <td>OF_{max}</td> <td>2N</td> <td></td> <td></td> </tr> <tr> <td>PT_{max}</td> <td>20°</td> <td></td> <td></td> </tr> <tr> <td>OT_{min}</td> <td>2°</td> <td></td> <td></td> </tr> </table>	OF _{max}	2N			PT _{max}	20°			OT _{min}	2°			<p>AZ-8169 Snap Action</p>  <p>Operating Characteristics</p> <table border="1"> <tr> <td>OF_{max}</td> <td>2N</td> <td></td> <td></td> </tr> <tr> <td>PT_{max}</td> <td>20°</td> <td></td> <td></td> </tr> <tr> <td>OT_{min}</td> <td>2°</td> <td></td> <td></td> </tr> </table>	OF _{max}	2N			PT _{max}	20°			OT _{min}	2°										
OF _{max}	2N																																
PT _{max}	20°																																
OT _{min}	2°																																
OF _{max}	2N																																
PT _{max}	20°																																
OT _{min}	2°																																
  	  																																
<p>AZ-8200 Snap Action</p>  <p>Operating Characteristics</p> <table border="1"> <tr> <td>OF_{max}</td> <td>2N</td> <td></td> <td></td> </tr> <tr> <td>PT_{max}</td> <td>20°</td> <td></td> <td></td> </tr> <tr> <td>OT_{min}</td> <td>2°</td> <td></td> <td></td> </tr> </table>	OF _{max}	2N			PT _{max}	20°			OT _{min}	2°			<p>AZ-8111 (M12) Snap Action</p>  <p>Operating Characteristics</p> <table border="1"> <tr> <td>OF_{max}</td> <td>9N</td> <td>MD_{max}</td> <td>1.2mm</td> </tr> <tr> <td>RF_{min}</td> <td>1.5N</td> <td>TT</td> <td>5.5mm</td> </tr> <tr> <td>PT_{max}</td> <td>1.5mm</td> <td>OP</td> <td>25mm</td> </tr> <tr> <td>OT_{min}</td> <td>4mm</td> <td></td> <td></td> </tr> </table>	OF _{max}	9N	MD _{max}	1.2mm	RF _{min}	1.5N	TT	5.5mm	PT _{max}	1.5mm	OP	25mm	OT _{min}	4mm						
OF _{max}	2N																																
PT _{max}	20°																																
OT _{min}	2°																																
OF _{max}	9N	MD _{max}	1.2mm																														
RF _{min}	1.5N	TT	5.5mm																														
PT _{max}	1.5mm	OP	25mm																														
OT _{min}	4mm																																

METAL BODIED SAFETY LIMIT SWITCHES SN62 SERIES

SUNS products help to make factories run more efficiently, product manufacturing smarter, and automation environments more productive.



Features

- Aluminum die cast body
- Earth grounding surface on same level as switching
- Easily interchangeable contact block
- Galvanically separated contacts
- Screw terminals with self-lifting clamps for easy wiring
- Positive Opening of NC contacts
- 4 x 90° actuator positions
- Cable entry available: M20, PG13.5 and 1/2"NPT

Definitions of Operating Characteristics

- OF Operating Force
- RF Releasing Force
- OT Overtravel
- TT Total Travel
- PT Pretravel
- MD Movement Differential
- OP Operating Position
- PO Travel to Positive Opening



Specifications

Operating Speed	0.05mm-2m/sec
Operating Frequency	Mechanical: 120ops/min Electrical: 30 ops/min
Insulation Resistance	>100MΩ@500V DC
Contact Resistance	<25mΩ (initial value)
Rated Thermal Current	10A/600V AC (EN60947-5-1) UL/cUL Listed (E216958) AC15 A600 / DC13 Q300
Dielectric Strength	1000VAC for 1 min between current carrying parts 2500VAC for 1 min between non-current carrying parts
Service Life	Mechanically 1.0 x 10 ⁷ (operations) Electrically 5 x 10 ⁵ (operations)
Operating Temperature	-25~+80°C (-13~176°F) with no icing
Humidity	< 95%RH
Weight	220-300g
Degree of Protection	IP67

Selection Guide:

SN62

Body Styles

04

Head Styles

SP

- SP: 1NO/1NC Snap action
- SPT: 2NO/2NC Snap action
- SL: BBM 1NO/1NC Slow Action changeover
- SL1: MBB 1NO/1NC Slow Action Overlapping
- SL2: 2NC Slow Action
- SL3: 2NO Slow Action
- SL4: 3NC Slow Action
- SL5: 3NO Slow Action
- SL6: BBM 2NC/1NO Slow Action changeover
- SL7: MBB 2NC/1NO Slow Action Overlapping
- SL8: BBM 2NO/1NC Slow Action changeover
- SL9: MBB 2NO/1NC Slow Action Overlapping

C

Conduits

- A: 1/2"NPT
- B: PG13.5
- C: M20

R

- Blank
- R: with Reset

(AB)

Aluminum alloy swing arm

METAL BODIED SAFETY LIMIT SWITCHES SN62 SERIES

Available contact blocks and travel diagrams



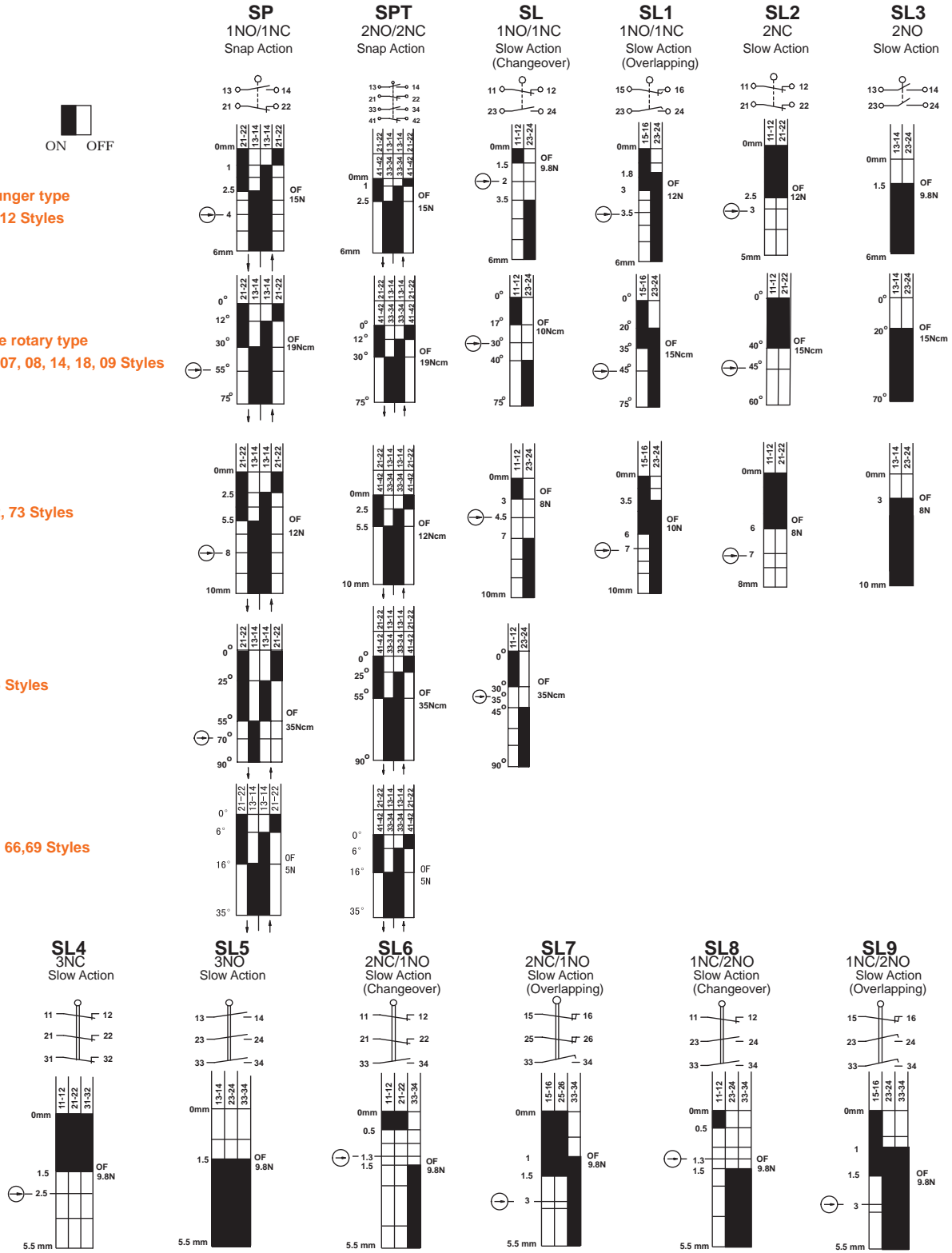
Plunger type
11,12 Styles

Side rotary type
04, 07, 08, 14, 18, 09 Styles

72, 73 Styles

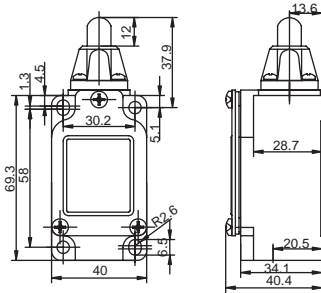
05 Styles

00, 66,69 Styles



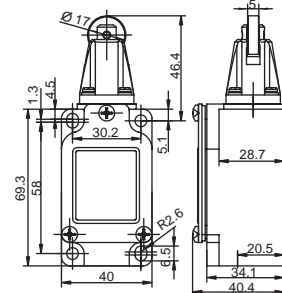
METAL BODIED SAFETY LIMIT SWITCHES SN62 SERIES

SN6211



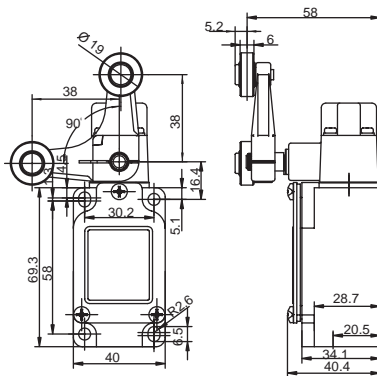
Order Code	Contact block			
SN6211-SP- _	SP		snap action	1NO+1NC
SN6211-SL- _	SL		slow action	1NO+1NC BBM
SN6211-SL1- _	SL1		slow action	1NO+1NC MBB
SN6211-SL2- _	SL2		slow action	2NC

SN6212



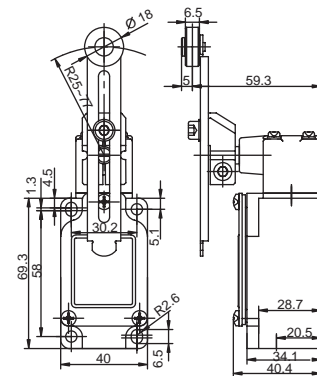
Order Code	Contact block			
SN6212-SP- _	SP		snap action	1NO+1NC
SN6212-SL- _	SL		slow action	1NO+1NC BBM
SN6212-SL1- _	SL1		slow action	1NO+1NC MBB
SN6212-SL2- _	SL2		slow action	2NC

SN6205



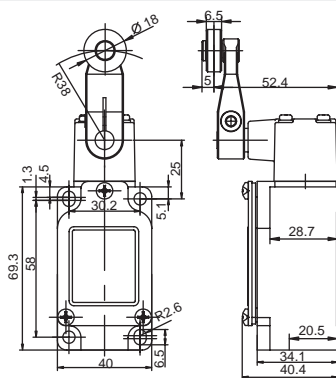
Order Code	Contact block			
SN6205-SP- _	SP		snap action	1NO+1NC
SN6205-SL- _	SL		slow action	1NO+1NC BBM

SN6208



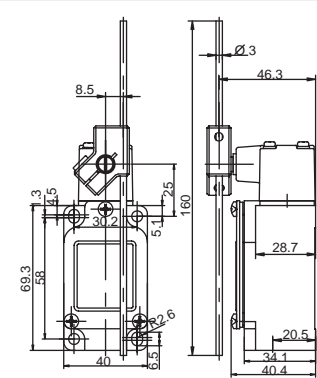
Order Code	Contact block			
SN6208-SP- _	SP		snap action	1NO+1NC
SN6208-SL- _	SL		slow action	1NO+1NC BBM
SN6208-SL1- _	SL1		slow action	1NO+1NC MBB
SN6208-SL2- _	SL2		slow action	2NC

SN6204



Order Code	Contact block			
SN6204-SP- _	SP		snap action	1NO+1NC
SN6204-SL- _	SL		slow action	1NO+1NC BBM
SN6204-SL1- _	SL1		slow action	1NO+1NC MBB
SN6204-SL2- _	SL2		slow action	2NC

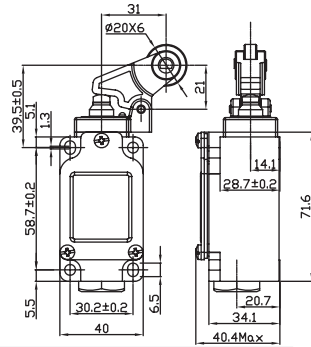
SN6207



Order Code	Contact block			
SN6207-SP- _	SP		snap action	1NO+1NC
SN6207-SL- _	SL		slow action	1NO+1NC BBM
SN6207-SL1- _	SL1		slow action	1NO+1NC MBB
SN6207-SL2- _	SL2		slow action	2NC

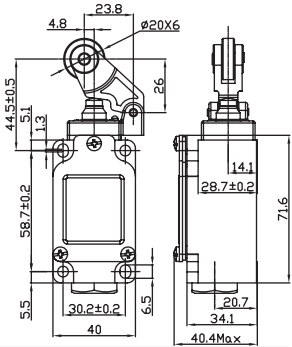
METAL BODIED SAFETY LIMIT SWITCHES SN62 SERIES

SN6272



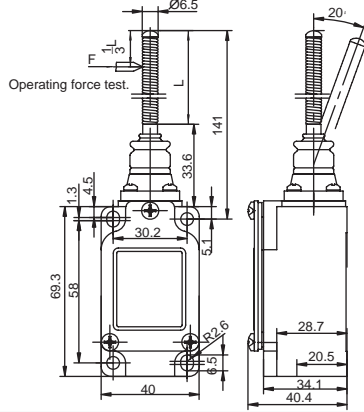
Order Code	Contact block			
SN6272-SP- _	SP	⊕	snap action	1NO+1NC
SN6272-SL- _	SL	⊕	slow action	1NO+1NC BBM
SN6272-SL1- _	SL1	⊕	slow action	1NO+1NC MBB
SN6272-SL2- _	SL2	⊕	slow action	2NC

SN6273



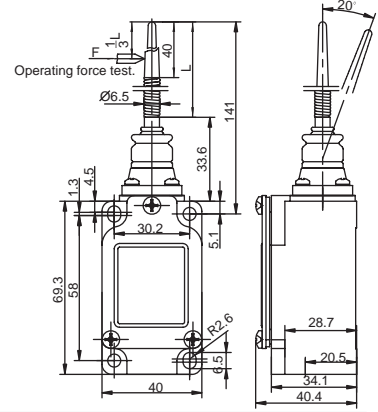
Order Code	Contact block			
SN6273-SP- _	SP	⊕	snap action	1NO+1NC
SN6273-SL- _	SL	⊕	slow action	1NO+1NC BBM
SN6273-SL1- _	SL1	⊕	slow action	1NO+1NC MBB
SN6273-SL2- _	SL2	⊕	slow action	2NC

SN6200



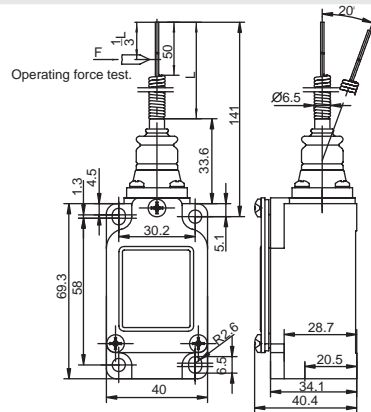
Order Code	Contact block			
SN6200-SP- _	SP		snap action	1NO+1NC

SN6266



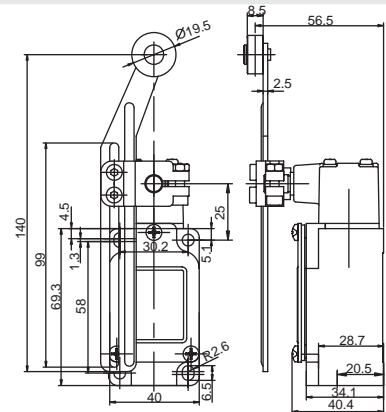
Order Code	Contact block			
SN6266-SP- _	SP		snap action	1NO+1NC

SN6269



Order Code	Contact block			
SN6269-SP- _	SP		snap action	1NO+1NC

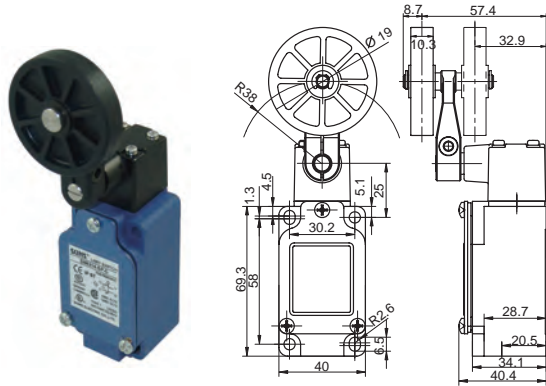
SN6209



Order Code	Contact block			
SN6209-SP- _	SP	⊕	snap action	1NO+1NC
SN6209-SL- _	SL	⊕	slow action	1NO+1NC BBM
SN6209-SL1- _	SL1	⊕	slow action	1NO+1NC MBB
SN6209-SL2- _	SL2	⊕	slow action	2NC

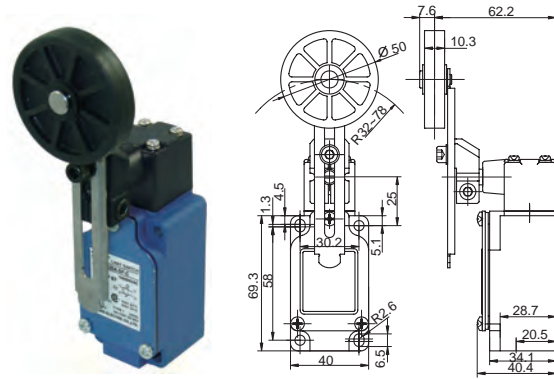
METAL BODIED SAFETY LIMIT SWITCHES SN62 SERIES

SN6214



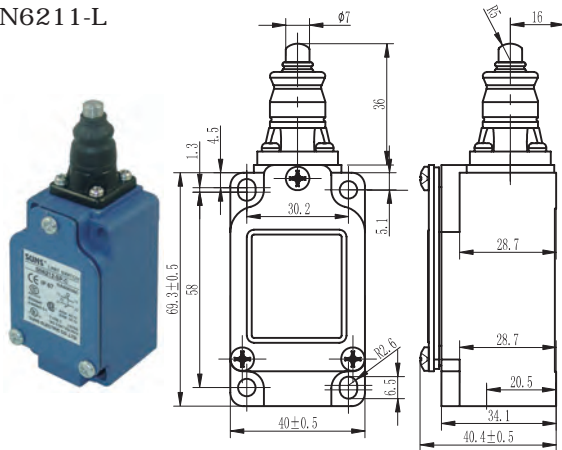
Order Code	Contact block			
SN6214-SP- _	SP		snap action	1NO+1NC
SN6214-SL- _	SL		slow action	1NO+1NC BBM
SN6214-SL1- _	SL1		slow action	1NO+1NC MBB
SN6214-SL2- _	SL2		slow action	2NC

SN6218



Order Code	Contact block			
SN6218-SP- _	SP		snap action	1NO+1NC
SN6218-SL- _	SL		slow action	1NO+1NC BBM
SN6218-SL1- _	SL1		slow action	1NO+1NC MBB
SN6218-SL2- _	SL2		slow action	2NC

SN6211-L



Order Code	Contact block			
SN6211-SP- _L	SP		snap action	1NO+1NC
SN6211-SL- _L	SL		slow action	1NO+1NC BBM
SN6211-SL1- _L	SL1		slow action	1NO+1NC MBB
SN6211-SL2- _L	SL2		slow action	2NC

COMPACT LIMIT SWITCHES SN5 SERIES

Features

- Zinc die cast body, Plastic cover
- Designed for applications with small mounting space
- Highly rigid construction (head and cover snugly fit in box)
- Wide range of actuators available
- Pre-molded flexible cable gland for fast and simple wiring termination

Definitions of Operating Characteristics

OF	Operating Force	PT	Pretravel
RF	Releasing Force	MD	Movement Differential
OT	Overtravel	OP	Operating Position
TT	Total Travel		

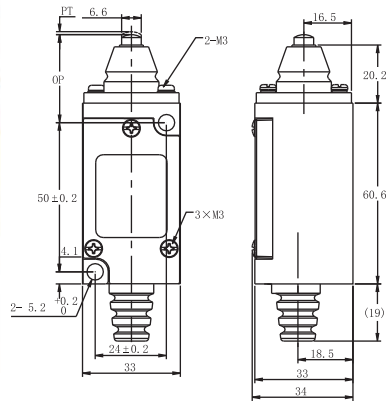
Specifications

Operating Speed	0.05mm-2m/sec
Operating Frequency	Mechanical: 120ops/min Electrical: 30 ops/min
Insulation Resistance	>100MΩ@500V DC
Contact Resistance	<25mΩ (initial value)
Rated Current/Voltage	10A/250V AC (EN60947-5-1) AC15 A600 / DC13 Q300
Dielectric Strength	1000VAC for 1 min between current carrying parts 2500VAC for 1 min between non-current carrying parts
Service Life	Mechanically 1.0 x10 ⁷ (operations) Electrically 5 x10 ⁵ (operations)
Operating Temperature	-20~+80°C (-14~176°F)
Humidity	< 95%RH
Weight	240-290g
Degree of Protection	IP65

Dimensions Unit: mm

<p>SN5104</p> <p>Snap Action</p>	<p>SN5108</p> <p>Snap Action</p>
<p>Operating Characteristics</p> <p>OF_{max} 18Ncm RF_{min} 3Ncm PT_{max} 20° OT_{min} 75° MD 12° TT 95°</p>	<p>Operating Characteristics</p> <p>OF_{max} 18Ncm RF_{min} 3Ncm PT_{max} 20° OT_{min} 75° MD 12° TT 95°</p>

COMPACT LIMIT SWITCHES SN5 SERIES



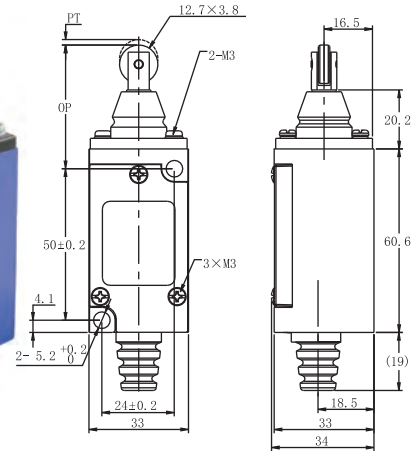
SN5111

Snap Action

 13 14
 21 22

Operating Characteristics

OF_{max} 9N
 RF_{min} 1.5N
 PT_{max} 1.5mm
 OT_{min} 4mm
 MD_{max} 1.2mm
 TT 5.5mm



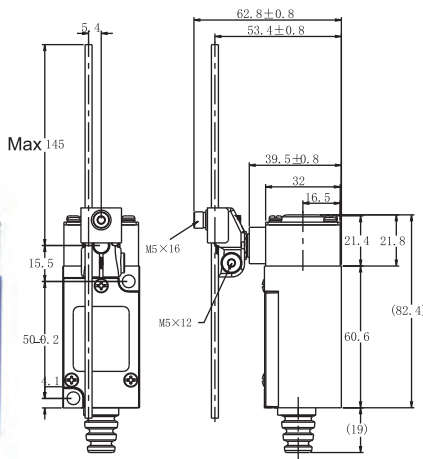
SN5112

Snap Action

 13 14
 21 22

Operating Characteristics

OF_{max} 9N
 RF_{min} 1.5N
 PT_{max} 1.5mm
 OT_{min} 4mm
 MD_{max} 1.2mm
 TT 5.5mm



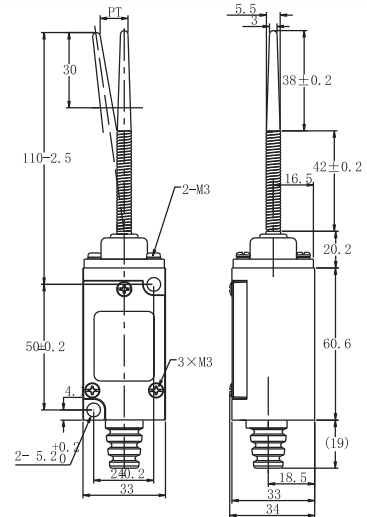
SN5107

Snap Action

 13 14
 21 22

Operating Characteristics

OF_{max} 18Ncm
 RF_{min} 3Ncm
 PT_{max} 20°
 OT_{min} 75°
 MD 12°
 TT 95°



SN5166

Snap Action

 13 14
 21 22

Operating Characteristics

OF_{max} 2N
 PT_{max} 20°
 OT_{min} 2°

COMPACT LIMIT SWITCHES SMN5 SERIES

Features

- Designed for applications with small mounting space
- Highly rigid construction (head and cover snugly fit in box)
- Wide range of actuators available

Definitions of Operating Characteristics

OF	Operating Force	PT	Pretravel
RF	Releasing Force	MD	Movement Differential
OT	Overtravel	OP	Operating Position
TT	Total Travel		

Specifications

Operating Speed	0.05mm-2m/sec
Operating Frequency	Mechanical: 120ops/min Electrical: 30 ops/min
Insulation Resistance	>100MΩ@500V DC
Contact Resistance	<25mΩ (initial value)
Rated Current/Voltage	10A/250V AC (EN60947-5-1) AC15 A600 / DC13 Q300
Dielectric Strength	1000VAC for 1 min between current carrying parts 2500VAC for 1 min between non-current carrying parts
Service Life	Mechanically 1.0 x10 ⁷ (operations) Electrically 5 x10 ⁵ (operations)
Operating Temperature	-20~+80°C (-14~176°F)
Humidity	< 95%RH
Weight	240-290g
Degree of Protection	IP66

Selection Guide:

SMN51

Body
Styles

04

Head Styles

SP

- SP: 1NO/1NC Snap action
- SL: BBM 1NO/1NC Slow Action changeover
- SL1: MBB 1NO/1NC Slow Action Overlapping
- SL2: 2NC Slow Action
- SL3: 2NO Slow Action

D

Conduits

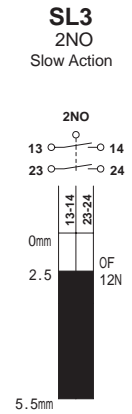
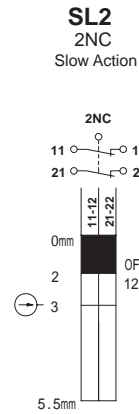
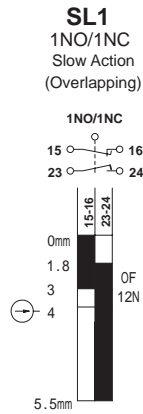
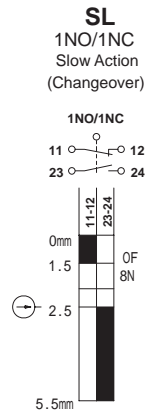
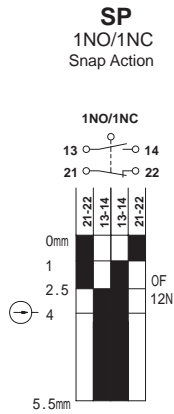
D: M16 x 1.5

COMPACT LIMIT SWITCHES SMN5 SERIES

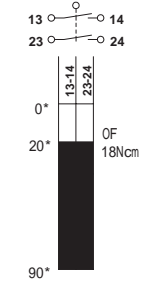
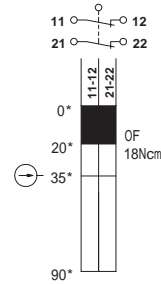
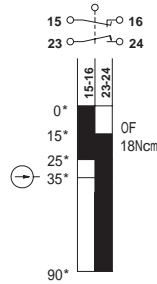
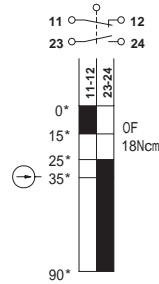
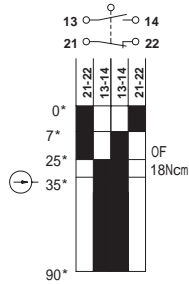
Available contact blocks and travel diagrams



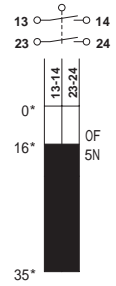
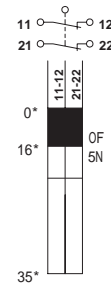
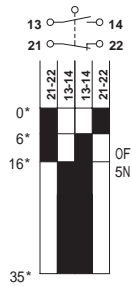
Plunger type
11,12 styles



Side rotary type
04, 07, 08 Styles

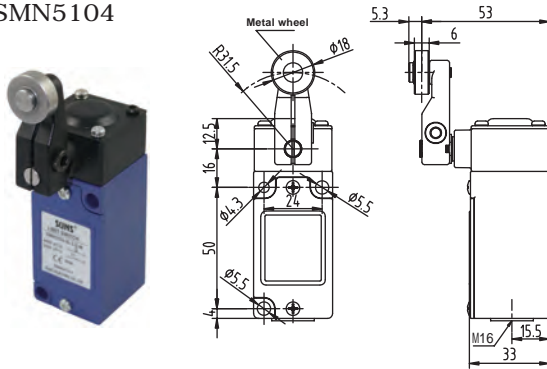


00, 66,69 styles



COMPACT LIMIT SWITCHES SMN5 SERIES

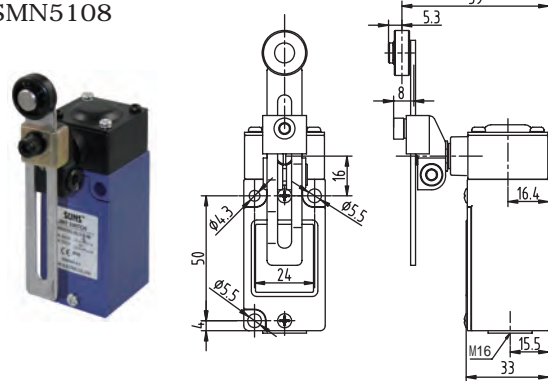
SMN5104



Order Code

SMN5104-SP- _	SP	snap action	1NO+1NC
SMN5104-SL- _	SL	slow action	1NO+1NC BBM
SMN5104-SL1- _	SL1	slow action	1NO+1NC MBB
SMN5104-SL2- _	SL2	slow action	2NC
SMN5104-SL3- _	SL3	slow action	2NO

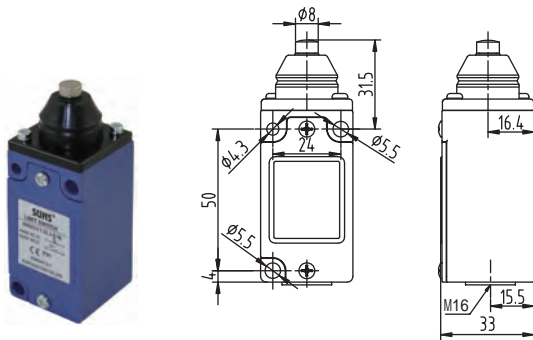
SMN5108



Order Code

SMN5108-SP- _	SP	snap action	1NO+1NC
SMN5108-SL- _	SL	slow action	1NO+1NC BBM
SMN5108-SL1- _	SL1	slow action	1NO+1NC MBB
SMN5108-SL2- _	SL2	slow action	2NC
SMN5108-SL3- _	SL3	slow action	2NO

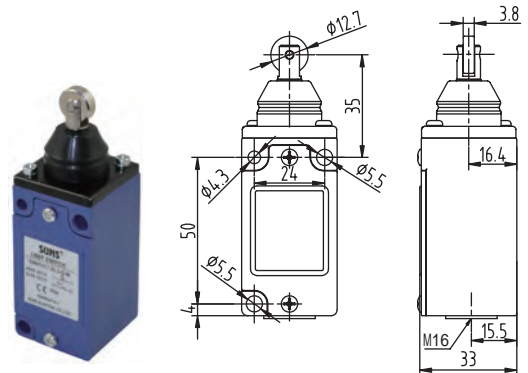
SMN5111



Order Code

SMN5111-SP- _	SP	snap action	1NO+1NC
SMN5111-SL- _	SL	slow action	1NO+1NC BBM
SMN5111-SL1- _	SL1	slow action	1NO+1NC MBB
SMN5111-SL2- _	SL2	slow action	2NC
SMN5111-SL3- _	SL3	slow action	2NO

SMN5112

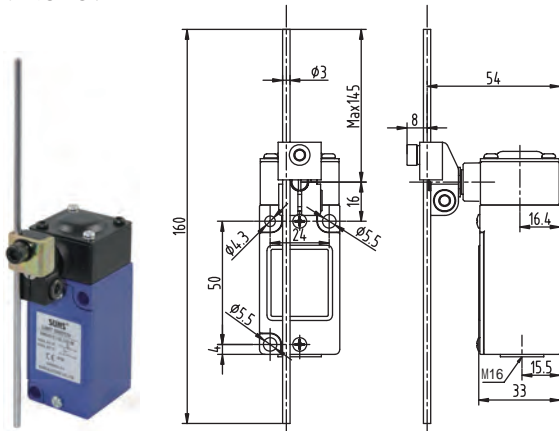


Order Code

SMN5112-SP- _	SP	snap action	1NO+1NC
SMN5112-SL- _	SL	slow action	1NO+1NC BBM
SMN5112-SL1- _	SL1	slow action	1NO+1NC MBB
SMN5112-SL2- _	SL2	slow action	2NC
SMN5112-SL3- _	SL3	slow action	2NO

COMPACT LIMIT SWITCHES SMN5 SERIES

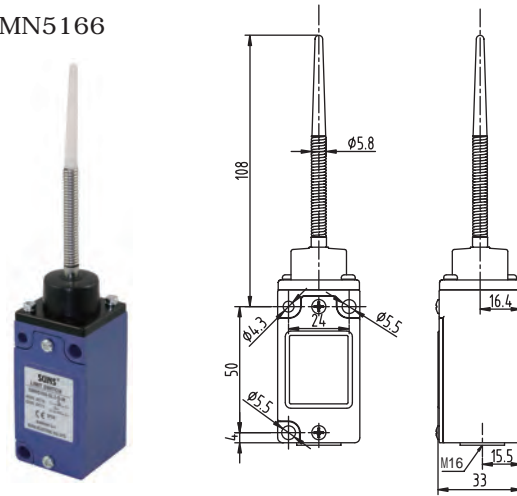
SMN5107



Order Code

SMN5107-SP- _	SP	snap action	1NO+1NC
SMN5107-SL- _	SL	slow action	1NO+1NC BBM
SMN5107-SL1- _	SL1	slow action	1NO+1NC MBB
SMN5107-SL2- _	SL2	slow action	2NC
SMN5107-SL3- _	SL3	slow action	2NO

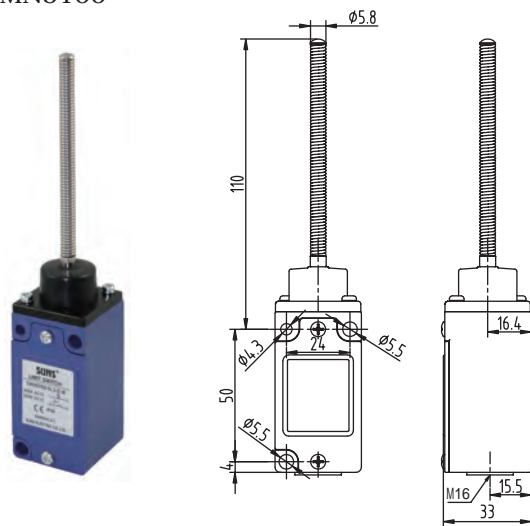
SMN5166



Order Code

SMN5166-SP- _	SP	snap action	1NO+1NC
SMN5166-SL2- _	SL2	slow action	2NC
SMN5166-SL3- _	SL3	slow action	2NO

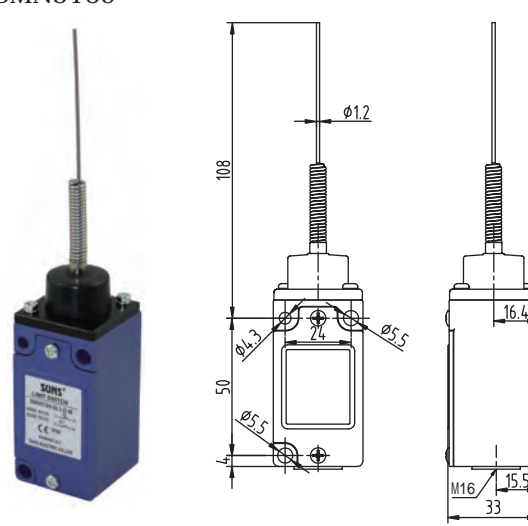
SMN5100



Order Code

SMN5100-SP- _	SP	snap action	1NO+1NC
SMN5100-SL2- _	SL2	slow action	2NC
SMN5100-SL3- _	SL3	slow action	2NO

SMN5169



Order Code

SMN5169-SP- _	SP	snap action	1NO+1NC
SMN5169-SL2- _	SL2	slow action	2NC
SMN5169-SL3- _	SL3	slow action	2NO

SN1 Series Compact Precision Limit Switches

Features

- Robust metal enclosure design
- Compact, space-saving and tightly gang mounting possible
- High sealability, oil-resistant/Immersion-proof type
- Long mechanical life of 20 million operations
- High sensitivity. (M.D. =0.1mm)
- Gold plated contact available for low current applications
- M12 connector type available

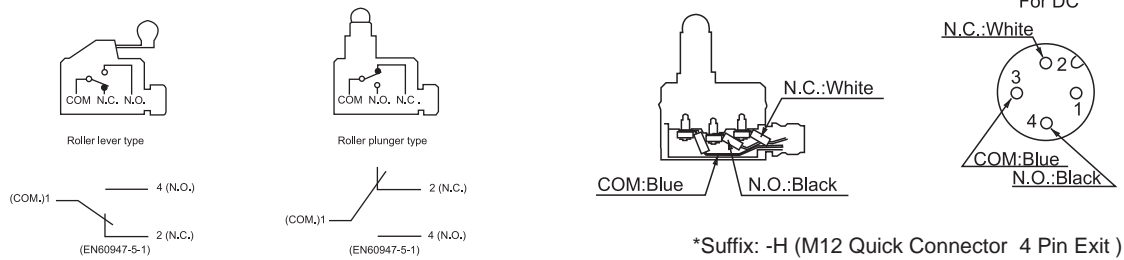
Definitions of Operating Characteristics

OF	Operating Force	PT	Pretravel
RF	Releasing Force	MD	Movement Differential
OT	Overtravel	OP	Operating Position
TT	Total Travel		

Specifications

Operating Speed	0.02mm-0.5m/sec		
Operating Frequency	120 ops/min		
Insulation Resistance	>100MΩ@500V DC		
Contact Resistance	<25mΩ (initial value)		
Electrical Rating	Standard Load Type (Silver contacts)	5A/250VAC or 5A/30VDC	
	Low Current Type (Gold Plated Contacts)	0.1A/250VAC or 0.1A/30VDC	
Dielectric Strength	1000VAC for 1 min between current carrying parts 2500VAC for 1 min between non-current carrying parts		
Service Life	Mechanically	2 x 10 ⁷ (operations)	
	Electrically	5 x 10 ⁵ (operations)	
Operating Temperature	-30~+80°C (-22~176°F)		
Humidity	< 98%		
Degree of Protection	IP67		

Wiring Diagram



Dimensions Unit: mm

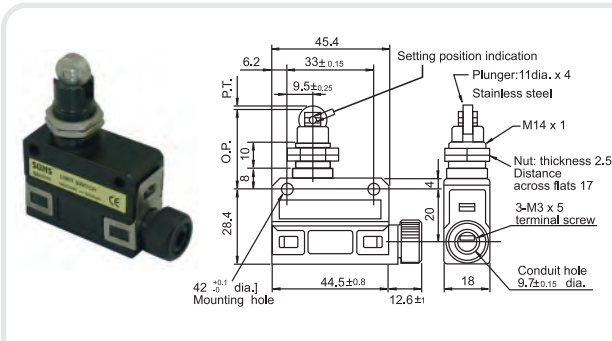
SN1110
Operating Characteristics

- OF_{max} 11.8N
- RF_{min} 4.9N
- PT_{max} 1.5mm
- OT_{min} 3mm
- MD_{max} 0.1mm
- OP 25.4±0.8mm

SN1141
Operating Characteristics

- OF_{max} 4.0 N
- RF_{min} 0.78 N
- PT_{max} 2 mm
- OT_{min} 4 mm
- MD_{max} 0.3 mm
- OP 23.1±0.8mm

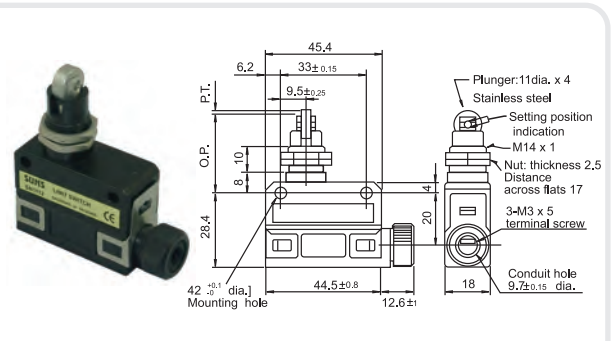
SN1 Series Compact Precision Limit Switches



SN1111

Operating Characteristics

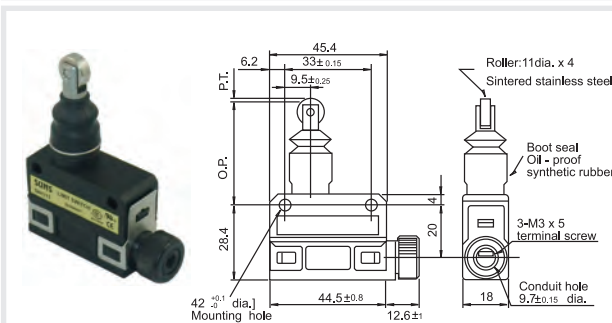
- OF_{max} 11.8N
- RF_{min} 4.9N
- PT_{max} 1.5mm
- OT_{min} 3 mm
- MD_{max} 0.1mm
- OP 31.4±0.8mm



SN1112

Operating Characteristics

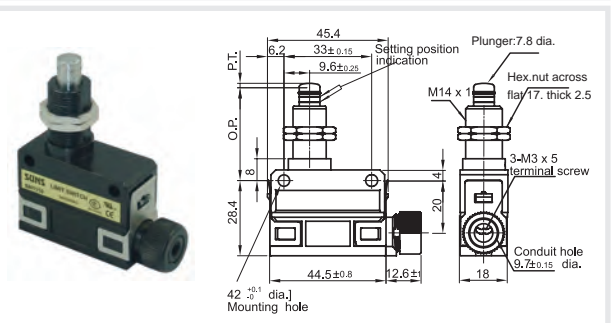
- OF_{max} 11.8N
- RF_{min} 4.9N
- PT_{max} 1.5mm
- OT_{min} 3 mm
- MD_{max} 0.1mm
- OP 31.4±0.8mm



SN1121

Operating Characteristics

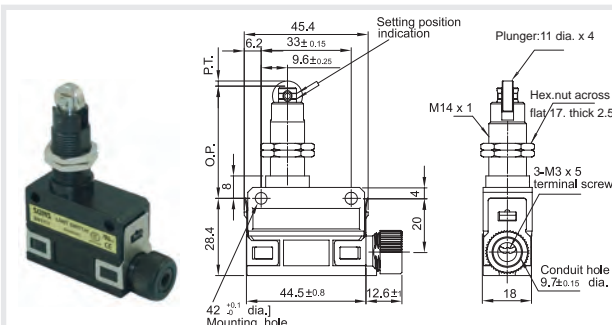
- OF_{max} 11.8N
- RF_{min} 4.9N
- PT_{max} 1.5mm
- OT_{min} 3 mm
- MD_{max} 0.1mm
- OP 41.4±0.8mm



SN1110-E

Operating Characteristics

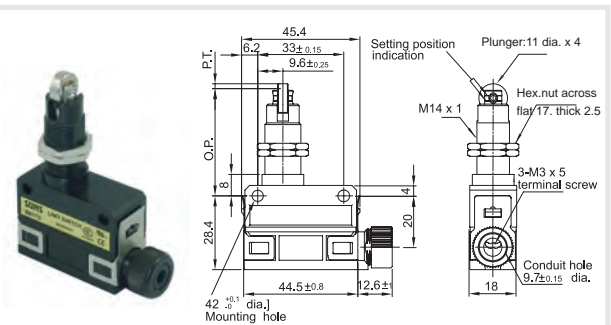
- OF_{max} 11.8N
- RF_{min} 4.9N
- PT_{max} 1.5mm
- OT_{min} 3 mm
- MD_{max} 0.1mm
- OP 35.4±0.8mm



SN1111-E

Operating Characteristics

- OF_{max} 11.8N
- RF_{min} 4.9N
- PT_{max} 1.5mm
- OT_{min} 3 mm
- MD_{max} 0.1mm
- OP 41.4±0.8mm



SN1112-E

Operating Characteristics

- OF_{max} 11.8N
- RF_{min} 4.9N
- PT_{max} 1.5mm
- OT_{min} 3 mm
- MD_{max} 0.1mm
- OP 41.4±0.8mm

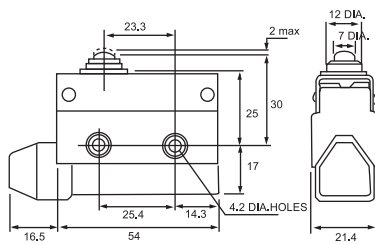
MINI ENCLOSED LIMIT SWITCHES SN7 SERIES

SPECIFICATIONS

Operating Speed	0.05mm-0.5m/sec (panel mount plunger)
Operating Frequency	Mechanical: 120ops/min Electrical: 30 ops/min
Contact Resistance	<15mΩ (initial value)
Insulation Resistance	>100MΩ min at 500V DC
Rated Thermal Current	10A/250VAC
Operating Temperature	-20 ~ +60°(-4~+140°F)
Dielectric Strength	1000V AC (For 1 min)between current carrying parts 2000V AC (For 1 min)between non-current carrying parts
Service Life	Mechanically 1.0x10 ⁷ (operations) Electrically 5 x10 ⁵ (operations)
Humidity	<95%
Weight	~60g
Degree of Protection	IP64 (IP67 for model with -w suffix)

Definitions of Operating Characteristics

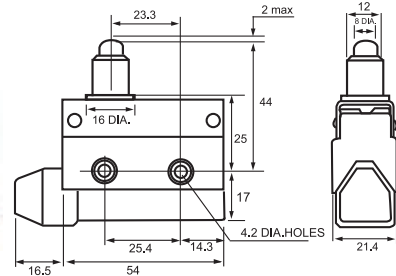
OF	Operating Force	PT	Pretravel
RF	Releasing Force	MD	Movement Differential
OT	Overtravel	OP	Operating Position
TT	Total Travel	PO	Travel to Positive Opening



SN7100

Operating Characteristics

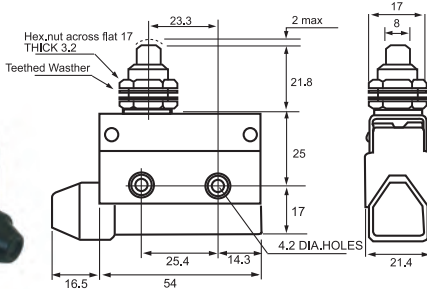
- OF_{max} 5.88N
- RF_{min} 0.98N
- PT_{max} 2.0mm
- OT_{min} 0.8mm
- MD_{max} 0.8mm
- OP 30±0.8mm



SN7110

Operating Characteristics

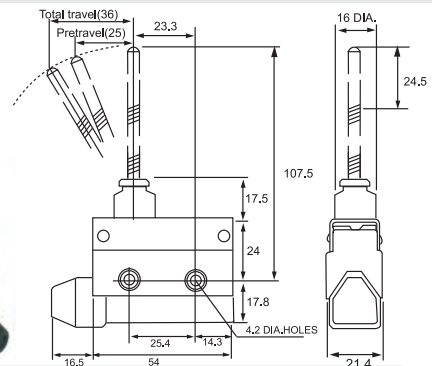
- OF_{max} 5.88N
- RF_{min} 0.98N
- PT_{max} 2.0mm
- OT_{min} 5.0mm
- MD_{max} 0.8mm
- FP_{max} 46mm
- OP 44±1.2mm



SN7310

Operating Characteristics

- OF_{max} 5.88N
- RF_{min} 0.98N
- PT_{max} 2.0mm
- OT_{min} 6.0mm
- MD_{max} 0.8mm
- FP_{max} 23.8
- OP 21.8±0.8mm

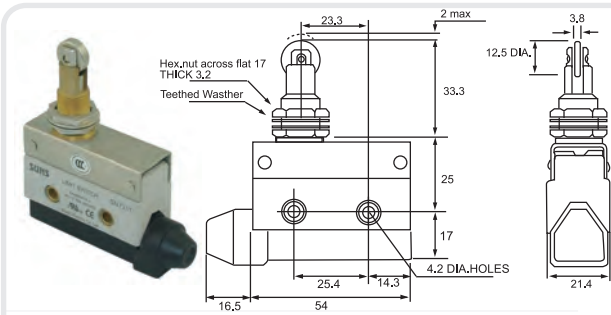


SN7166

Operating Characteristics

- OF_{max} 1.18N
- PT_{max} 25mm
- OT_{min} 11mm
- OP 36mm

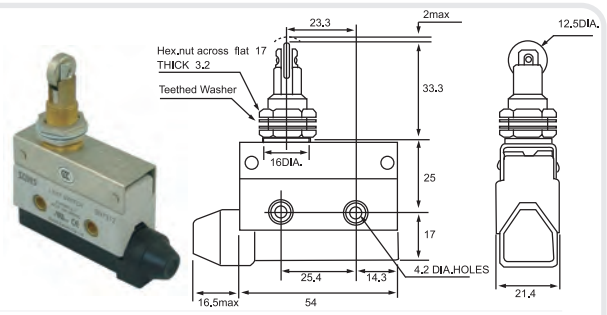
MINI ENCLOSED LIMIT SWITCHES SN7 SERIES



SN7311

Operating Characteristics

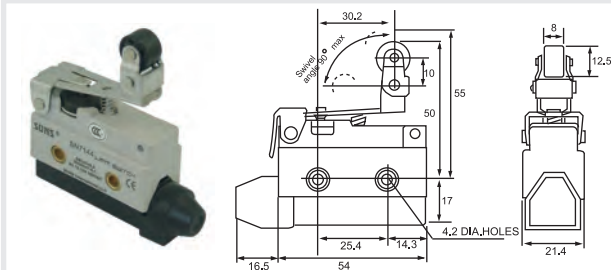
- OF_{max} 5.88N
- RF_{min} 0.98N
- PT_{max} 2.0mm
- OT_{min} 6.0mm
- MD_{max} 0.8mm
- FP_{max} 35.3mm
- OP 33.3±1.2mm



SN7312

Operating Characteristics

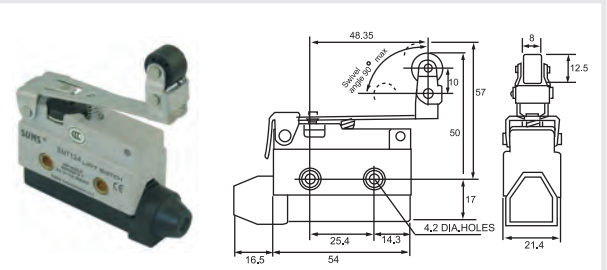
- OF_{max} 5.88N
- RF_{min} 0.98N
- PT_{max} 2.0mm
- OT_{min} 6.0mm
- MD_{max} 0.8mm
- FP_{max} 35.3mm
- OP 33.3±1.2mm



SN7144

Operating Characteristics

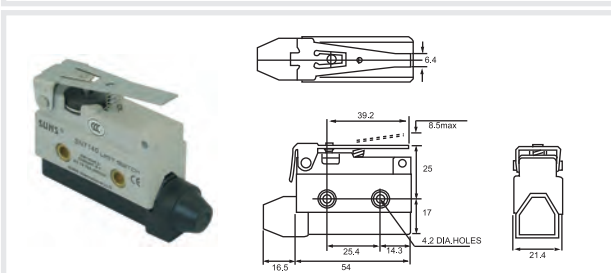
- OF_{max} 2.75N
- RF_{min} 0.98N
- PT_{max} 6.5mm
- OT_{min} 2.0mm
- MD_{max} 1.5mm
- FP_{max} 56mm
- OP 50±1.6mm



SN7124

Operating Characteristics

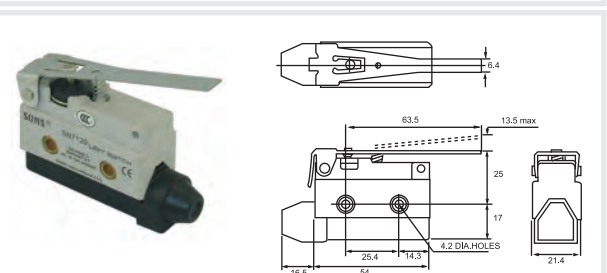
- OF_{max} 2.16N
- RF_{min} 0.59N
- PT_{max} 11.0mm
- OT_{min} 3.0mm
- MD_{max} 2.4mm
- FP_{max} 57
- OP 50±2.0mm



SN7140

Operating Characteristics

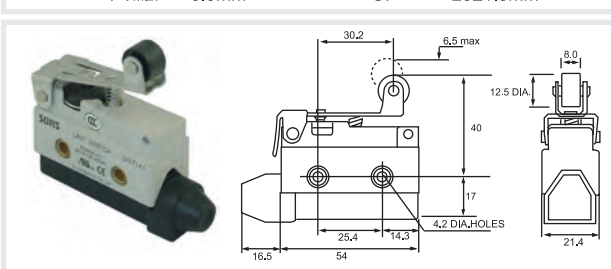
- OF_{max} 2.16N
- RF_{min} 0.59N
- PT_{max} 8.5mm
- OT_{min} 2.5mm
- MD_{max} 2.0mm
- FP_{max} 33.5mm
- OP 25±1.3mm



SN7120

Operating Characteristics

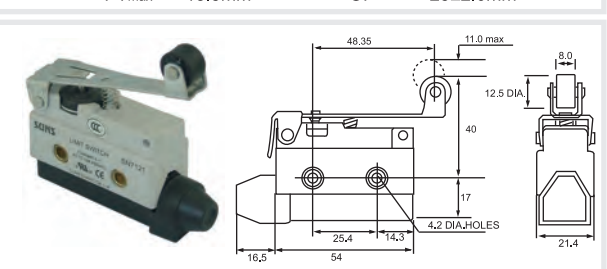
- OF_{max} 1.47N
- RF_{min} 0.39N
- PT_{max} 13.5mm
- OT_{min} 4.0mm
- MD_{max} 3.2mm
- FP_{max} 38.5mm
- OP 25±2.0mm



SN7141

Operating Characteristics

- OF_{max} 2.35N
- RF_{min} 0.87N
- PT_{max} 6.5mm
- OT_{min} 2.0mm
- MD_{max} 1.5mm
- FP_{max} 46.5mm
- OP 40±1.6mm

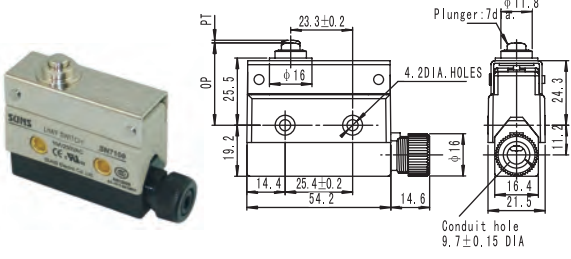


SN7121

Operating Characteristics

- OF_{max} 1.77N
- RF_{min} 0.49N
- PT_{max} 11.0mm
- OT_{min} 3.0mm
- MD_{max} 2.4mm
- FP_{max} 51mm
- OP 40±1.9mm

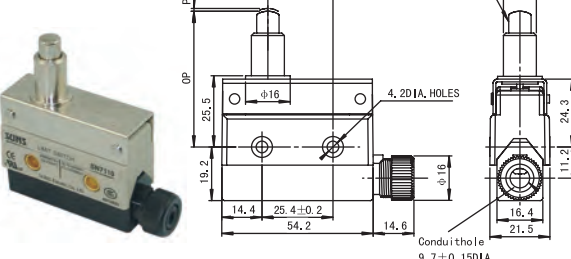
MINI ENCLOSED LIMIT SWITCHES SN7 SERIES (IP67 WATER-PROOF)



SN7100-W

Operating Characteristics

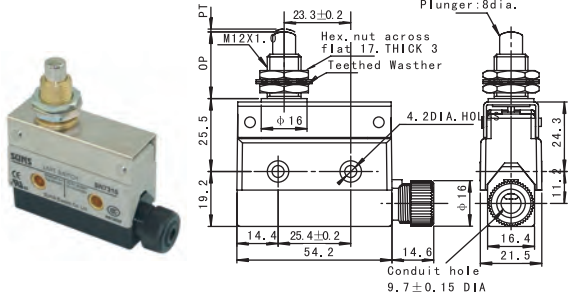
- OF_{max} 5.88N
- RF_{min} 0.98N
- PT_{max} 2.0mm
- OT_{min} 0.8mm
- MD_{max} 0.8mm
- OP 30 ± 0.8mm



SN7110-W

Operating Characteristics

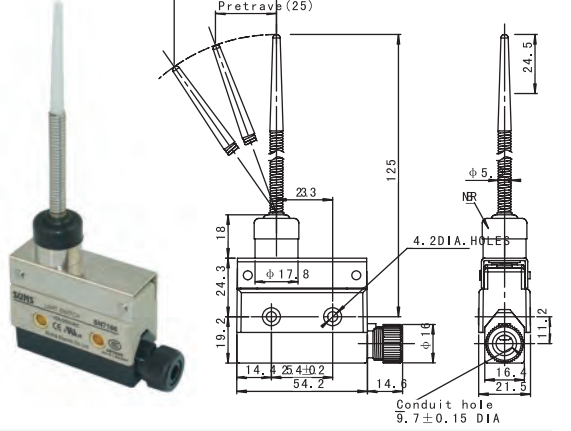
- OF_{max} 5.88N
- RF_{min} 0.98N
- PT_{max} 2.0mm
- OT_{min} 5.0mm
- MD_{max} 0.8mm
- OP 46.8 ± 1.2mm



SN7310-W

Operating Characteristics

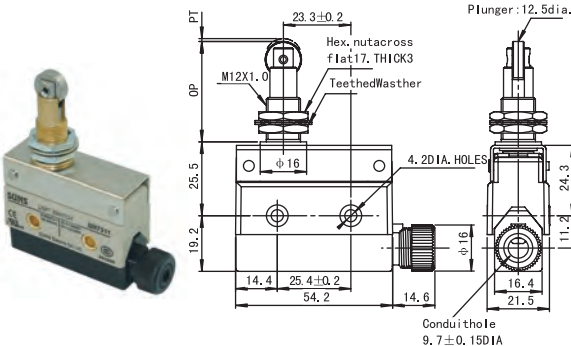
- OF_{max} 5.88N
- RF_{min} 0.98N
- PT_{max} 2.0mm
- OT_{min} 6.0mm
- MD_{max} 0.8mm
- FP_{max} 23.8
- OP 21.8 ± 0.8mm



SN7166-W

Operating Characteristics

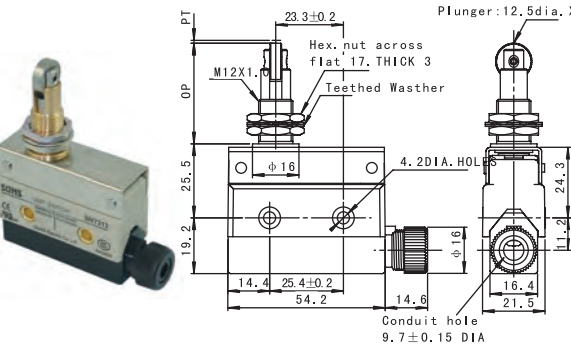
- OF_{max} 1.18N
- PT_{max} 25mm
- OT_{min} 11mm
- OP 36mm



SN7311-W

Operating Characteristics

- OF_{max} 5.88N
- RF_{min} 0.98N
- PT_{max} 2.0mm
- OT_{min} 6.0mm
- MD_{max} 0.8mm
- FP_{max} 35.3mm
- OP 33.3 ± 1.2mm

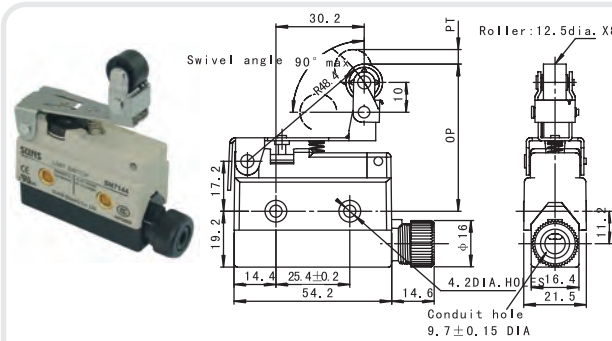


SN7312-W

Operating Characteristics

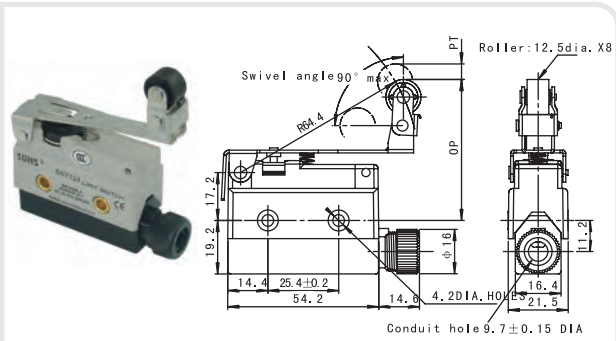
- OF_{max} 5.88N
- RF_{min} 0.98N
- PT_{max} 2.0mm
- OT_{min} 6.0mm
- MD_{max} 0.8mm
- FP_{max} 35.3mm
- OP 33.3 ± 1.2mm

MINI ENCLOSED LIMIT SWITCHES SN7 SERIES (IP67 WATER-PROOF)



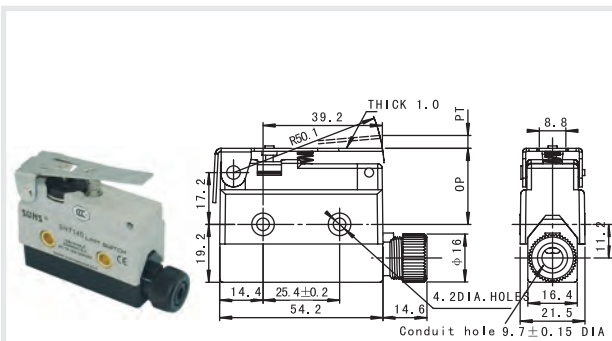
SN7144-W

- Operating Characteristics
- OF_{max} 2.75N
 - RF_{min} 0.98N
 - PT_{max} 6.5mm
 - OT_{min} 2.0mm
 - MD_{max} 1.5mm
 - FP_{max} 56mm
 - OP 50±1.6mm



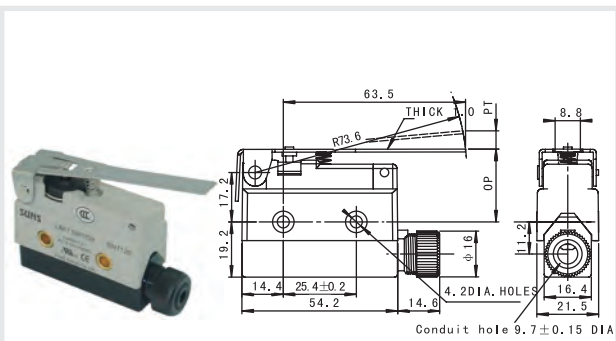
SN7124-W

- Operating Characteristics
- OF_{max} 2.16N
 - RF_{min} 0.59N
 - PT_{max} 11.0mm
 - OT_{min} 3.0mm
 - MD_{max} 2.4mm
 - FP_{max} 57
 - OP 50±2.0mm



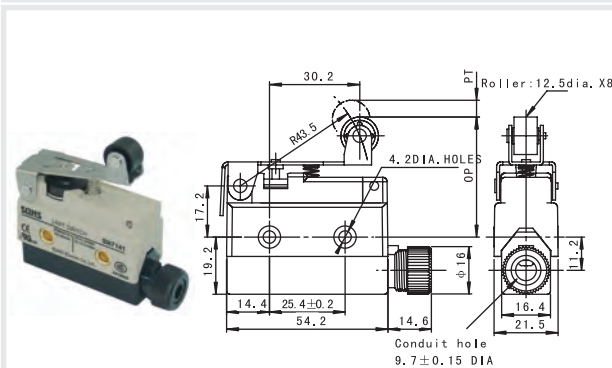
SN7140-W

- Operating Characteristics
- OF_{max} 2.16N
 - RF_{min} 0.59N
 - PT_{max} 8.5mm
 - OT_{min} 2.5mm
 - MD_{max} 2.0mm
 - FP_{max} 33.5mm
 - OP 25±1.3mm



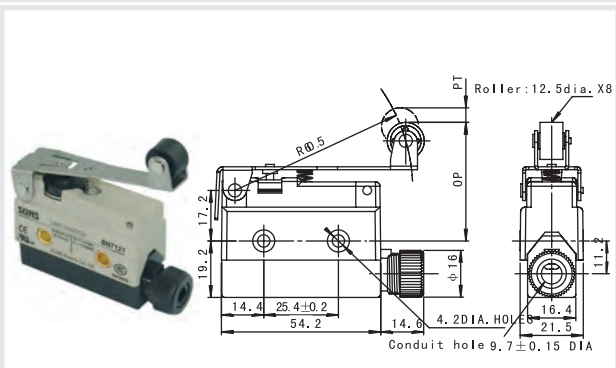
SN7120-W

- Operating Characteristics
- OF_{max} 1.47N
 - RF_{min} 0.39N
 - PT_{max} 13.5mm
 - OT_{min} 4.0mm
 - MD_{max} 3.2mm
 - FP_{max} 38.5mm
 - OP 25±2.0mm



SN7141-W

- Operating Characteristics
- OF_{max} 2.35N
 - RF_{min} 0.87N
 - PT_{max} 6.5mm
 - OT_{min} 2.0mm
 - MD_{max} 1.5mm
 - FP_{max} 46.5mm
 - OP 40±1.6mm



SN7121-W

- Operating Characteristics
- OF_{max} 1.77N
 - RF_{min} 0.49N
 - PT_{max} 11.0mm
 - OT_{min} 3.0mm
 - MD_{max} 2.4mm
 - FP_{max} 51mm
 - OP 40±1.9mm

ENCLOSED LIMIT SWITCHES SN9 SERIES

Features

- Compact and rugged Aluminum housing
- Large wiring enclosure
- High precision switch
- High repeatability of switching point
- Long service life
- Large breaking power
- Conduit opening available in:
M20: suffix -C
1/2NPT: suffix -A

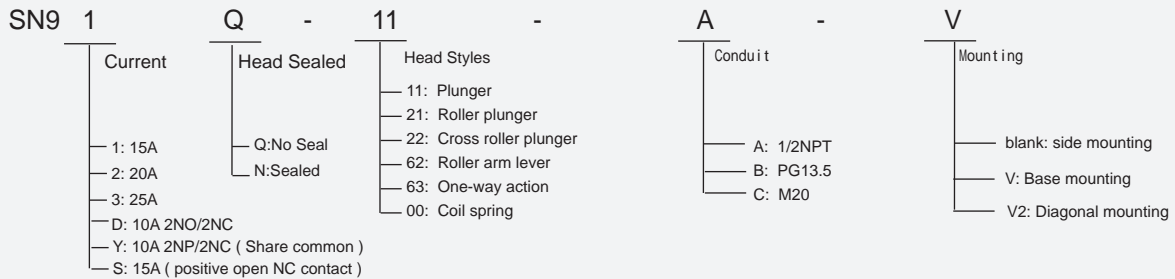
Definitions of Operating Characteristics

OF	Operating Force	PT	Pretravel
RF	Releasing Force	MD	Movement Differential
OT	Overtravel	OP	Operating Position
TT	Total Travel	PO	Travel to Positive Opening

Specifications

Operating Speed	0.02mm-0.5m/sec
Operating Frequency	Mechanical: 120ops/min Electrical: 20 ops/min
Insulation Resistance	>100MΩ@500V DC
Contact Resistance	<25mΩ (initial value)
Rated Current/Voltage (UL file E321073)	SN9D/SN9Y 10A 125/250VAC, 2A 480VAC, 1/2HP 125/250VAC SN9S 15A, 1/2HP 125/250VAC
Dielectric Strength	1000VAC for 1 min between current carrying parts 2500VAC for 1 min between non-current carrying parts
Service Life	Mechanically 1.0 x 10 ⁷ (operations) Electrically 5 x 10 ⁵ (operations)
Operating Temperature	-25~+80°C (-13~176°F)
Humidity	< 95%RH
Degree of Protection	IP65/IP60

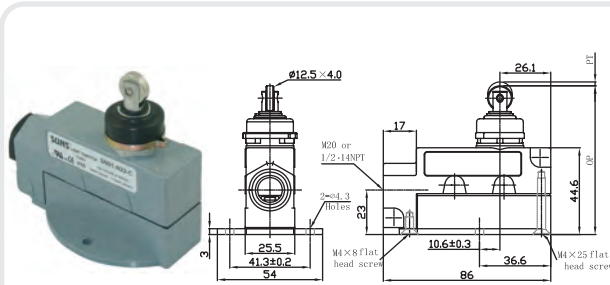
Selection Guide:



Dimensions Unit: mm

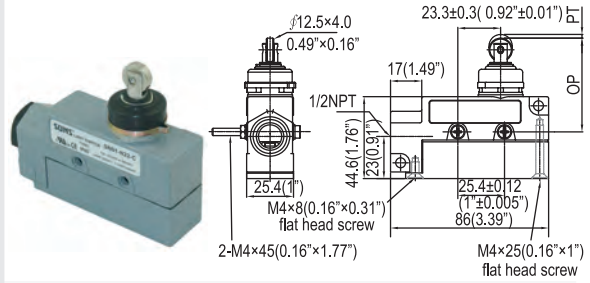
<p>Operating Characteristics</p> <p>SN91-N11-V:</p> <p>OF Max 7.85N RF Min 2.35N PT Max 2mm OT Min 5mm MD Max 0.1mm OP 71.4±0.8mm</p>	<p>Operating Characteristics</p> <p>SN92(3)-N11-V:</p> <p>OF Max 10.53N RF Min 4.01N PT Max 2.8mm OT Min 5mm MD Max 0.4mm OP 71.4±0.8mm</p>	<p>Operating Characteristics</p> <p>SN91-N11:</p> <p>OF Max 7.85N RF Min 2.35N PT Max 2mm OT Min 5mm MD Max 0.1mm OP 45.8±0.8mm</p>	<p>Operating Characteristics</p> <p>SN92(3)-N11:</p> <p>OF Max 10.53N RF Min 4.01N PT Max 2.8mm OT Min 5mm MD Max 0.4mm OP 45.8±0.8mm</p>
<p>Operating Characteristics</p> <p>SN91-N21-V:</p> <p>OF Max 5.4N RF Min 0.98N PT Max 1mm OT Min 3.5mm MD Max 0.12mm OP 75.2±0.8mm</p>	<p>Operating Characteristics</p> <p>SN92(3)-N21-V:</p> <p>OF Max 7.58N RF Min 2.64N PT Max 1.7mm OT Min 3.5mm MD Max 0.48mm OP 75.2±0.8mm</p>	<p>Operating Characteristics</p> <p>SN91-N21:</p> <p>OF Max 5.4N RF Min 0.98N PT Max 1mm OT Min 3.5mm MD Max 0.12mm OP 49.7±0.8mm</p>	<p>Operating Characteristics</p> <p>SN92(3)-N21:</p> <p>OF Max 7.58N RF Min 2.64N PT Max 1.7mm OT Min 3.5mm MD Max 0.48mm OP 49.7±0.8mm</p>

ENCLOSED LIMIT SWITCHES SN9 SERIES



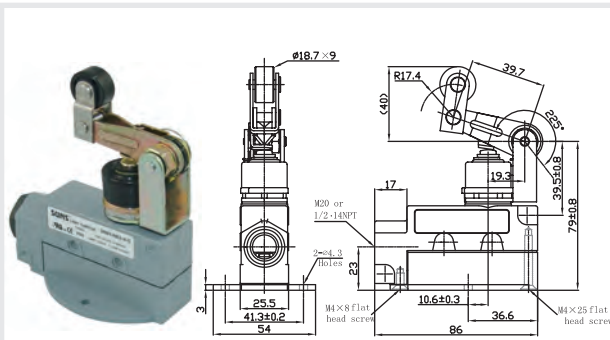
Operating Characteristics
SN91-N22-V:
 OF Max 5.4 N
 RF Min 0.98N
 PT Max 1mm
 OT Min 3.5mm
 MD Max 0.12mm
 OP 75.2 ± 0.8mm

Operating Characteristics
SN92(3)-N22-V:
 OF Max 7.58N
 RF Min 2.64N
 PT Max 1.7mm
 OT Min 3.5mm
 MD Max 0.48mm
 OP 75.2 ± 0.8mm



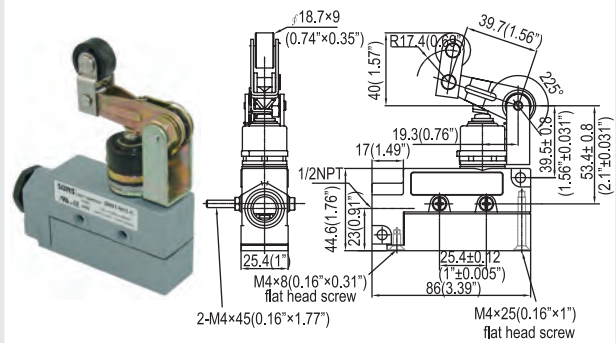
Operating Characteristics
SN91-N22:
 OF Max 5.4 N
 RF Min 0.98N
 PT Max 1mm
 OT Min 3.5mm
 MD Max 0.12mm
 OP 49.7 ± 0.8mm

Operating Characteristics
SN92(3)-N22:
 OF Max 7.58N
 RF Min 2.64N
 PT Max 1.7mm
 OT Min 3.5mm
 MD Max 0.48mm
 OP 49.7 ± 0.8mm



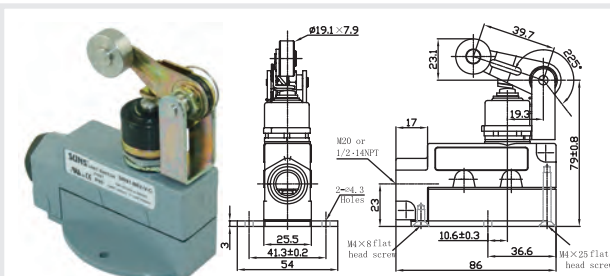
Operating Characteristics
SN91-N63-V:
 OF Max 6.28N
 RF Min 2.26N
 PT Max 5mm
 OT Min 6mm
 MD Max 0.4mm

Operating Characteristics
SN92(3)-N63-V:
 OF Max 8.96N
 RF Min 4.12N
 PT Max 5.9mm
 OT Min 6mm
 MD Max 1.6mm



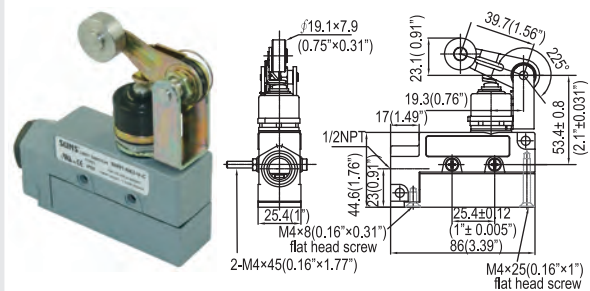
Operating Characteristics
SN91-N63:
 OF Max 6.28N
 RF Min 2.26N
 PT Max 5mm
 OT Min 6mm
 MD Max 0.4mm

Operating Characteristics
SN92(3)-N63:
 OF Max 8.96N
 RF Min 4.12N
 PT Max 5.9mm
 OT Min 6mm
 MD Max 1.6mm



Operating Characteristics
SN91-N62-V:
 OF Max 6.28N
 RF Min 2.26N
 PT Max 5mm
 OT Min 6mm
 MD Max 0.4mm

Operating Characteristics
SN92(3)-N62-V:
 OF Max 8.96N
 RF Min 4.12N
 PT Max 5.9mm
 OT Min 6mm
 MD Max 1.6mm



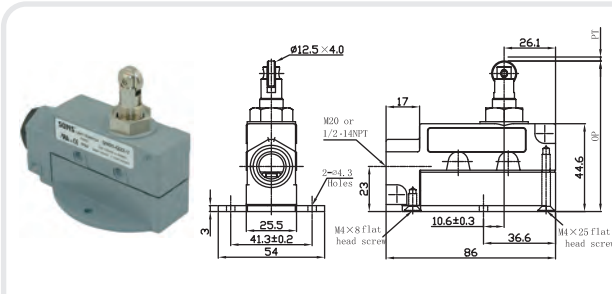
Operating Characteristics
SN91-N62:
 OF Max 6.28N
 RF Min 2.26N
 PT Max 5mm
 OT Min 6mm
 MD Max 0.4mm

Operating Characteristics
SN92(3)-N62:
 OF Max 8.96N
 RF Min 4.12N
 PT Max 5.9mm
 OT Min 6mm
 MD Max 1.6mm

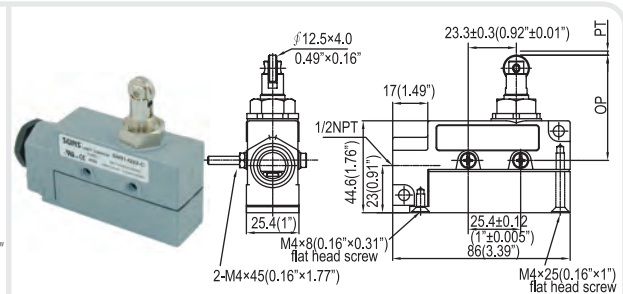
ENCLOSED LIMIT SWITCHES SN9 SERIES

<p>Operating Characteristics</p> <p>SN91-N00-V: OF Max 2 N PT Max 16°</p> <p>Operating Characteristics</p> <p>SN92(3)-N00-V: OF Max 2.62N PT Max 16°</p>	<p>Operating Characteristics</p> <p>SN91-N00: OF Max 2 N PT Max 16°</p> <p>Operating Characteristics</p> <p>SN92(3)-N00: OF Max 2.62N PT Max 16°</p>
<p>Operating Characteristics</p> <p>SN91-Q21-V: OF Max 3.8 N RF Min 1.12N PT Max 0.5mm OT Min 3.5mm MD Max 0.05mm OP 75.2±0.8mm</p> <p>Operating Characteristics</p> <p>SN92(3)-Q21-V: OF Max 3.89~6.11N RF Min 2.78N PT Max 1.2mm OT Min 3.5mm MD Max 0.05~0.2mm OP 75.2±0.8mm</p>	<p>Operating Characteristics</p> <p>SN91-Q21: OF Max 3.8 N RF Min 1.12N PT Max 0.5mm OT Min 3.5mm MD Max 0.05mm OP 49.7±0.8mm</p> <p>Operating Characteristics</p> <p>SN92(3)-Q21: OF Max 3.89~6.11N RF Min 2.78N PT Max 1.2mm OT Min 3.5mm MD Max 0.05~0.2mm OP 49.7±0.8mm</p>
<p>Operating Characteristics</p> <p>SN91-Q11-V: OF Max 3.8 N RF Min 1.12N PT Max 0.5mm OT Min 5.5mm MD Max 0.05mm OP 63.7±0.8mm</p> <p>Operating Characteristics</p> <p>SN92(3)-Q11-V: OF Max 3.89~6.11N RF Min 2.78N PT Max 1.2mm OT Min 5.5mm MD Max 0.05~0.2mm OP 63.7±0.8mm</p>	<p>Operating Characteristics</p> <p>SN91-Q11: OF Max 3.8 N RF Min 1.12N PT Max 0.5mm OT Min 5.5mm MD Max 0.05mm OP 38.2±0.8mm</p> <p>Operating Characteristics</p> <p>SN92(3)-Q11: OF Max 3.89~6.11N RF Min 2.78N PT Max 1.2mm OT Min 5.5mm MD Max 0.05~0.2mm OP 38.2±0.8mm</p>

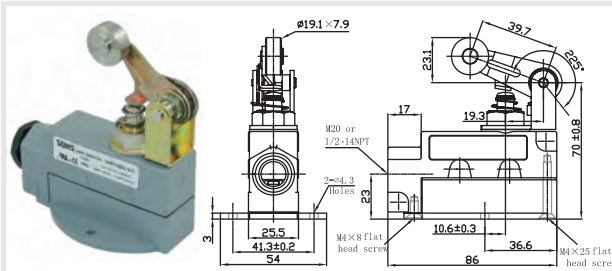
ENCLOSED LIMIT SWITCHES SN9 SERIES



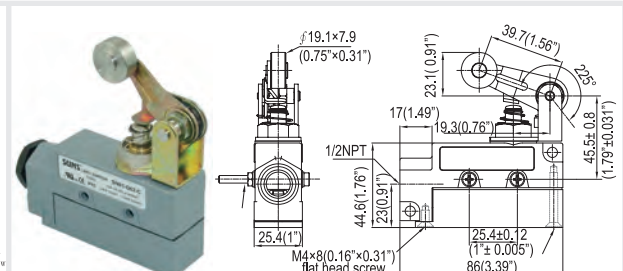
Operating Characteristics		Operating Characteristics	
SN91-Q22-V:	OF Max 3.8 N RF Min 1.12N PT Max 0.5mm OT Min 3.5mm MD Max 0.05mm OP 75.2±0.8mm	SN92(3)-Q22-V:	OF Max 3.89~6.11N RF Min 2.78N PT Max 1.2mm OT Min 3.5mm MD Max 0.05~0.2mm OP 75.2±0.8mm



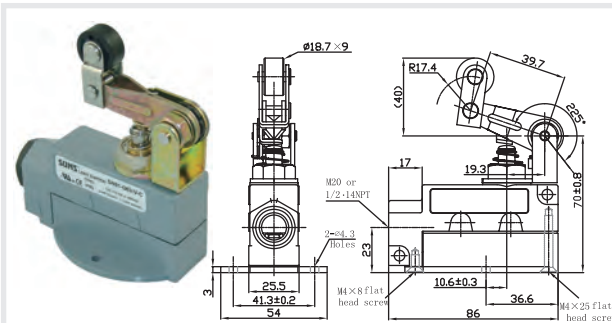
Operating Characteristics		Operating Characteristics	
SN91-Q22:	OF Max 3.8 N RF Min 1.12N PT Max 0.5mm OT Min 3.5mm MD Max 0.05mm OP 49.7±0.8 mm	SN92(3)-Q22:	OF Max 3.89~6.11N RF Min 2.78N PT Max 1.2mm OT Min 3.5mm MD Max 0.05~0.2mm OP 49.7±0.8 mm



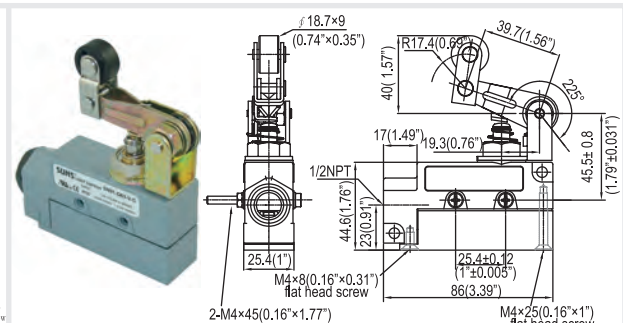
Operating Characteristics		Operating Characteristics	
SN91-Q62-V:	OF Max 5.59N RF Min 1.67N PT Max 4mm OT Min 6mm MD Max 0.4mm	SN92(3)-Q62-V:	OF Max 8.27N RF Min 3.33N PT Max 4.9mm OT Min 6mm MD Max 1.6mm



Operating Characteristics		Operating Characteristics	
SN91-Q62:	OF Max 5.59N RF Min 1.67N PT Max 4mm OT Min 6mm MD Max 0.4mm	SN92(3)-Q62:	OF Max 8.27N RF Min 3.33N PT Max 4.9mm OT Min 6mm MD Max 1.6mm



Operating Characteristics		Operating Characteristics	
SN91-Q63-V:	OF Max 5.59N RF Min 1.67N PT Max 4mm OT Min 6mm MD Max 0.4mm	SN92(3)-Q63-V:	OF Max 8.27N RF Min 3.33N PT Max 4.9mm OT Min 6mm MD Max 1.6mm

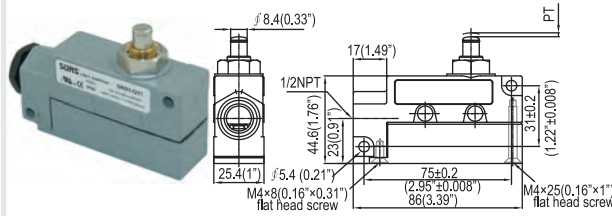


Operating Characteristics		Operating Characteristics	
SN91-Q63:	OF Max 5.59N RF Min 1.67N PT Max 4mm OT Min 6mm MD Max 0.4mm	SN92(3)-Q63:	OF Max 8.27N RF Min 3.33N PT Max 4.9mm OT Min 6mm D Max 1.6mm

ENCLOSED LIMIT SWITCHES SN9 SERIES

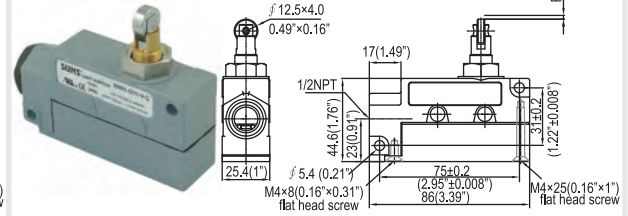
<p>Operating Characteristics</p> <p>SN91-N11-V2: OF Max 7.85N RF Min 2.35N PT Max 2mm OT Min 5mm MD Max 0.1mm</p> <p>Operating Characteristics</p> <p>SN92(3)-N11-V2: OF Max 10.53N RF Min 4.01N PT Max 2.8mm OT Min 5mm MD Max 0.4mm</p>	<p>Operating Characteristics</p> <p>SN91-N21-V2: OF Max 5.4N RF Min 0.98N PT Max 1mm OT Min 3.5mm MD Max 0.12mm</p> <p>Operating Characteristics</p> <p>SN92(3)-N21-V2: OF Max 7.58N RF Min 2.64N PT Max 1.7mm OT Min 3.5mm MD Max 0.48mm</p>
<p>Operating Characteristics</p> <p>SN91-N22-V2: OF Max 5.4N RF Min 0.98N PT Max 1mm OT Min 3.5mm MD Max 0.12mm</p> <p>Operating Characteristics</p> <p>SN92(3)-N22-V2: OF Max 7.58N RF Min 2.64N PT Max 1.7mm OT Min 3.5mm MD Max 0.48mm</p>	<p>Operating Characteristics</p> <p>SN91-N62-V2: OF Max 6.28N RF Min 2.26N PT Max 5mm OT Min 6mm MD Max 0.4mm</p> <p>Operating Characteristics</p> <p>SN92(3)-N62-V2: OF Max 8.96N RF Min 4.12N PT Max 5.9mm OT Min 6mm MD Max 1.6mm</p>
<p>Operating Characteristics</p> <p>SN91-N63-V2: OF Max 6.28N RF Min 2.26N PT Max 5mm OT Min 6mm MD Max 0.4mm</p> <p>Operating Characteristics</p> <p>SN92(3)-N63-V2: OF Max 8.96N RF Min 4.12N PT Max 5.9mm OT Min 6mm MD Max 1.6mm</p>	<p>Operating Characteristics</p> <p>SN91-N00-V2: OF Max 2 N PT Max 16°</p> <p>Operating Characteristics</p> <p>SN92(3)-N00-V2: OF Max 2.62N PT Max 16°</p>

ENCLOSED LIMIT SWITCHES SN9 SERIES



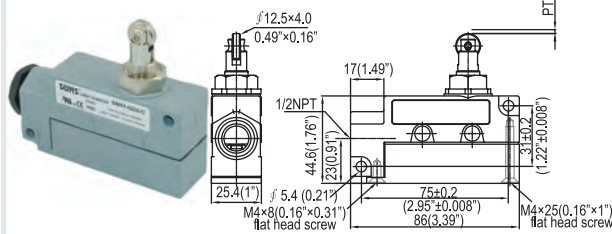
Operating Characteristics
SN91-Q11-V2:
 OF Max 3.8 N
 RF Min 1.12N
 PT Max 0.5mm
 OT Min 5.5mm
 MD Max 0.05mm

Operating Characteristics
SN92(3)-Q11-V2:
 OF Max 3.89~6.11N
 RF Min 2.78N
 PT Max 1.2mm
 OT Min 5.5mm
 MD Max 0.05~0.2mm



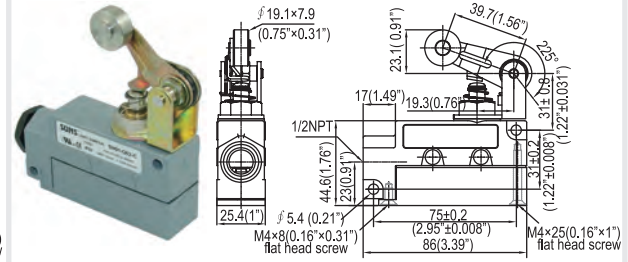
Operating Characteristics
SN91-Q21-V2:
 OF Max 3.8 N
 RF Min 1.12N
 PT Max 0.5mm
 OT Min 3.5mm
 MD Max 0.05mm

Operating Characteristics
SN92(3)-Q21-V2:
 OF Max 3.89~6.11N
 RF Min 2.78N
 PT Max 1.2mm
 OT Min 3.5mm
 MD Max 0.05~0.2mm



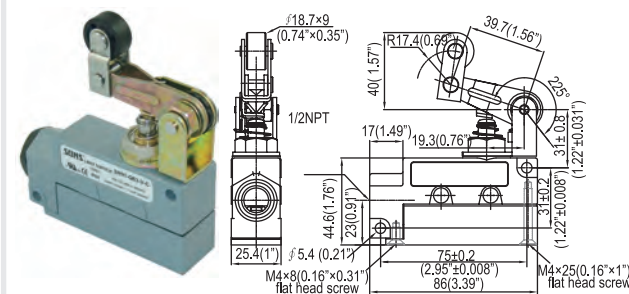
Operating Characteristics
SN91-Q22-V2:
 OF Max 3.8 N
 RF Min 1.12N
 PT Max 0.5mm
 OT Min 3.5mm
 MD Max 0.05mm

Operating Characteristics
SN92(3)-Q22-V2:
 OF Max 3.89~6.11N
 RF Min 2.78N
 PT Max 1.2mm
 OT Min 3.5mm
 MD Max 0.05~0.2mm



Operating Characteristics
SN91-Q62-V2:
 OF Max 5.59N
 RF Min 1.67N
 PT Max 4mm
 OT Min 6mm
 MD Max 0.4mm

Operating Characteristics
SN92(3)-Q62-V2:
 OF Max 8.27N
 RF Min 3.33N
 PT Max 4.9mm
 OT Min 6mm
 MD Max 1.6mm



Operating Characteristics
SN91-Q63-V2:
 OF Max 5.59N
 RF Min 1.67N
 PT Max 4mm
 OT Min 6mm
 MD Max 0.4mm

Operating Characteristics
SN92(3)-Q63-V2:
 OF Max 8.27N
 RF Min 3.33N
 PT Max 4.9mm
 OT Min 6mm
 MD Max 1.6mm

ENCLOSED LIMIT SWITCHES SF9 SERIES

Features

- Compact and rugged Aluminum housing
- Large wiring enclosure
- High precision switch
- High repeatability of switching point
- Long service life
- Large breaking power

Definitions of Operating Characteristics

OF Operating Force	PT Pretravel
RF Releasing Force	MD Movement Differential
OT Overtravel	OP Operating Position
TT Total Travel	

Specifications

Operating Speed	0.02mm-0.5m/sec
Operating Frequency	Mechanical: 120ops/min Electrical: 20 ops/min
Insulation Resistance	>100MΩ@500V DC
Contact Resistance	<25mΩ (initial value)
Rated Current/Voltage	SF9D/SF9Y 10A 125/250VAC, 2A 480VAC, 1/2HP 125/250VAC SF9S 15A, 1/2HP 125/250VAC
Dielectric Strength	1000VAC for 1 min between current carrying parts 2500VAC for 1 min between non-current carrying parts
Service Life	Mechanically 1 x10 ⁷ (operations) Electrically 5 x10 ⁵ (operations)
Operating Temperature	-25~+80°C (-13~176°F)
Humidity	< 95%
Degree of Protection	IP65/IP60

Selection Guide:

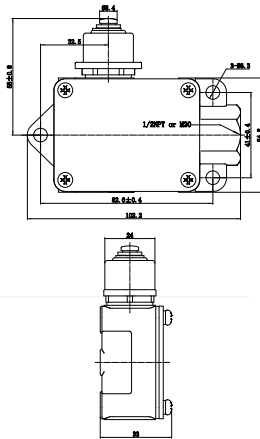
SF9 2	Q -	11 -	A -	L -	R
Current	Head Sealed	Head Styles	Conduit	Actuator location	Resettable
2: 20A 3: 25A D: 10A 2NO/2NC Y: 10A 2NP/2NC (Share common) S: 15A (positive open NC contact)	Q: No Seal N: Sealed	11: Plunger 21: Cross roller plunger 22: Roller plunger 62: Roller arm lever 63: One-way action 00: Coil spring	A: 1/2NPT B: PG13.5 C: M20	Blank: on the right L: on the left	Blank: R: Resettable

Dimensions Unit: mm

SF9_N11-A-L:



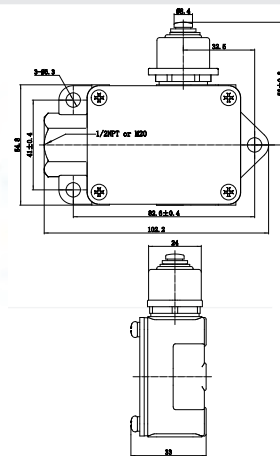
OF Max	11.2N (2.5 lbs)
PT Max	2.39mm (0.094 in)
OT Min	5.56mm (0.219 in)
MD Max	0.26mm (0.01 in)



SF9_N11-A:



OF Max	11.2N (2.5 lbs)
PT Max	2.39mm (0.094 in)
OT Min	5.56mm (0.219 in)
MD Max	0.26mm (0.01 in)

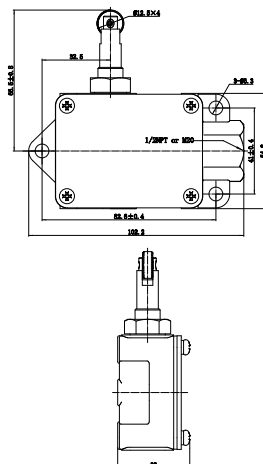


SF9_Q22-A-L:



OF Max	11.2N (2.5 lbs)
PT Max	2.39mm (0.094 in)
OT Min	3.96mm (0.156 in)
MD Max	0.26mm (0.01 in)

*Roller orientation field adjustable

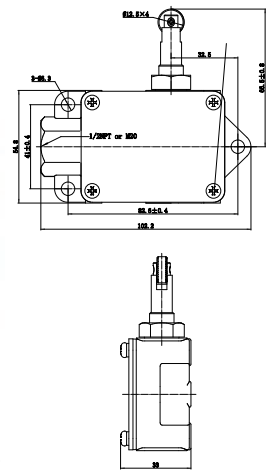


SF9_Q22-A:



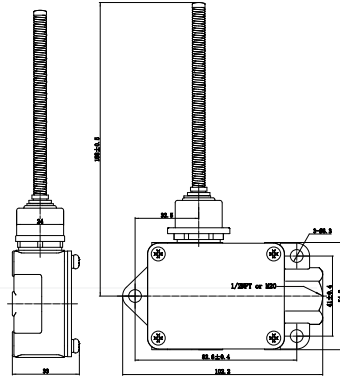
OF Max	11.2N (2.5 lbs)
PT Max	2.39mm (0.094 in)
OT Min	3.96mm (0.156 in)
MD Max	0.26mm (0.01 in)

*Roller orientation field adjustable



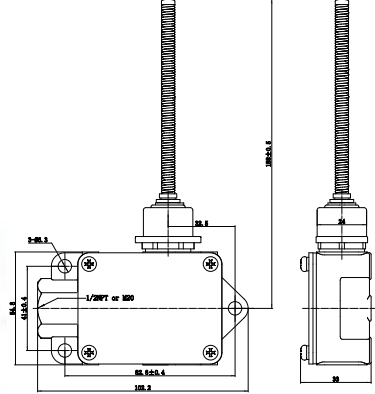
ENCLOSED LIMIT SWITCHES SF9 SERIES

**SF91-N00-A-L:
SF9_N00-A-L:**



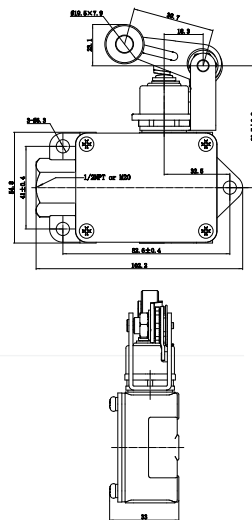
PT Max 15°

**SF91-N00-A:
SF9_N00-A:**



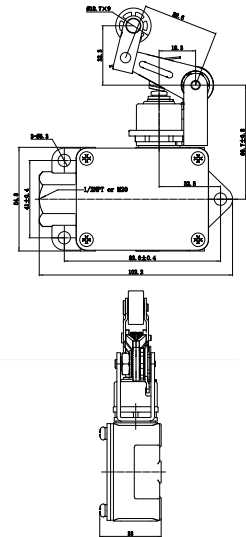
PT Max 15°

**SF91-N62-A:
SF9_N62-A:**



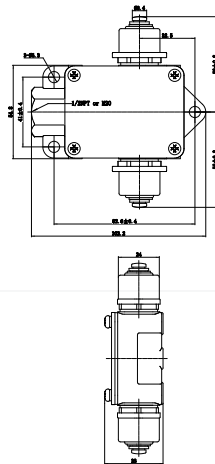
OF Max 8.90N (2.0 lbs)
PT Max 5.56mm (0.219 in)
OT Min 6.35mm (0.25 in)
MD Max 0.51mm (0.02 in)

**SF91-N63-A:
SF9_N63-A:**



OF Max 8.90N (2.0 lbs)
PT Max 5.56mm (0.219 in)
OT Min 6.35mm (0.25 in)
MD Max 0.51mm (0.02 in)

**SF91-N11-A-R:
SF9_N11-A-R:**



OF Max 7.79N (1.75 lbs)
PT Max 2.39mm (0.094 in)
OT Min 5.56mm (0.219 in)
MD Max 0.26mm (0.01 in)

ENCLOSED LIMIT SWITCHES SP9 SERIES

Features

- Compact and rugged Aluminum housing
- Large wiring enclosure
- High precision switch
- High repeatability of switching point
- Long service life
- Large breaking power
- Conduit opening available in:
 - M20: suffix -C
 - 1/2NPT: suffix -A

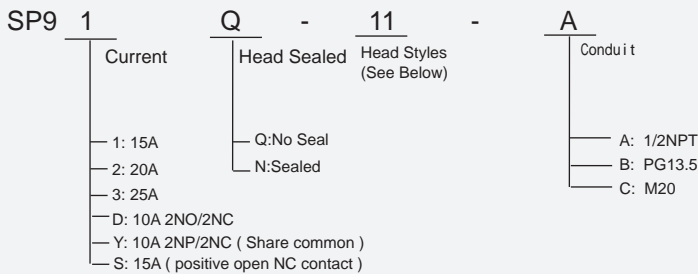
Definitions of Operating Characteristics

OF	Operating Force	PT	Pretravel
RF	Releasing Force	MD	Movement Differential
OT	Overtravel	OP	Operating Position
TT	Total Travel		

Specifications

Operating Speed	0.02mm-0.5m/sec
Operating Frequency	Mechanical: 120ops/min Electrical: 20 ops/min
Insulation Resistance	>100MΩ@500V DC
Contact Resistance	<25mΩ (initial value)
Rated Current/Voltage (UL file E321073)	SP9D/SP9Y 10A 125/250VAC, 2A 480VAC, 1/2HP 125/250VAC SP9S 15A, 1/2HP 125/250VAC
Dielectric Strength	1000VAC for 1 min between current carrying parts 2500VAC for 1 min between non-current carrying parts
Service Life	Mechanically 1 x 10 ⁷ (operations) Electrically 5 x 10 ⁵ (operations)
Operating Temperature	-25~+80°C (-13~176°F)
Humidity	< 95%
Degree of Protection	IP65/IP60

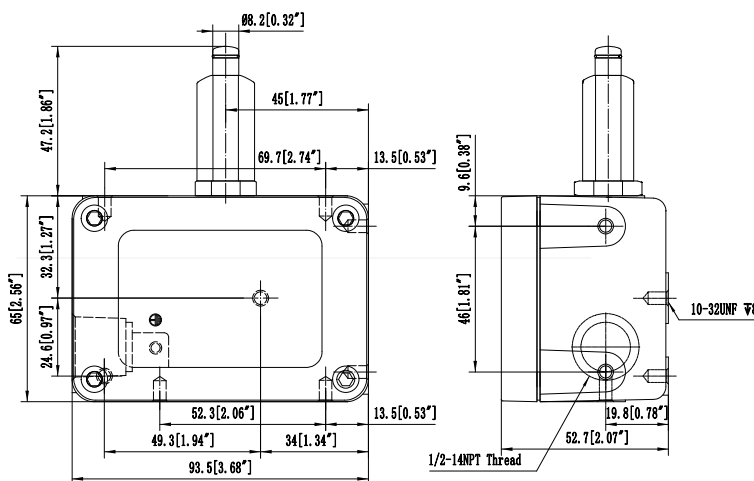
Selection Guide:



SP91-N04-A

Dimensions Unit: mm

SP9_-Q11-A:



Operating Characteristics:

SP91:

- OF_{max} 13.3N
- PT_{max} 1.98mm
- OT_{min} 4.78mm
- DT_{max} 0.10mm
- OP 47.2*1.52mm

SP92/SP93:

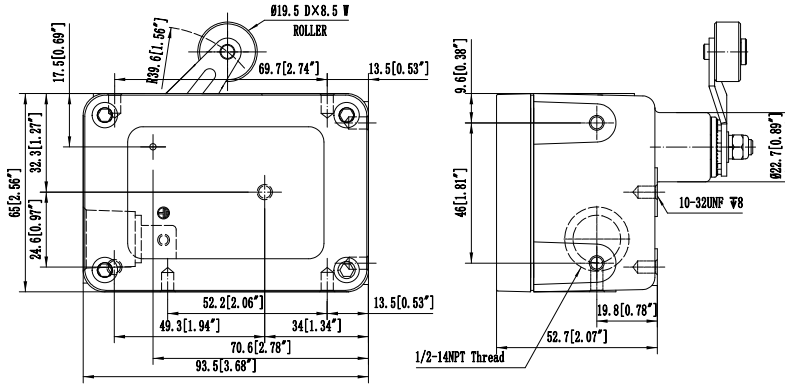
- OF_{max} 8.9N
- PT_{max} 1.27mm
- OT_{min} 3.18mm
- DT_{max} 0.23mm
- OP 46*1.52mm

SP9D/SP9Y:

- OF_{max} 13.3N
- PT_{max} 2.77mm
- OT_{min} 3.58mm
- DT_{max} 1.52mm
- OP 46*1.52mm

ENCLOSED LIMIT SWITCHES SP9 SERIES

SP9_-N04-A:



Operating Characteristics:

SP91:

- OF_{max} 5.56N
- PT_{max} 8°
- OT_{min} 90°
- DT_{max} 0.25°

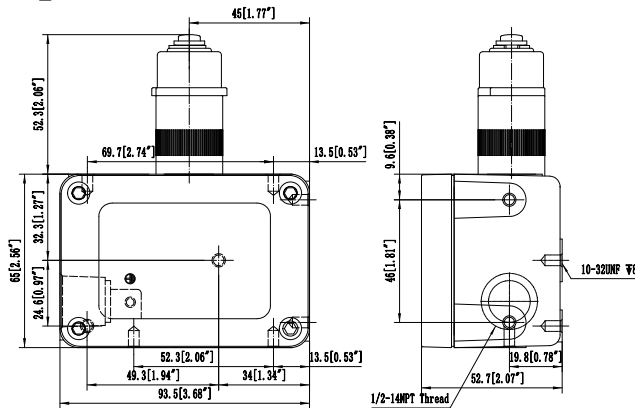
SP92/SP93:

- OF_{max} 8.9N
- PT_{max} 8°
- OT_{min} 25°
- DT_{max} 0.4°

SP9D/SP9Y:

- OF_{max} 6.67N
- PT_{max} 10°
- OT_{min} 25°
- DT_{max} 0.4°

SP9_-N11-A:



Operating Characteristics:

SP91:

- OF_{max} 15.5N
- PT_{max} 1.98mm
- OT_{min} 4.78mm
- DT_{max} 0.10mm
- OP 47.2°1.52mm

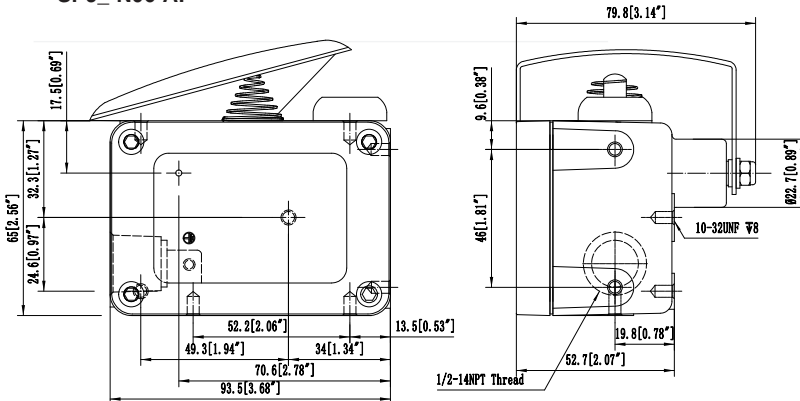
SP92/SP93:

- OF_{max} 11.1N
- PT_{max} 1.27mm
- OT_{min} 3.18mm
- DT_{max} 0.23mm
- OP 46°1.52mm

SP9D/SP9Y:

- OF_{max} 15.5N
- PT_{max} 2.77mm
- OT_{min} 3.58mm
- DT_{max} 1.52mm
- OP 46°1.52mm

SP9_-N06-A:



Operating Characteristics:

- OF_{max} 11.1N

SNH Series Limit Switches for Hoisting and Mechanical Handling

Environment

Conforming to standards	Products	IEC 947-5-1, EN 60 947-5-1, VDE 0660-200, UL 508, CSA C22-2
	Machine assemblies	IEC 204-1, EN 60 204-1, NF C 79-130
Ambient air temperature		Operation: - 25 ~ 70 °C Storage: - 40 ~ 70 °C
Vibration resistance		9 gn (10- 500 Hz),
Shock resistance		68 gn,
Electric shock protection		Class I conforming to IEC 536 and NF C 20-030
Degree of protection		IP54
Cable entry		1/2NPT, M20x1.5, PG13.5
Rated operational characteristics		AC-15 ; A600 (Ue = 240 V, Ie = 3 A) DC-13 ; Q300 (Ue = 250 V, Ie = 0.27 A) conforming to IEC 947-5-1 Appendix A, EN 60 947-5-1
Rated insulation voltage		Ui = 600 V degree of pollution 3 conforming to IEC 947-1 and VDE 0110, Ui = 600 V conforming to UL 508, CSA C22-2 No.14
Rated impulse withstand voltage		U imp = 6 kV conforming to IEC 947-1, IEC 664
Positive operation		N/C contacts with positive opening operation to IEC 947-5-1 Section 3, EN 60 947-5-1
Resistance across terminals		≤ 25 m Ω
Short-circuit protection		10A cartridge fuse type gG (gl)
Cabling		Screw clamp terminals. : Clamping capacity, min. : 1 x 0.5 mm ² , max. : 2 x 2.5 mm ²
Minimum actuation speed		0.001 m/minute,
Electrical durability		Conforming to IEC 947-5-1 Appendix C. Utilization categories AC-15 and DC-13. Maximum operating rate : 3600 operating cycles per hour. Load factor : 0.5



SNH Series Limit Switches for Hoisting and Mechanical Handling



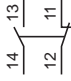
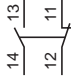
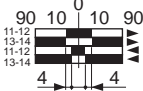
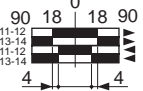
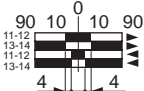
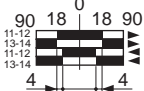
Type of operating head	Rotary with spring return to off position Maximum displacement : 55 ° in each direction			Stay put 90 ° in each direction
Type of operator	Metal rod, \varnothing 6 mm	Thermoplastic roller lever	Large thermoplastic roller lever	Metal rods, \varnothing 6 mm crossed or T(1)
References	N/C contact with positive opening operation (P)= positive opening point			

snap action	SNH-07-SP-T 	SNH-17-SP-T 	SNH-04-SP-T 	SNH-2-SP-T
	Both contacts operate in each direction	1 st contacts 2 nd contacts	1 st contacts 2 nd contacts	1 st contacts 2 nd contacts
snap action	SNH-07-SP-N 	SNH-17-SP-N 	SNH-04-SP-N 	SNH-2-SP-N
	1 contact operate in each direction	1 st contacts 2 nd contacts	1 st contacts 2 nd contacts	1 st contacts 2 nd contacts
slow break	SNH-07-SL-T 	SNH-17-SL-T 	SNH-04-SL-T 	SNH-2-SL-T
	Both contacts operate in each direction	1 st contacts 2 nd contacts	1 st contacts 2 nd contacts	1 st contacts 2 nd contacts
slow break	SNH-07-SL-N 	SNH-17-SL-N 	SNH-04-SL-N 	SNH-2-SL-N
	1 contact operate in each direction	1 st contacts 2 nd contacts	1 st contacts 2 nd contacts	1 st contacts 2 nd contacts
Weight (kg)	1.110	1.145	1.155	1.135

Complementary characteristics

Maximum actuation speed	1.5m/s		
Mechanical durability	10 million operating cycles		
Minimum torque	for tripping	0.45N.m	0.60N.m
	for positive opening	0.75N.m	0.70N.m

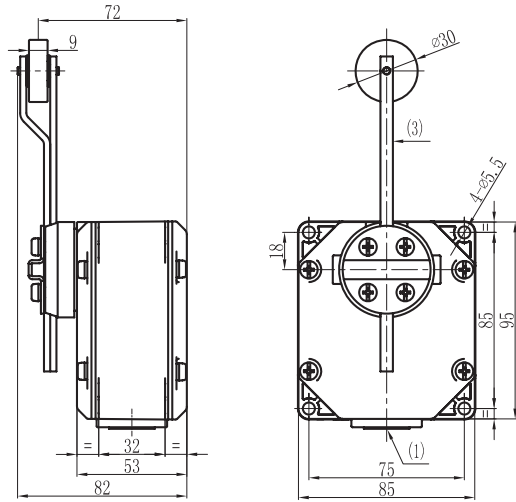
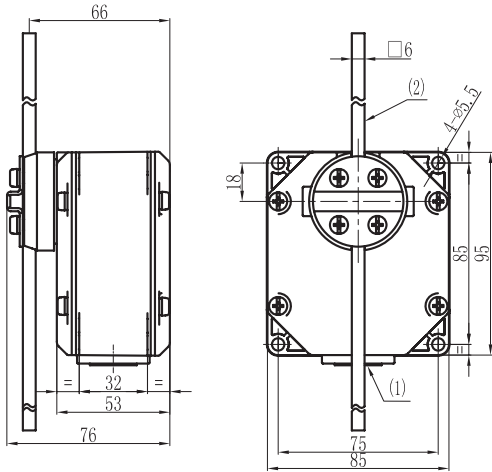
SNH Series Limit Switches for Hoisting and Mechanical Handling

Type of switch	Standard	For corrosive atmospheres
		
Features	Zinc alloy enclosure Zinc plated steel lever, spring return to off position Cam angles 10 ° and 18 ° Maximum displacement : 90 °	Zinc alloy enclosure Stainless steel lever, spring return to off position Cam angles 10 ° and 18 ° Maximum displacement : 90 °
2 single-pole C/O snap action Both contacts operate in each direction  1 st contact  2 nd contact	SNH-37-SP-S 1 st contact  2 nd contact 	SNH-37-SP-S(Stainless) 1 st contact  2 nd contact 
Weight(Kg)	1.170	1.170
Mechanical durability	0.3 million operating cycles	
Minimum tripping torque	1 N.m	

SNH Series Limit Switches for Hoisting and Mechanical Handling

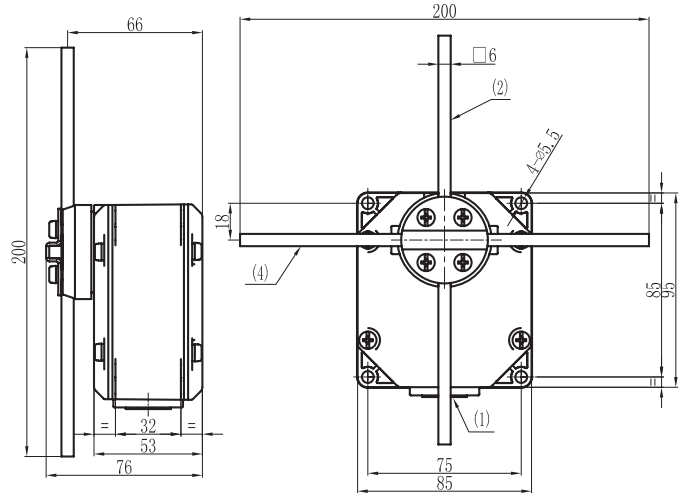
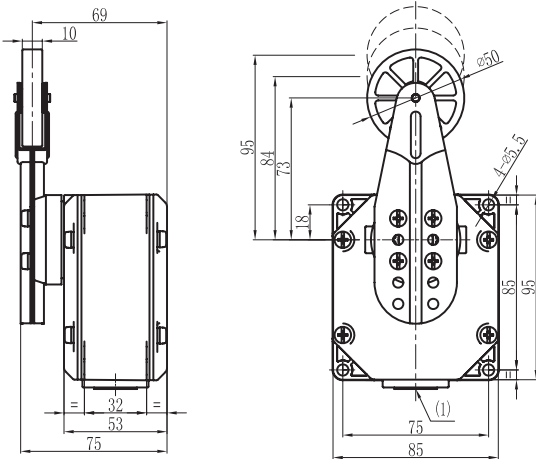
SNH-07

SNH-17



SNH-04

SNH-27/SNH-28



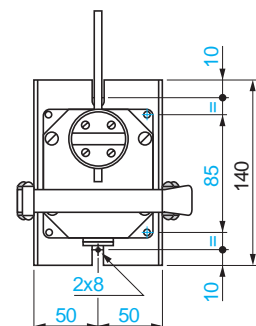
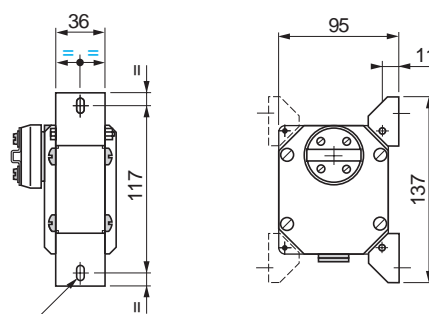
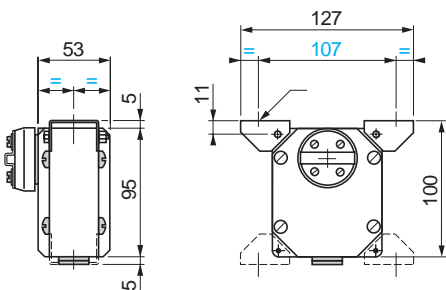
- (1) 1 cable entry: M20, 1/2NPT or PG13.5
- (2) Rod length: 200mm
- (3) Rod + roller length: 160mm
- (4) Rod length: 200mm for SNH-27, 300mm for SNH-28

Alternative fixing using 2 adjustable brackets

Quick fixing/release bracket

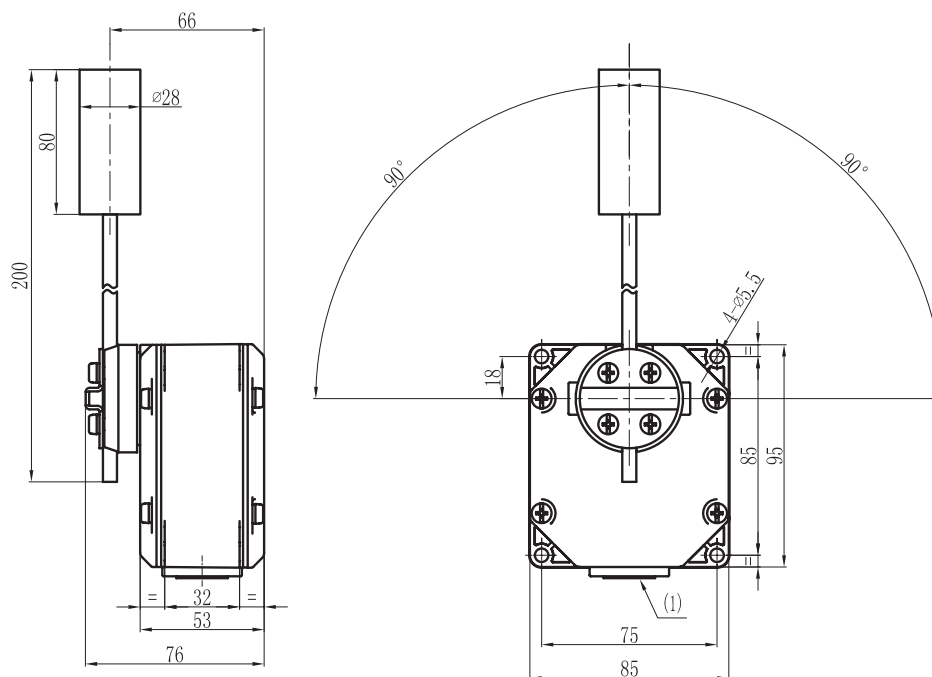
Horizontal position

Vertical position



SNH Series Limit Switches for Hoisting and Mechanical Handling

SNH-37



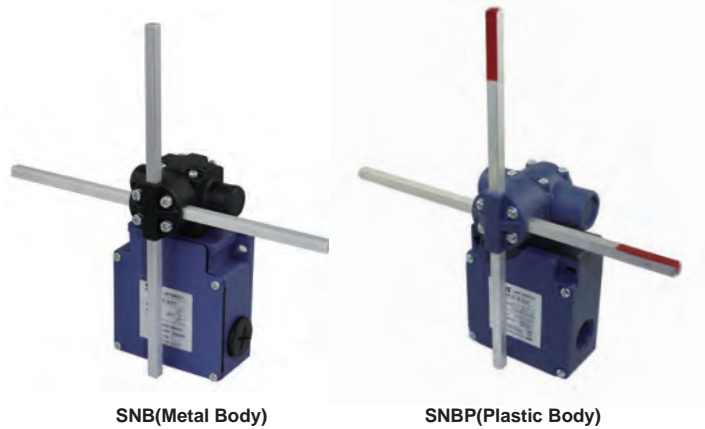
SNB(P) Series Limit Switches for Hoisting and Mechanical Handling

Type of operating head	Rotary
Type of operator	Crossed metal rods (Standard rod 200mm, 300mm version available)

Selection Guide

Housing Material	Zinc alloy	Plastic	
Operation Type	Single-speed	SNB-27-SL-N*	SNBP-27-SL-N*
	Two-speed	SNB-27-SL2-N*	SNBP-27-SL2-N*
	Bypass	SNB-27-SL-T*	SNBP-27-SL-T*
Weight (Kg)	0.550	0.315	

* Add suffix -R to have operating head with opposite direction



SNB(Metal Body)

SNBP(Plastic Body)

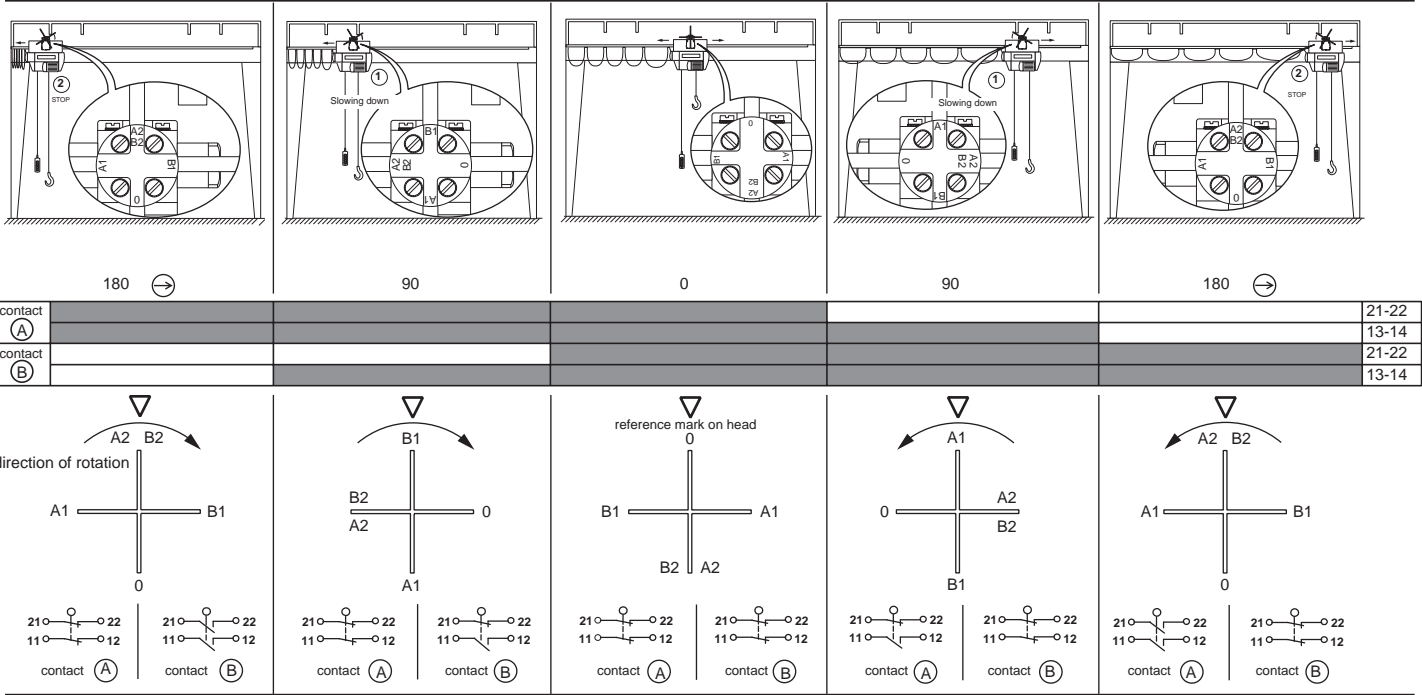
References	N/C contact with positive opening operation	(P)= positive opening point
------------	---	-----------------------------

Characteristics

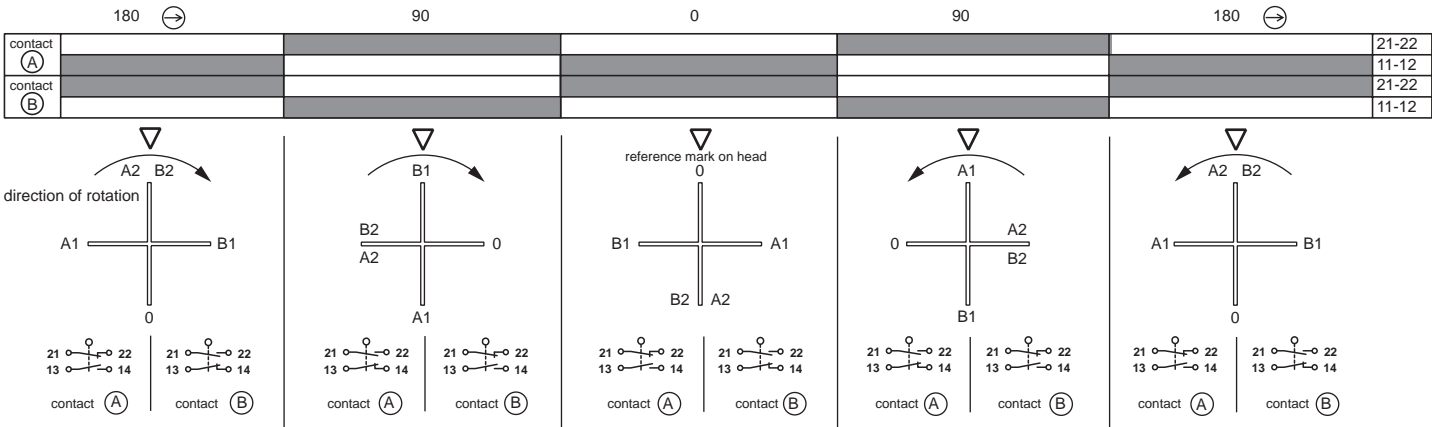
Products	IEC 947-5-1, EN 60 947-5-1, VDE 0660-200	
Conforming to standards	Machine assemblies IEC 204-1, EN 60 204-1, NF C 79-130	
Ambient air temperature	Operation : - 25 ~ 70 °C Storage: - 40 ~ 70 °C	
Resistance to vibration	25 gn(10 - 500Hz) conforming to IEC 68-2-6	
Resistance to shock	50 gn conforming to IEC 68-2-27	
Electric shock protection	Class I conforming to IEC 536 and NF C 20-030	
Degree of protection	IP66	
Mechanical durability	2 million Op. cycles	
Torque	for tripping	0.5 Nm
	for positive opening	0.75 Nm
Maximum actuation speed	1.5m/s	
Rated operational characteristics	AC-15 ; A300 or Ue = 240 V, Ie = 3 A DC-13 ; Q150 or Ue = 215 V, Ie = 0.55 A) conforming to IEC 947-5-1 Appendix A,	
Rated insulation voltage	Ui = 600 V degree of pollution 3 conforming to IEC 97-1, EN60947-5-1	
Rated impulse withstand voltage	U imp = 6 kV conforming to IEC 947-1, IEC 664	
Positive operation	N/C contacts with positive opening operation conforming to IEC 947-5-1 , EN 60 947-5-1	
Short-circuit protection	10A cartridge fuse type gG(gl)	
Conduits	1/2NPT, M20X1.5, PG13.5	
Cablling	Screw and captive cable clamp terminals. Clamping capacity, min.: 1 x 0.34 mm ² , max.: 2 x 1.5 mm ² or 1 x 2.5 mm ² depending on contact Screw tightening torque max.:1.2Nm	

SNB(P) Series Limit Switches for Hoisting and Mechanical Handling

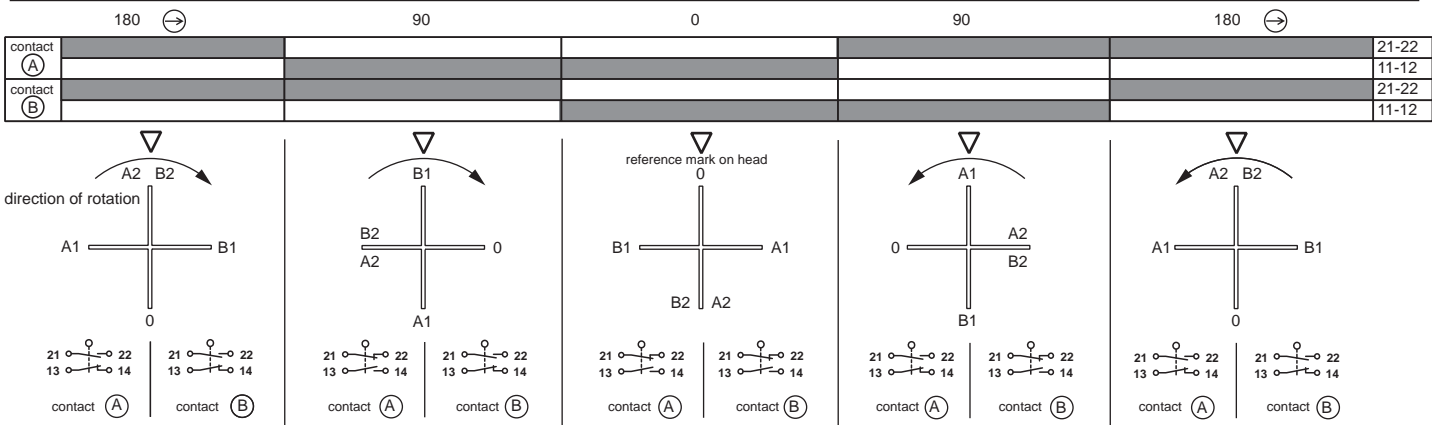
Switch Operation for SNB(P)-27-SL2-N: Two-speed



Switch Operation for SNB(P)-27-SL-T: Bypass



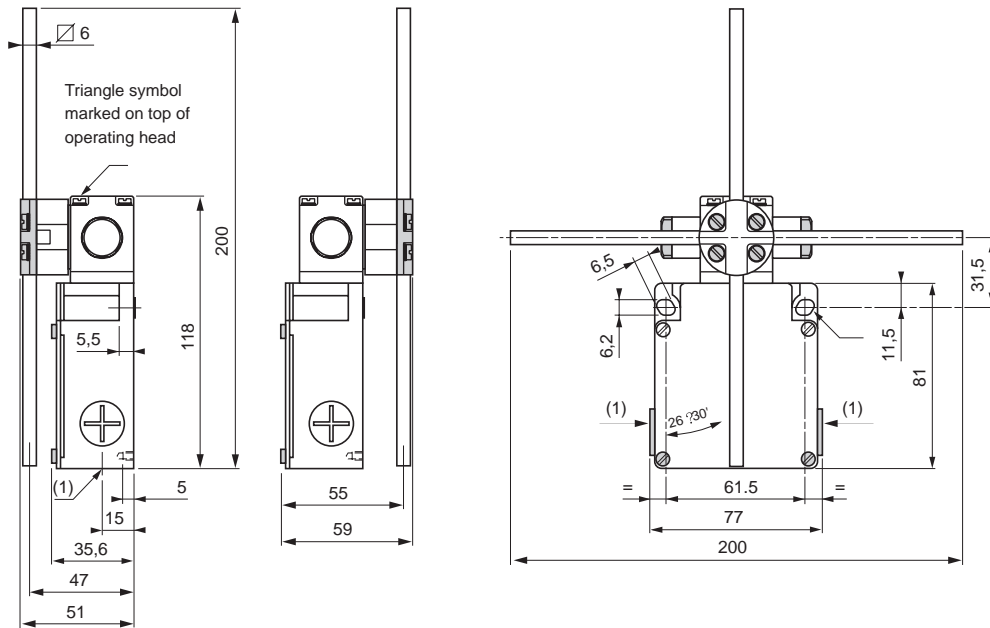
Switch Operation for SNB(P)-27-SL-N: Single-speed



SNB(P) Series Limit Switches for Hoisting and Mechanical Handling

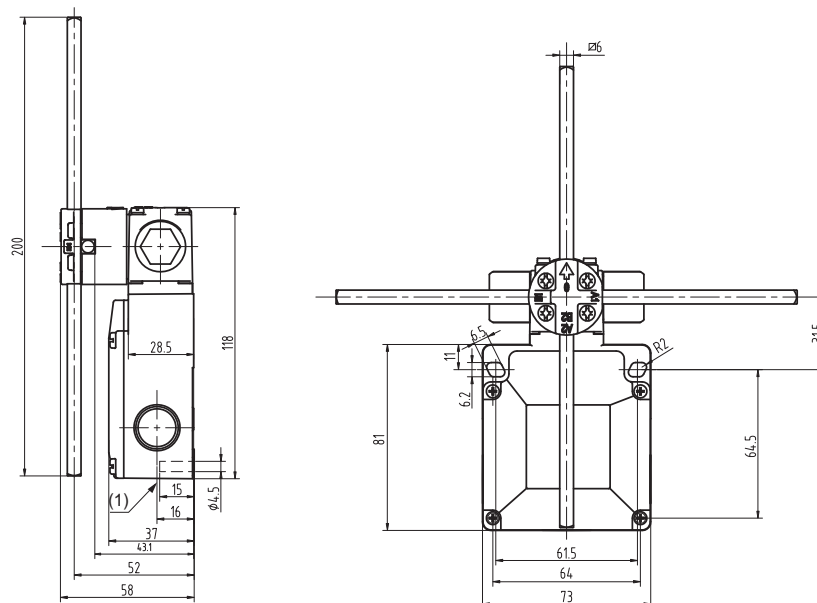
Dimensions (mm)

SNB-27



- (1) 1/2NPT for SNB-27-_-A
- M20X1.5 for SNB-27-_-C
- PG13.5 for SNB-27-_-B

SNBP-27



- (1) 1/2NPT for SNBP-27-_-A
- M20X1.5 for SNBP-27-_-C
- PG13.5 for SNBP-27-_-B

CABLE PULL SAFETY SWITCHES (Two - Way Actuation)

2-way cable pull switches are designed to avert hazards (dangerous situation) at the earliest possible moment, or to reduce existing risks which could cause injury to persons or damage to either machines or to work in progress. The switch works in two directions. 1) tripped in the event of the trip wire breaking; 2) tripped with the trip wire is pulled.

Application examples: woodworking machines, cutting presses, conveyor systems, transfer machines, printing and textile machines, rolling mills etc.

Features

- Positive Opening of NC contacts
- Screw terminals with self-lifting clamps for easy wiring
- Latch/Reset function
- Galvanically separated contacts
- Custom pull force for different applications

Specifications

Operating Speed	0.05mm-0.5m/sec
Operating Frequency	Mechanical: 120ops/min Electrical: 30 ops/min
Insulation Resistance	>100MΩ@500V DC
Contact Resistance	<25mΩ (initial value)
Rated Current/Voltage	10A/600V AC (EN60947-5-1) AC15 A600 / DC13 Q300
Dielectric Strength	1000VAC for 1 min between current carrying parts 2500VAC for 1 min between non-current carrying parts
Service Life	Mechanically 1.0 x10 ⁷ (operations) Electrically 5 x10 ⁵ (operations)
Operating Temperature	-25~+80°C (-13~176°F)
Humidity	< 95%
Degree of Protection	IP67

Selection Guide:

SN6271

Body Style

- SND4170 Small plastic, 1 conduit
- SND2170 plastic, 2 conduits
- SND6170 Large plastic, 1 conduit
- SN6271 Large metal, 1 conduit

SL

Contact Block

- SL: 1NO/1NC Slow Action changeover
- SL1: 1NO/1NC Slow Action Overlapping
- SL2: 2NC Slow Action
- SL7: 2NC/1NO Slow Action Overlapping

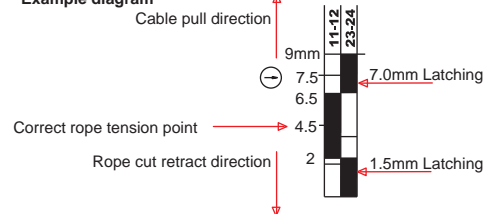
C

Conduits

- A: 1/2"NPT
- B: PG13.5
- C: M20
- D: M16
- B1: PG11

LR

Example diagram

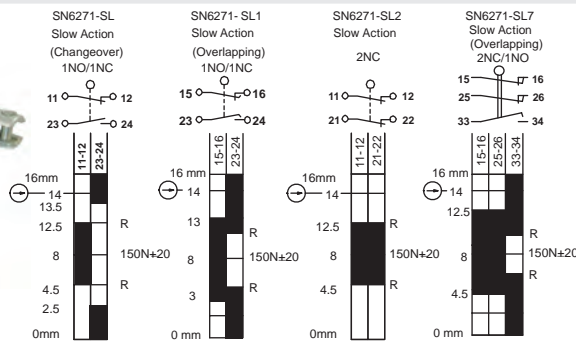


Explanation of Travel Diagram

Definitions of Operating Characteristics

OF Operating Force	PT Pretravel	
RF Releasing Force	MD Movement Differential	
OT Overtravel	OP Operating Position	ON OFF
TT Total Travel	PO Travel to Positive Opening	

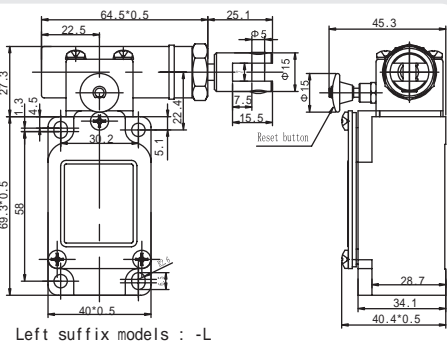
SN6271



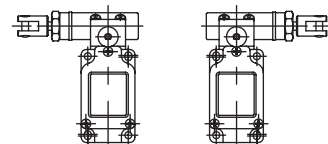
Order Code

Contact block

SN6271-SL-R	SL	⊕	slow action	1NO+1NC	BBM
SN6271-SL1-R	SL1	⊕	slow action	1NO+1NC	MBB
SN6271-SL2-R	SL2	⊕	slow action	2NC	
SN6271-SL7-R	SL7	⊕	slow action	2NC+1NO	

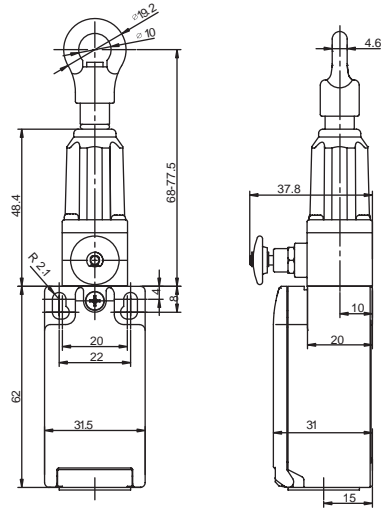
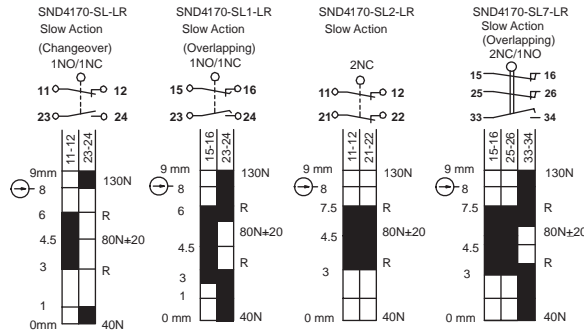


Left suffix models : -L



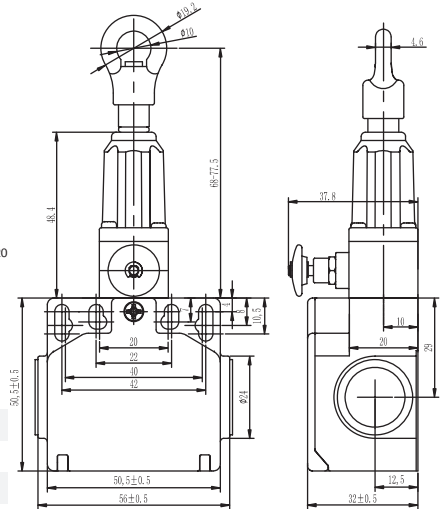
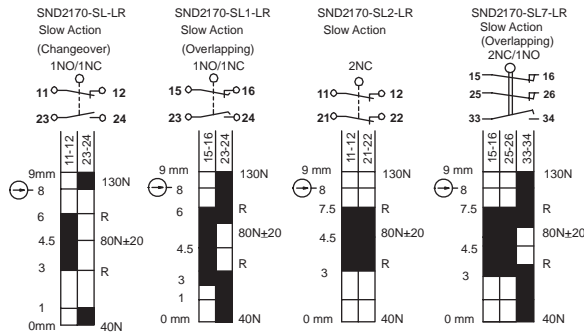
CABLE PULL SAFETY SWITCHES (Two - Way Actuation)

SND4170-LR



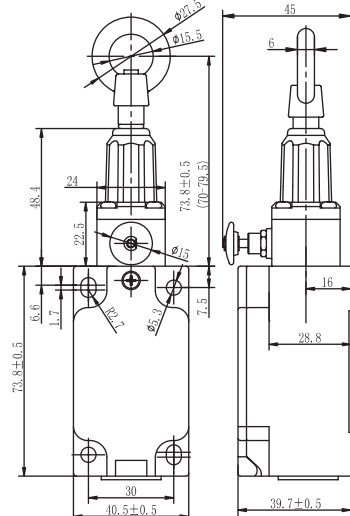
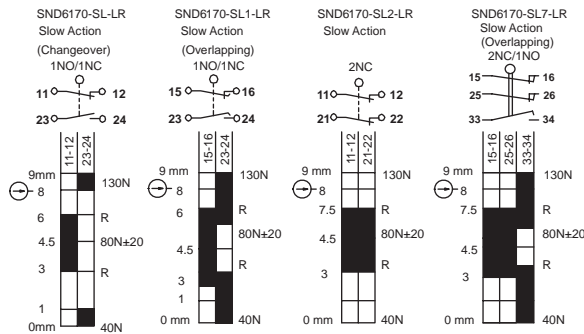
Order Code	Contact block			
SND4170-SL-LR	SL		slow action	1NO+1NC BBM
SND4170-SL1-LR	SL1		slow action	1NO+1NC MBB
SND4170-SL2-LR	SL2		slow action	2NC
SND4170-SL7-LR	SL7		slow action	2NC+1NO

SND2170-LR



Order Code	Contact block			
SND2170-SL-LR	SL		slow action	1NO+1NC BBM
SND2170-SL1-LR	SL1		slow action	1NO+1NC MBB
SND2170-SL2-LR	SL2		slow action	2NC
SND2170-SL7-LR	SL7		slow action	2NC+1NO

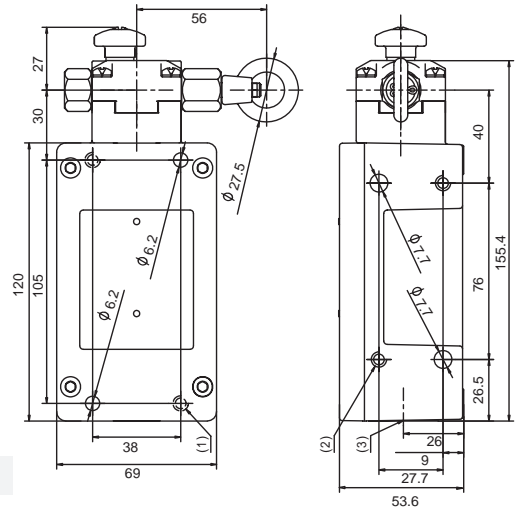
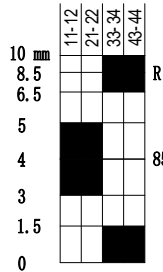
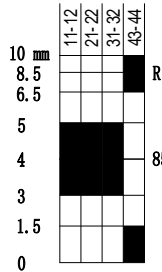
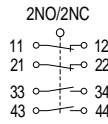
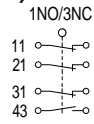
SND6170-LR



Order Code	Contact block			
SND6170-SL-LR	SL		slow action	1NO+1NC BBM
SND6170-SL1-LR	SL1		slow action	1NO+1NC MBB
SND6170-SL2-LR	SL2		slow action	2NC
SND6170-SL7-LR	SL7		slow action	2NC+1NO

CABLE PULL SAFETY SWITCHES (Two - Way Actuation)

HES-7A-70(Explosion - Proof)

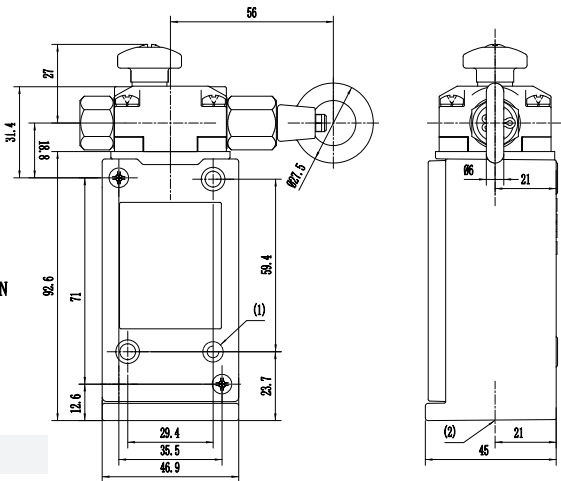
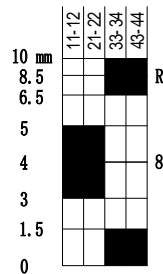
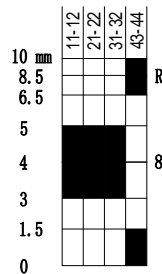
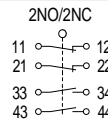
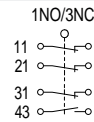


Order Code

HES-7A-70 (2NO/2NC)

HES-8A-70 (1NO/3NC)

HNS-7A-70

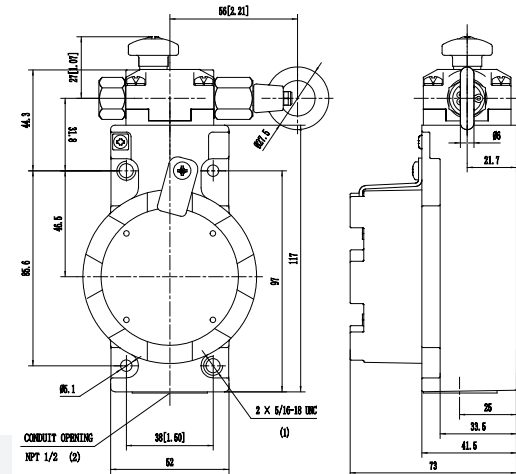
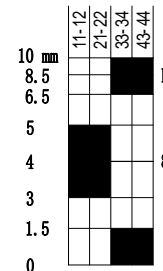
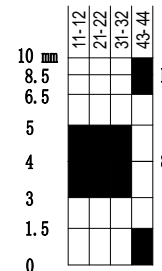
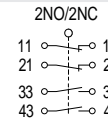
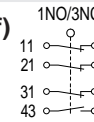


Order Code

HNS-7A-70 (2NO/2NC)

HNS-8A-70 (1NO/3NC)

HEX-7A-70(Explosion - Proof)



Order Code

HEX-7A-70 (2NO/2NC)

HEX-8A-70 (1NO/3NC)

* With Reset Order Code Suffix: -R

CP-7 SERIES CABLE PULL SAFETY SWITCHES

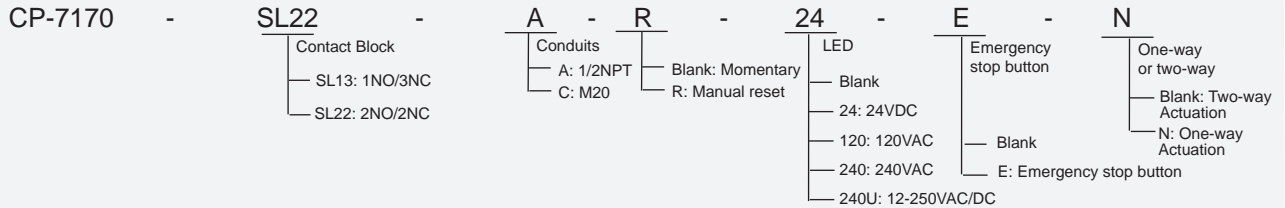
Features

- Max span 80 meter (262ft)
- Compatible to EN418 required with emergency stop button on the surface cover
- Works in two direction: tripped when the wire is pulled or breaking.
- Available in One-way actuation version
- Optional indicator light to show the state.
- Positive Opening of NC contacts
- Conform to EN60947-5-5, ISO13850, ISOTR 12100, IEC 60947-5-1, EN 418

Specifications

Operating Frequency	Mechanical: 120ops/min Electrical: 30 ops/min
Insulation Resistance	>100MΩ@500V DC
Contact Resistance	<25mΩ (initial value)
Rated Current/Voltage	Ith:10A 600V AC (EN60947-5-1) AC15 A600 / DC13 Q300
Dielectric Strength	1000VAC for 1 min between current carrying parts 2500VAC for 1 min between non-current carrying parts
Service Life	Mechanical: 1.0 x10 ⁶ (operations) Electrical: 5 x10 ⁵ (operations)
Operating Temperature	-25~+80°C (-13~176°F)
Humidity	< 95%RH
Degree of Protection	IP67

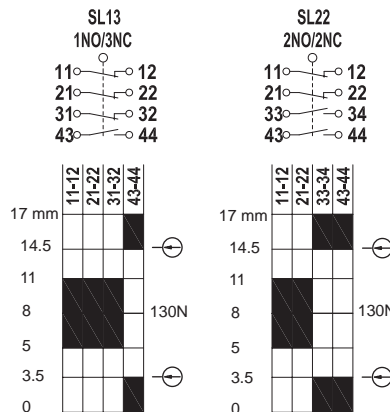
Selection Guide:



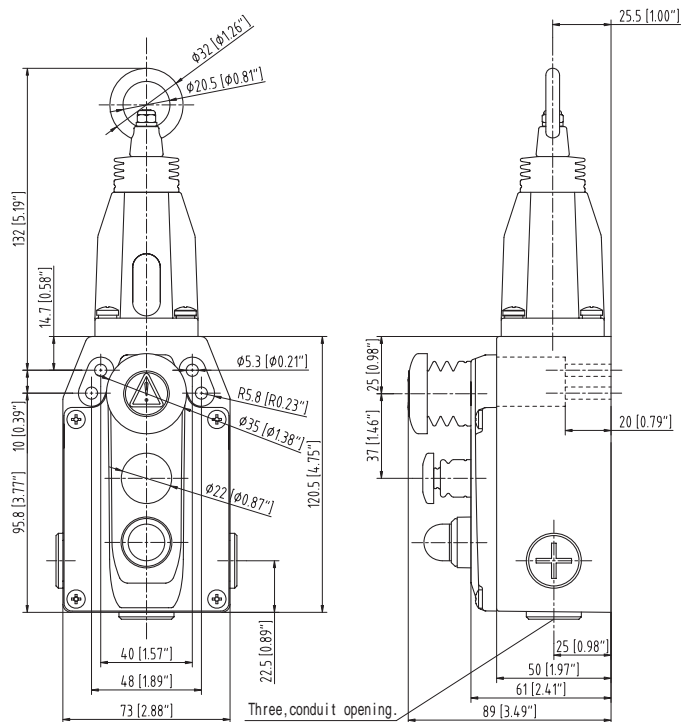
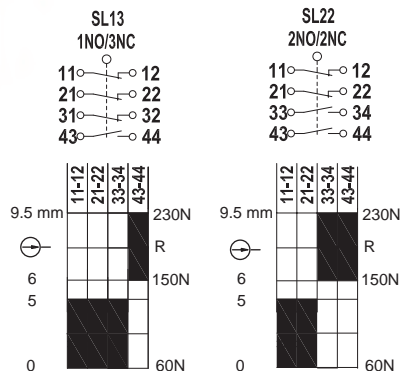
Please contact us for other contact block configuration

Two-way Actuation

CP-7170



One-way Actuation



CP-8 SERIES CABLE PULL SAFETY SWITCHES

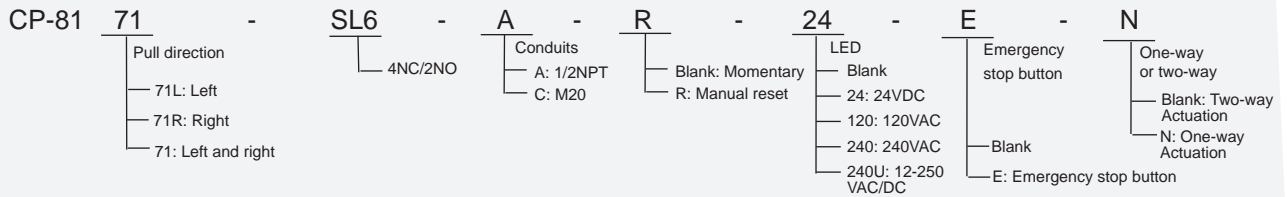
Features

- Max span 160m (524ft) for CP8171,80m(262ft) for CP8171R and CP8171L
- Compatible to EN418 required with emergency stop button on the surface cover
- Works in two direction:tripped when the wire is pulled or breaking.
- Optional indicator light to show the state.
- Positive Opening of NC contacts
- Conform to EN60947-5-5, ISO13850, ISOTR 12100, IEC 60947-5-1, EN 418

Specifications

Insulation Resistance	>100MΩ@500V DC
Contact Resistance	<25mΩ (initial value)
Rated Current/Voltage	Ith:10A 600V AC (EN60947-5-1) AC15 A600 / DC13 Q300
Dielectric Strength	1000VAC for 1 min between current carrying parts 2500VAC for 1 min between non-current carrying parts
Service Life	Mechanical: 1 x10 ⁶ (operations) Electrical: 5 x10 ⁵ (operations)
Operating Temperature	-25~+80°C (-13~176°F)
Humidity	< 95%
Degree of Protection	IP67

Selection Guide:



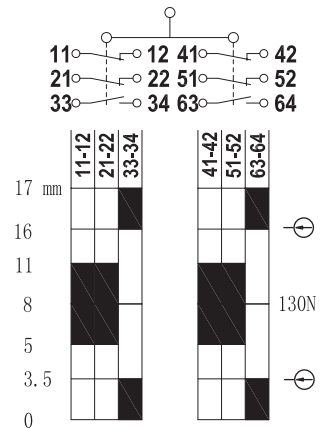
CP-8171



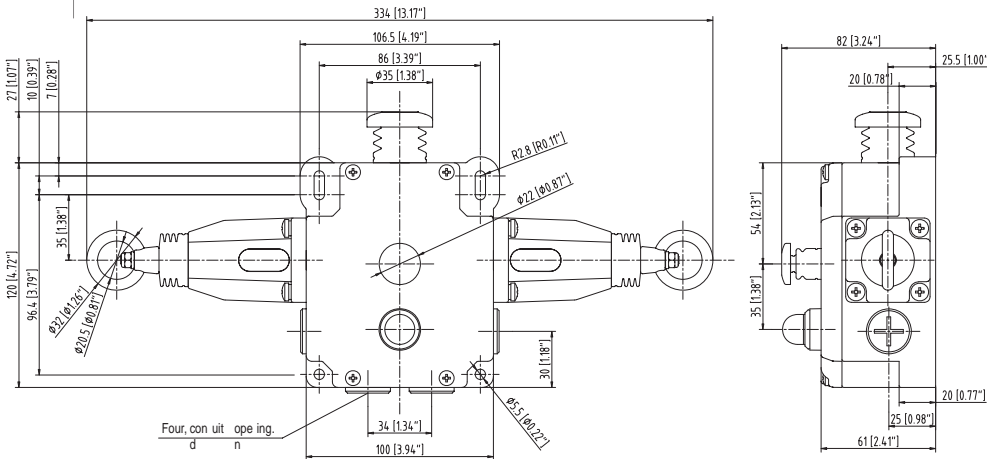
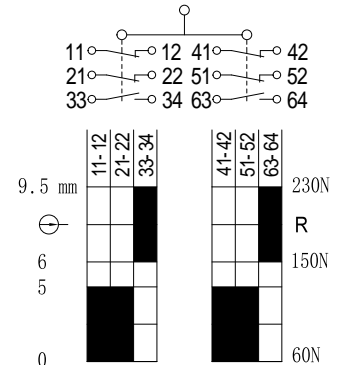
CP-8171L



Two-way Actuation SL6 2NO/4NC



One-way Actuation SL6 2NO/4NC



CABLE PULL SAFETY SWITCHES (One - Way Actuation)

Features

- Galvanically separated contacts
- Screw terminals with self-lifting clamps for easy wiring
- Positive Opening of NC contacts

Definitions of Operating Characteristics

- OF Operating Force
- RF Releasing Force
- OT Overtravel
- TT Total Travel
- PT Pretravel
- MD Movement Differential
- OP Operating Position
- PO Travel to Positive Opening



Specifications

Operating Speed	0.05mm-0.5m/sec
Operating Frequency	Mechanical: 120ops/min Electrical: 30 ops/min
Insulation Resistance	>100MΩ@500V DC
Contact Resistance	<25mΩ (initial value)
Rated Current/Voltage	10A/600V AC (EN60947-5-1) AC15 A600 / DC13 Q300
Dielectric Strength	1000VAC for 1 min between current carrying parts 2500VAC for 1 min between non-current carrying parts
Service Life	Mechanically 1 x 10 ⁷ (operations) Electrically 5 x 10 ⁵ (operations)
Operating Temperature	-25~+80°C (-13~176°F)
Humidity	< 95%
Degree of Protection	IP67

Selection Guide:

SN6170

- Body Style
 - SND4170 Small plastic, 1 conduit
 - SND2170 plastic, 2 conduits
 - SND6170 Large plastic, 1 conduit
 - SN4170 Small metal, 1 conduit
 - SN2170 Metal, 2 conduits
 - SN6170 Large metal, 1 conduit
 - SN6270 Large metal, 1 conduit

SL

- Contact Block
 - SL: 1NO/1NC Slow Action changeover
 - SL1: 1NO/1NC Slow Action Overlapping
 - SL2: 2NC Slow Action
 - SL7: 2NC/1NO Slow Action Overlapping

C

- Conduits
 - A: 1/2"NPT
 - B: PG13.5
 - C: M20
 - D: M16
 - B1: PG11

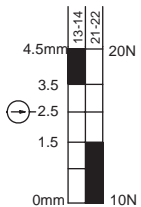
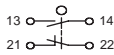
R

- Lock/Reset Function
 - Blank
 - R: with Reset Function

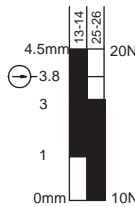
SND4170



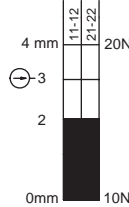
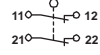
SND4170-SL Slow Action (Changeover)



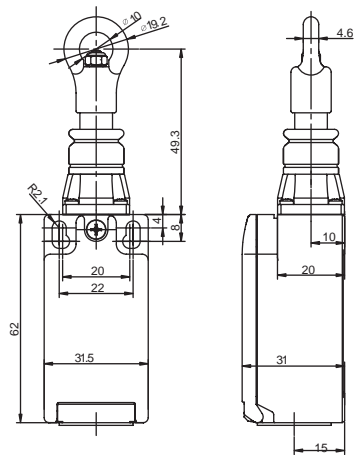
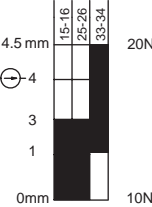
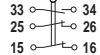
SND4170-SL1 Slow Action (Overlapping)



SND4170-SL2 Slow Action



SND4170-SL7 Slow Action (Overlapping)



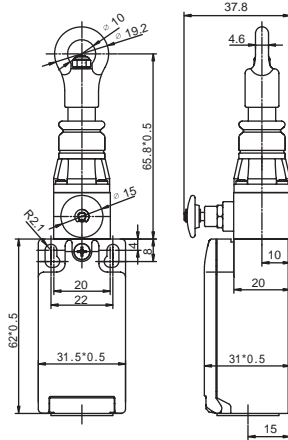
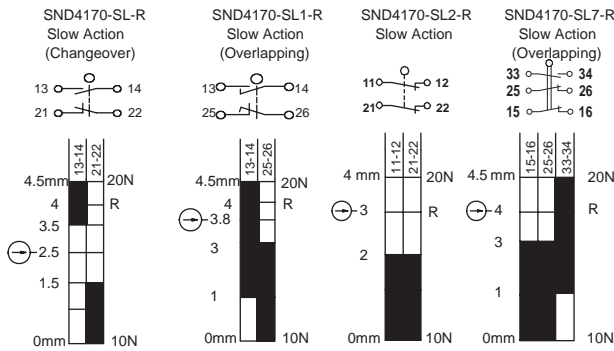
Order Code

Contact block

SND4170-SL- _	SL	⊕	slow action	1NO+1NC	BBM
SND4170-SL1- _	SL1	⊕	slow action	1NO+1NC	MBB
SND4170-SL2- _	SL2	⊕	slow action	2NC	
SND4170-SL7- _	SL7	⊕	slow action	2NC+1NO	

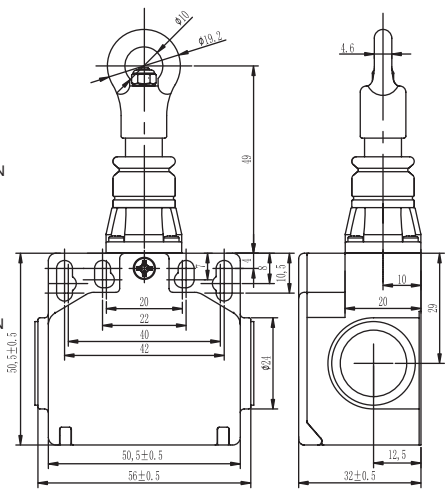
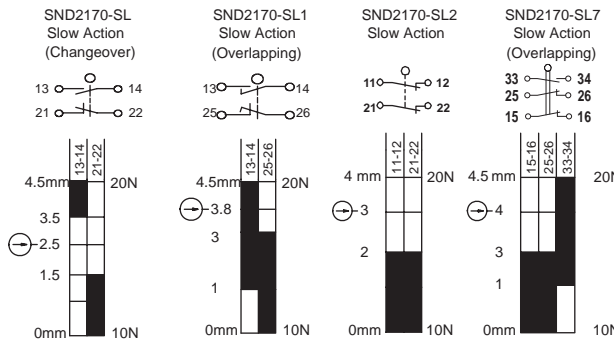
CABLE PULL SAFETY SWITCHES (One - Way Actuation)

SND4170-R



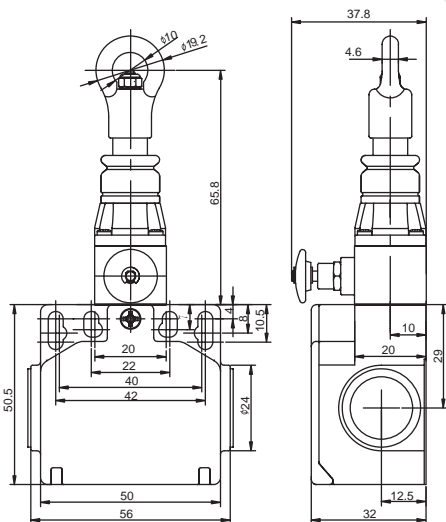
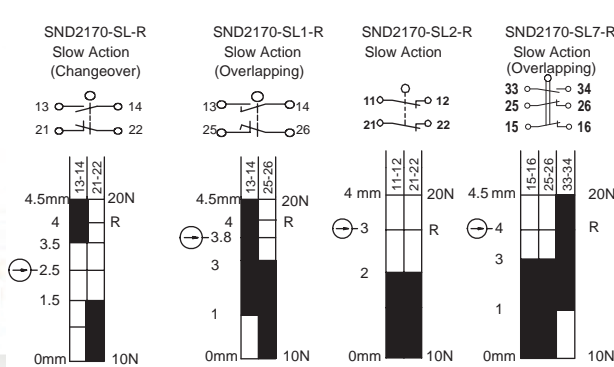
Order Code	Contact block	Configuration	Actuation	Terminal
SND4170-SL- _R	SL	⊕	slow action	1NO+1NC BBM
SND4170-SL1- _R	SL1	⊕	slow action	1NO+1NC MBB
SND4170-SL2- _R	SL2	⊕	slow action	2NC
SND4170-SL7- _R	SL7	⊕	slow action	2NC+1NO

SND2170



Order Code	Contact block	Configuration	Actuation	Terminal
SND2170-SL- _	SL	⊕	slow action	1NO+1NC BBM
SND2170-SL1- _	SL1	⊕	slow action	1NO+1NC MBB
SND2170-SL2- _	SL2	⊕	slow action	2NC
SND2170-SL7- _	SL7	⊕	slow action	2NC+1NO

SND2170-R



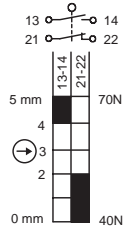
Order Code	Contact block	Configuration	Actuation	Terminal
SND2170-SL- _R	SL	⊕	slow action	1NO+1NC BBM
SND2170-SL1- _R	SL1	⊕	slow action	1NO+1NC MBB
SND2170-SL2- _R	SL2	⊕	slow action	2NC
SND2170-SL7- _R	SL7	⊕	slow action	2NC+1NO

CABLE PULL SAFETY SWITCHES (One - Way Actuation)

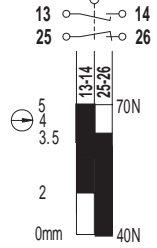
SND6170



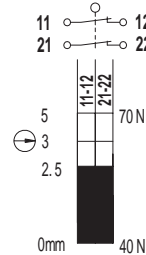
SND6170-SL
Slow Action
(Changeover)



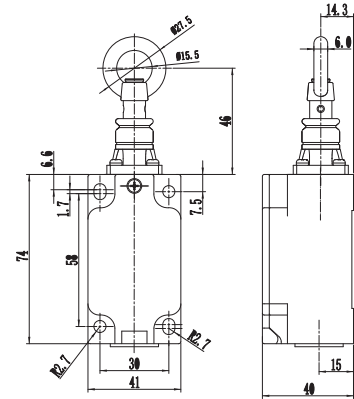
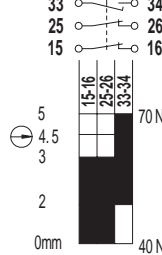
SND6170-SL1
Slow Action
(Overlapping)



SND6170-SL2
Slow Action



SND6170-SL7
Slow Action
(Overlapping)



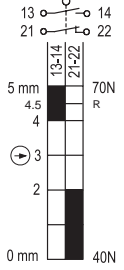
Order Code Contact block

SND6170-SL-	SL	↻	slow action	1NO+1NC	BBM
SND6170-SL1-	SL1	↻	slow action	1NO+1NC	MBB
SND6170-SL2-	SL2	↻	slow action	2NC	
SND6170-SL7-	SL7	↻	slow action	2NC+1NO	

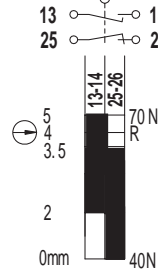
SND6170-R



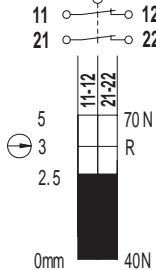
SND6170-SL-R
Slow Action
(Changeover)



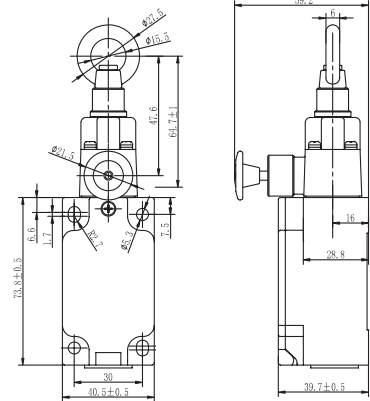
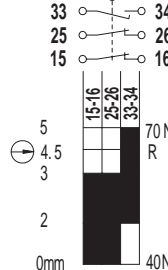
SND6170-SL1-R
Slow Action
(Overlapping)



SND6170-SL2-R
Slow Action



SND6170-SL7-R
Slow Action
(Overlapping)



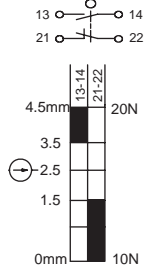
Order Code Contact block

SND6170-SL- _R	SL	↻	slow action	1NO+1NC	BBM
SND6170-SL1- _R	SL1	↻	slow action	1NO+1NC	MBB
SND6170-SL2- _R	SL2	↻	slow action	2NC	
SND6170-SL7- _R	SL7	↻	slow action	2NC+1NO	

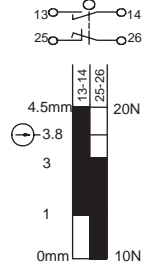
SN4170



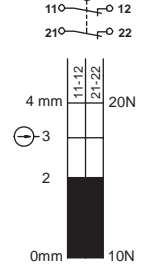
SN4170-SL
Slow Action
(Changeover)



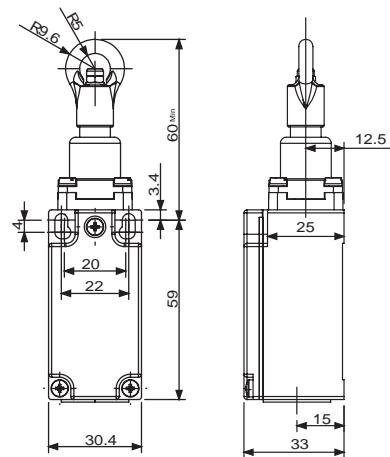
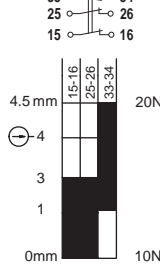
SN4170-SL1
Slow Action
(Overlapping)



SN4170-SL2
Slow Action



SN4170-SL7
Slow Action
(Overlapping)



Order Code Contact block

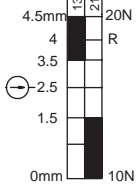
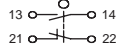
SN4170-SL-	SL	↻	slow action	1NO+1NC	BBM
SN4170-SL1-	SL1	↻	slow action	1NO+1NC	MBB
SN4170-SL2-	SL2	↻	slow action	2NC	
SN4170-SL7-	SL7	↻	slow action	2NC+1NO	

CABLE PULL SAFETY SWITCHES (One - Way Actuation)

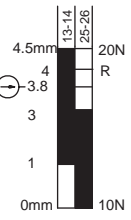
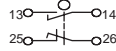
SN4170-R



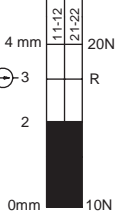
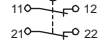
SN4170-SL-R
Slow Action
(Changeover)



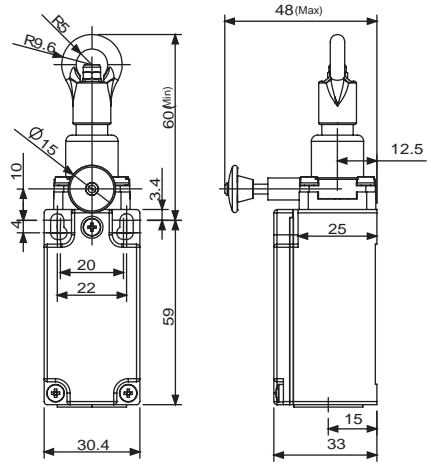
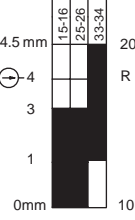
SN4170-SL1-R
Slow Action
(Overlapping)



SN4170-SL2-R
Slow Action



SN4170-SL7-R
Slow Action
(Overlapping)



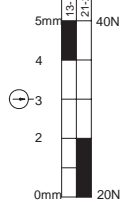
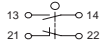
Order Code Contact block

SN4170-SL- _R	SL		slow action	1NO+1NC	BBM
SN4170-SL1- _R	SL1		slow action	1NO+1NC	MBB
SN4170-SL2- _R	SL2		slow action	2NC	
SN4170-SL7- R	SL7		slow action	2NC+1NO	

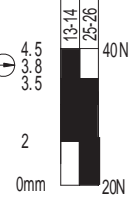
SN2170



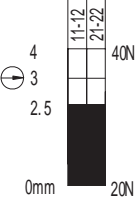
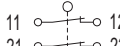
SN2170-SL
Slow Action
(Changeover)



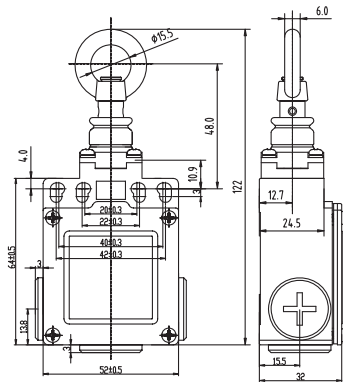
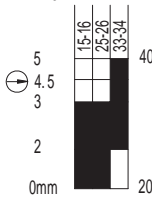
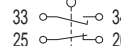
SN2170-SL1
Slow Action
(Overlapping)



SN2170-SL2
Slow Action



SN2170-SL7
Slow Action
(Overlapping)



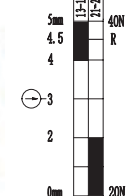
Order Code Contact block

SN2170-SL-	SL		slow action	1NO+1NC	BBM
SN2170-SL1-	SL1		slow action	1NO+1NC	MBB
SN2170-SL2-	SL2		slow action	2NC	
SN2170-SL7-	SL7		slow action	2NC+1NO	

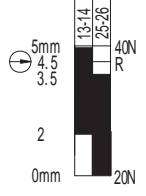
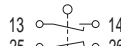
SN2170-R



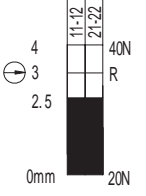
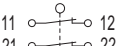
SN2170-SL-R
Slow Action
(Changeover)



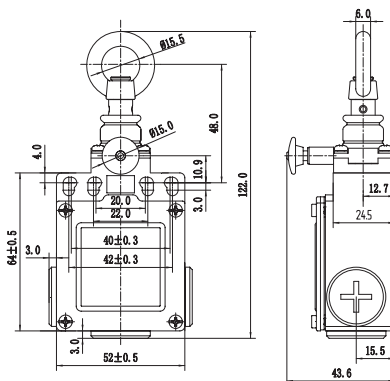
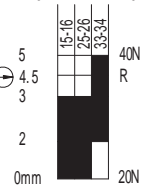
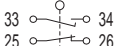
SN2170-SL1-R
Slow Action
(Overlapping)



SN2170-SL2-R
Slow Action



SN2170-SL7-R
Slow Action
(Overlapping)



Order Code Contact block

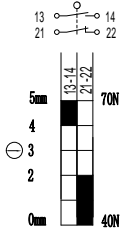
SN2170-SL- _R	SL		slow action	1NO+1NC	BBM
SN2170-SL1- _R	SL1		slow action	1NO+1NC	MBB
SN2170-SL2- _R	SL2		slow action	2NC	
SN2170-SL7- R	SL7		slow action	2NC+1NO	

CABLE PULL SAFETY SWITCHES (One - Way Actuation)

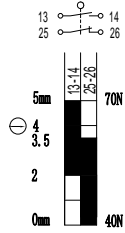
SN6170



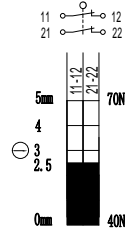
SN6170-SL
Slow Action
(Changeover)



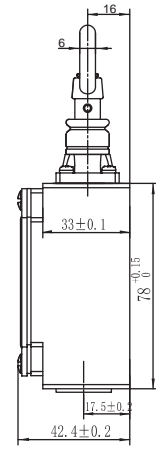
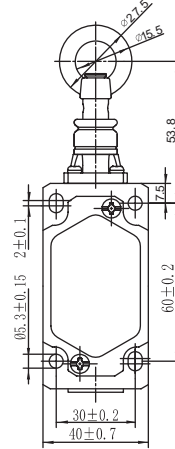
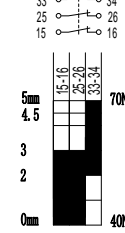
SN6170-SL1
Slow Action
(Overlapping)



SN6170-SL2
Slow Action



SN6170-SL7
Slow Action
(Overlapping)

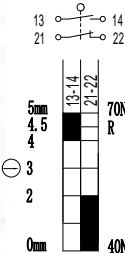


Order Code	Contact block			
SN6170-SL- _	SL		slow action	1NO+1NC BBM
SN6170-SL1- _	SL1		slow action	1NO+1NC MBB
SN6170-SL2- _	SL2		slow action	2NC
SN6170-SL7- _	SL7		slow action	2NC+1NO

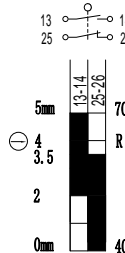
SN6170-R



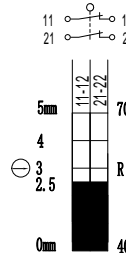
SN6170-SL-R
Slow Action
(Changeover)



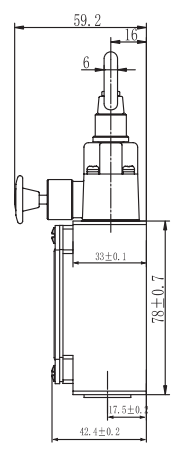
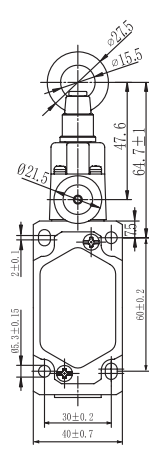
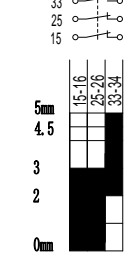
SN6170-SL1-R
Slow Action
(Overlapping)



SN6170-SL2-R
Slow Action

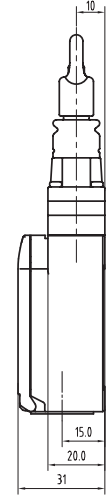
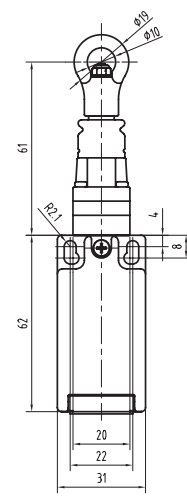
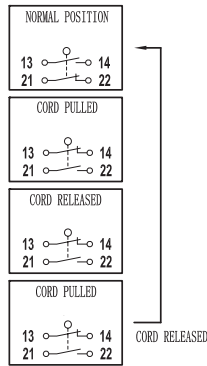


SN6170-SL7-R
Slow Action
(Overlapping)



Order Code	Contact block			
SN6170-SL- _R	SL		slow action	1NO+1NC BBM
SN6170-SL1- _R	SL1		slow action	1NO+1NC MBB
SN6170-SL2- _R	SL2		slow action	2NC
SN6170-SL7- _R	SL7		slow action	2NC+1NO

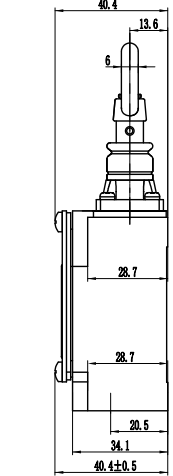
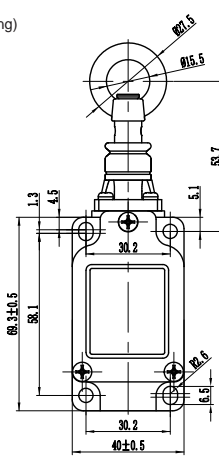
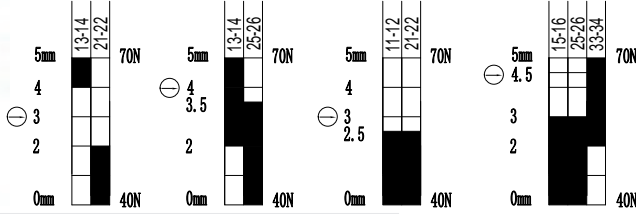
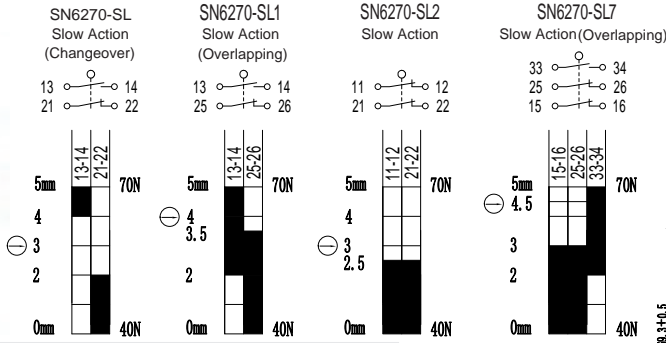
SND4170 M



Order Code	Contact block			
SND4170-SL- C M	SL		slow action	1NO+1NC BBM

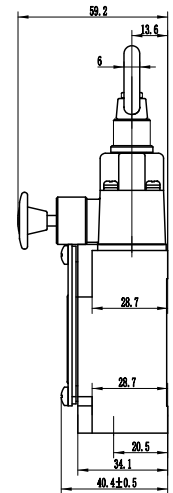
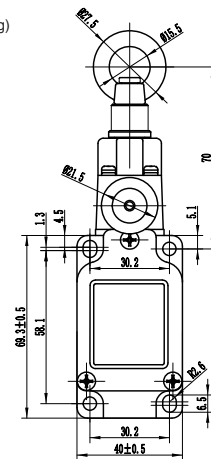
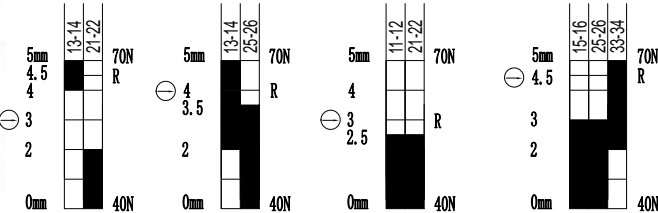
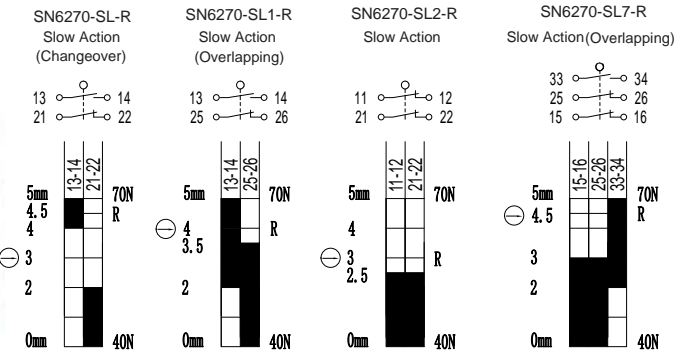
CABLE PULL SAFETY SWITCHES (One - Way Actuation)

SN6270



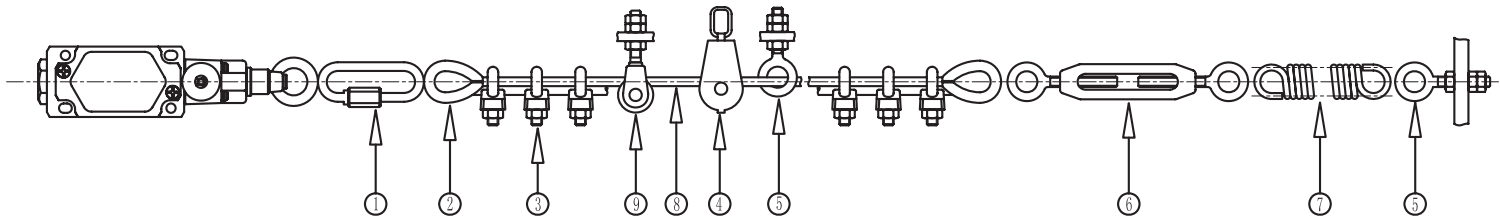
Order Code	Contact block			
SN6270-SL- _	SL		slow action	1NO+1NC BBM
SN6270-SL1- _	SL1		slow action	1NO+1NC MBB
SN6270-SL2- _	SL2		slow action	2NC
SN6270-SL7- _	SL7		slow action	2NC+1NO

SN6270-R



Order Code	Contact block			
SN6270-SL- _R	SL		slow action	1NO+1NC BBM
SN6270-SL1- _R	SL1		slow action	1NO+1NC MBB
SN6270-SL2- _R	SL2		slow action	2NC
SN6270-SL7- _R	SL7		slow action	2NC+1NO

CABLE PULL SAFETY SWITCHES ACCESSORIES



① CPA-01



② CPA-02
Wire rope thimble (rope eye)

③ CPA-03
Cable/rope clamp



④ CPA-04 Pulley

⑤ CPA-05 Stay bolt



⑥ CPA-06
Turnbuckle for adjusting cable tension

⑦ CPA-07 Spring

⑧ CPA-08

*5mm Zinc-plated steel rope coated with PVC

- CPA-08-010 (10 m rope)
- CPA-08-020 (20 m rope)
- CPA-08-035 (35 m rope)
- CPA-08-100 (100 m rope)



⑨ CPA-09

INTERLOCKING SAFETY SWITCHES

Features

- Galvanically separated contacts
- Screw terminals with self-lifting clamps for easy wiring
- Positive Opening of NC contacts
- 4 x 90° actuator positions
- Horizontal or Vertical Operation

Definitions of Operating Characteristics

- OF Operating Force
- RF Releasing Force
- OT Overtravel
- TT Total Travel
- PT Pretravel
- MD Movement Differential
- OP Operating Position
- PO Travel to Positive Opening



Specifications

Operating Speed	0.05mm-0.5m/s
Operating Frequency	Mechanical: 120ops/min Electrical: 30 ops/min
Insulation Resistance	>100MΩ@500V DC
Contact Resistance	<25mΩ (initial value)
Rated Current/Voltage	10A/600V AC (EN60947-5-1) AC15 A600 / DC13 Q300
Dielectric Strength	1000VAC for 1 min between current carrying parts 2500VAC for 1 min between non-current carrying parts
Service Life	Mechanically 1.0 x 10 ⁷ (operations) Electrically 5 x 10 ⁵ (operations)
Operating Temperature	-25~+80°C (-13~176°F)
Humidity	< 95%
Degree of Protection	IP67/ IP66(SMN4)

Plastic-Bodied Interlock Safety Switch

Selection Guide

SND2191

- Body Type
- SND2191 Mini Plastic Body, 2 Conduit
- SMN4191 Plastic Body, 1 Conduit
- SND4191 Plastic Body, 1 Conduit
- SND6191 Large Plastic Body, 1 Conduit
- SN6191 Metal Body, 1 Conduit
- SN6291 Metal Body, 1 Conduit
- SN6391 Metal Body, 3 Conduit

SL

- SL: 1NO/1NC Slow Action Changeover
- SL2: 2NC Slow Action
- SL7: 2NC/1NO Slow Action Overlapping

C

- Conduit
- A: 1/2"NPT
- B: PG13.5
- C: M20
- D: M16
- B1: PG11

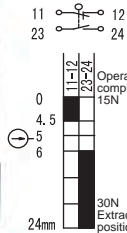
SND2191



SND2191-SL

Slow Action (Changeover)

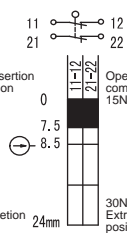
1NO/1NC



SND2191-SL2

Slow Action

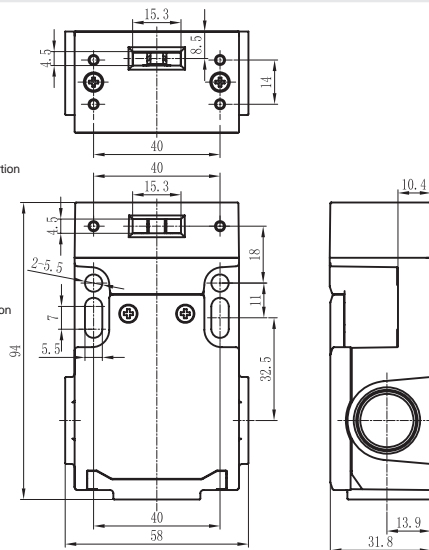
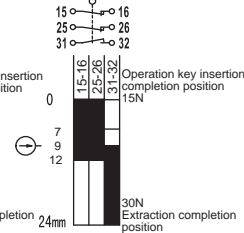
2NC



SND2191-SL7

Slow Action (Overlapping)

2NC/1NO



Order Code

Contact block

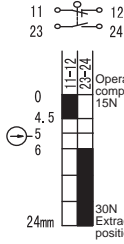
SND2191-SL- _	SL		slow action	1NO+1NC	BBM
SND2191-SL2- _	SL2		slow action	2NC	
SND2191-SL7- _	SL7		slow action	2NC/1NO	MBB

INTERLOCKING SAFETY SWITCHES

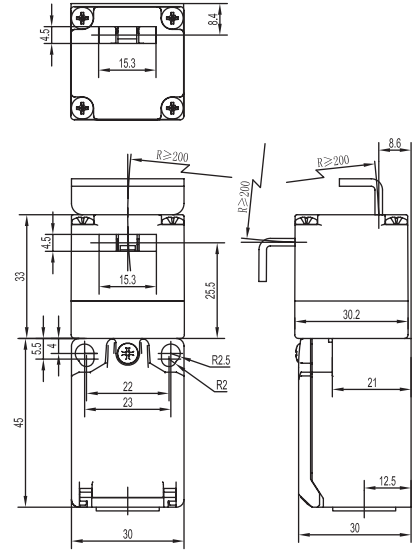
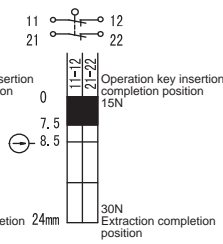
SMN4191



SMN4191-SL
slow action
(Changeover)
1NO/1NC



SMN4191-SL2
slow action
(Overlapping)
2NC



Order Code

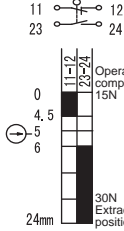
Contact block

SMN4191-SL- _	SL		slow action	1NO+1NC	BBM
SMN4191-SL2- _	SL2		slow action	2NC	

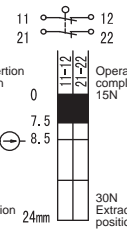
SND4191



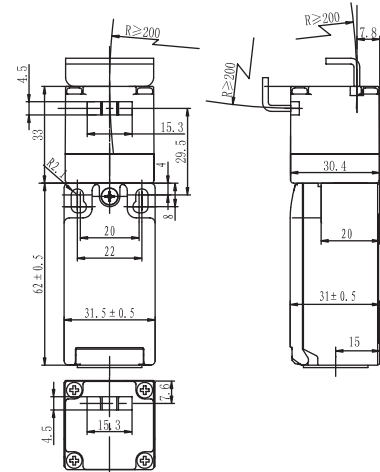
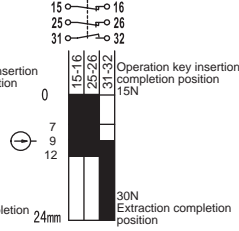
SND4191-SL
Slow Action
(Changeover)
1NO/1NC



SND4191-SL2
Slow Action
2NC



SND4191-SL7
Slow Action
(Overlapping)
2NC/1NO



Order Code

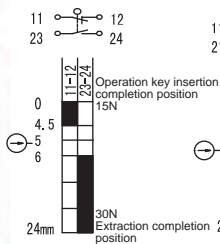
Contact block

SND4191-SL- _	SL		slow action	1NO+1NC	BBM
SND4191-SL2- _	SL2		slow action	2NC	
SND4191-SL7- _	SL7		slow action	2NC/1NO	MBB

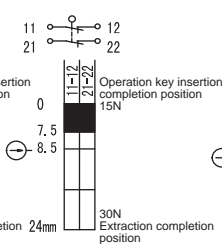
SND6191



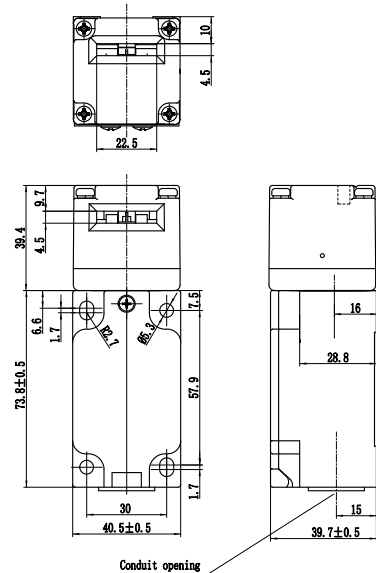
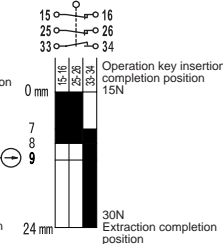
SND6191-SL
slow action
(Changeover)
1NO/1NC



SND6191-SL2
slow action
2NC



SND6191-SL7
slow action
(Overlapping)
2NC/1NO



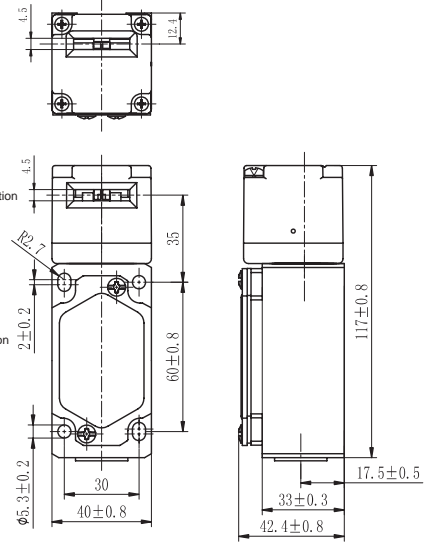
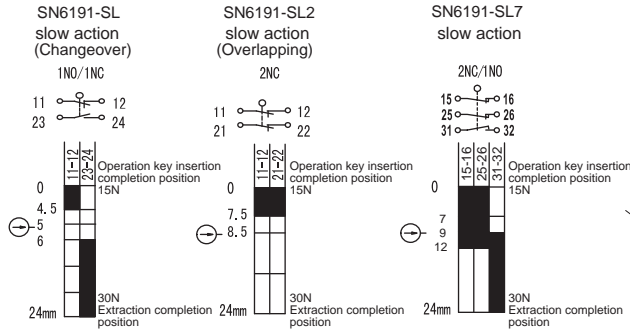
Order Code

Contact block

SND6191-SL- _	SL		slow action	1NO+1NC	BBM
SND6191-SL2- _	SL2		slow action	2NC	
SND6191-SL7- _	SL7		slow action	2NC/1NO	

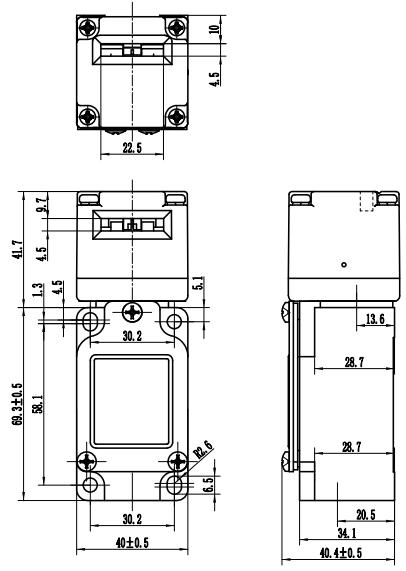
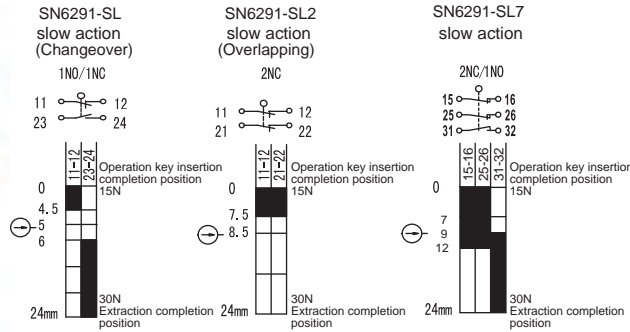
INTERLOCKING SAFETY SWITCHES

SN6191 Metal Enclosure, Metal Head



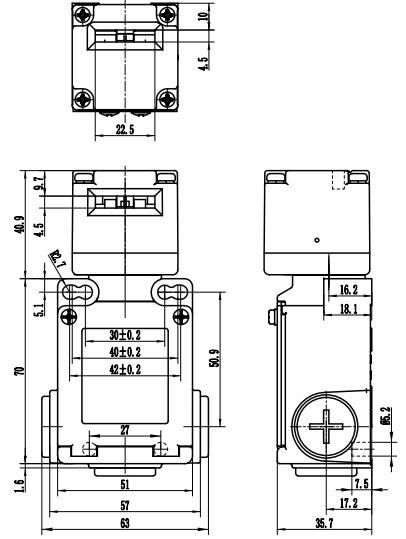
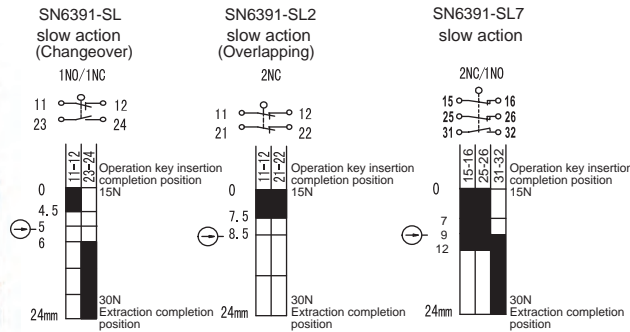
Order Code	Contact block	
SN6191-SL- _	SL	slow action 1NO+1NC BBM
SN6191-SL2- _	SL2	slow action 2NC
SN6191-SL7- _	SL7	slow action 2NC/1NO

SN6291 Metal Enclosure, Metal Head



Order Code	Contact block	
SN6291-SL- _	SL	slow action 1NO+1NC BBM
SN6291-SL2- _	SL2	slow action 2NC
SN6291-SL7- _	SL7	slow action 2NC/1NO

SN6391 Metal Enclosure, Metal Head



Order Code	Contact block	
SN6391-SL- _	SL	slow action 1NO+1NC BBM
SN6391-SL2- _	SL2	slow action 2NC
SN6391-SL7- _	SL7	slow action 2NC/1NO

Compact Safety Interlock Switches (Modular Design, Plastic Body, IP67) SM31N Series

Specification

Operating Frequency	Mechanical: 120ops/min Electrical: 30 ops/min
Insulation Resistance	>100MΩ@500V DC
Contact Resistance	<25mΩ (initial value)
Rated Voltage	300V AC (EN60947-5-1)
Rated Thermal Current	5A
Electrical Rating	AC15 B300 DC13 R300
Dielectric Strength	1000VAC for 1 min between current carrying parts 2500VAC for 1 min between non-current carrying parts
Operating Temperature	-25~+85°C without formation of ice
Humidity	< 95%
Degree of Protection	IP67

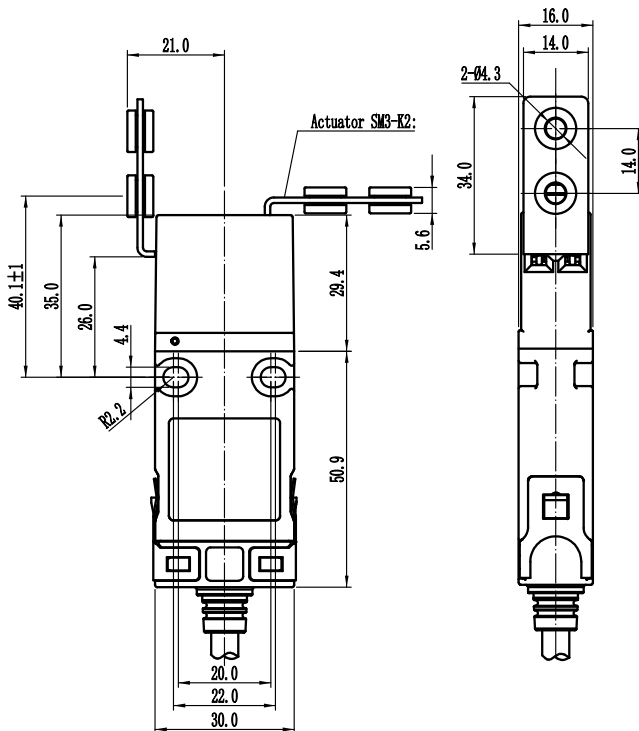


Selection Guide:

SM31N-S- 11 - 91 - A2

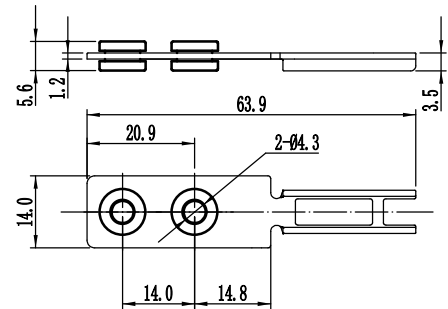
11	1NO/1NC	A2	side exit 2 meter cable
12	1NO/2NC	B2	bottom exit 2 meter cable
02	2NC		
22	2NO/2NC		

Dimensions (mm)

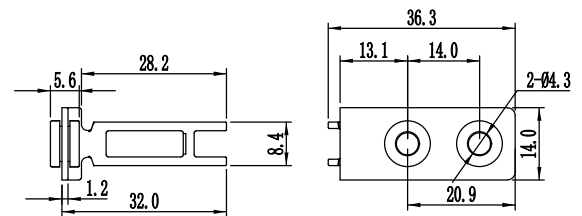


(-B: Cable Exit from Bottom)

SM3-K1



SM3-K2



(-A: Cable Exit from Side)

SND4121 SERIES (SINGLE CONDUIT ENTRY)

Features

- Glass fiber reinforced plastic body
- Easily interchangeable contact block
- Galvanically separated contacts
- Screw terminals with self-lifting clamps for easy wiring
- Positive opening of NC contacts
- 4 x 90° actuator positions
- Cable entry available: M20, PG13.5 and 1/2"NPT
- Conform to EN 50047 standard

Definitions of Operating Characteristics

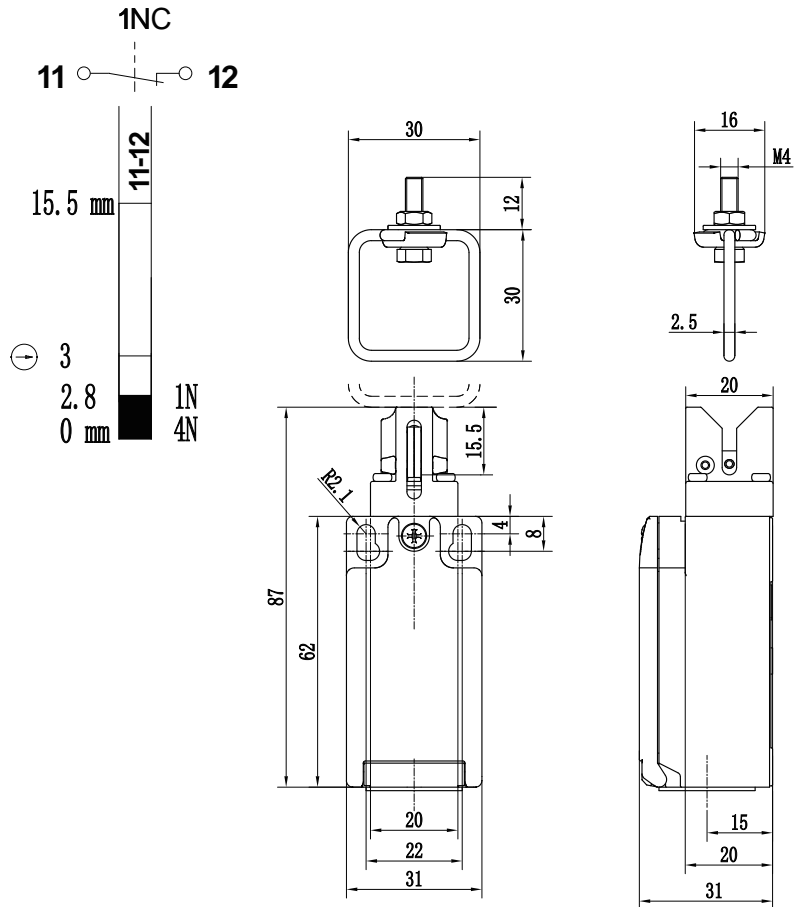
- OF Operating Force
- RF Releasing Force
- OT Overtravel
- TT Total Travel
- PT Pretravel
- MD Movement Differential
- OP Operating Position
- PO Travel to Positive Opening



Specifications

Operating Speed	0.05mm-2m/sec
Operating Frequency	Mechanical: 120ops/min Electrical: 30 ops/min
Insulation Resistance	>100MΩ@500V DC
Contact Resistance	<25mΩ (initial value)
Rated Current/Voltage	10A/600V AC (EN60947-5-1) AC15 A600 / DC13 Q300
Dielectric Strength	1000VAC for 1 min between current carrying parts 2500VAC for 1 min between non-current carrying parts
Service Life	Mechanically 1 x 10 ⁷ (operations) Electrically 5 x 10 ⁵ (operations)
Operating Temperature	-25~+80°C (-13~176°F) with no icing
Humidity	< 95%
Weight	50-100g
Degree of Protection	IP67

SND4212-SL-



Multi-Entry Trapped Key-Operated Safety Interlock Switch SS6/SSD6 SERIES

DESCRIPTION

SUNS SS/SSD6191 trapped key safety interlock switch is designed for holding a door or gate closed while a hazard still exists. This is particularly important where there is momentum in the machine. In other words, even when the machine is signaled to stop, parts of the machine are still moving. This could pose an injury risk if the access gate or door is not held closed.

Features

- Robust zinc die cast head assembly with glass fiber reinforced plastic or zinc die cast body
- Three solenoids voltages: 24Vac/dc, 120Vac and 240Vac
- Power-to-lock or power-to-unlock types for key trap (2500N holding force)
- Flexible switching arrangement
- 24 V, 110 Vac, and 230 Vac coil voltages
- Override mechanism in cover
- Head may be rotated into 4 different positions
- Three conduit openings (knock-out style)
- Switch position provides status
- Choice of different contact blocks
- Indicators for switch and solenoid status (optional)
- Positive Opening of NC contacts
- Cable entry available: M20, and 1/2"NPT
- Approval: CE, cULus

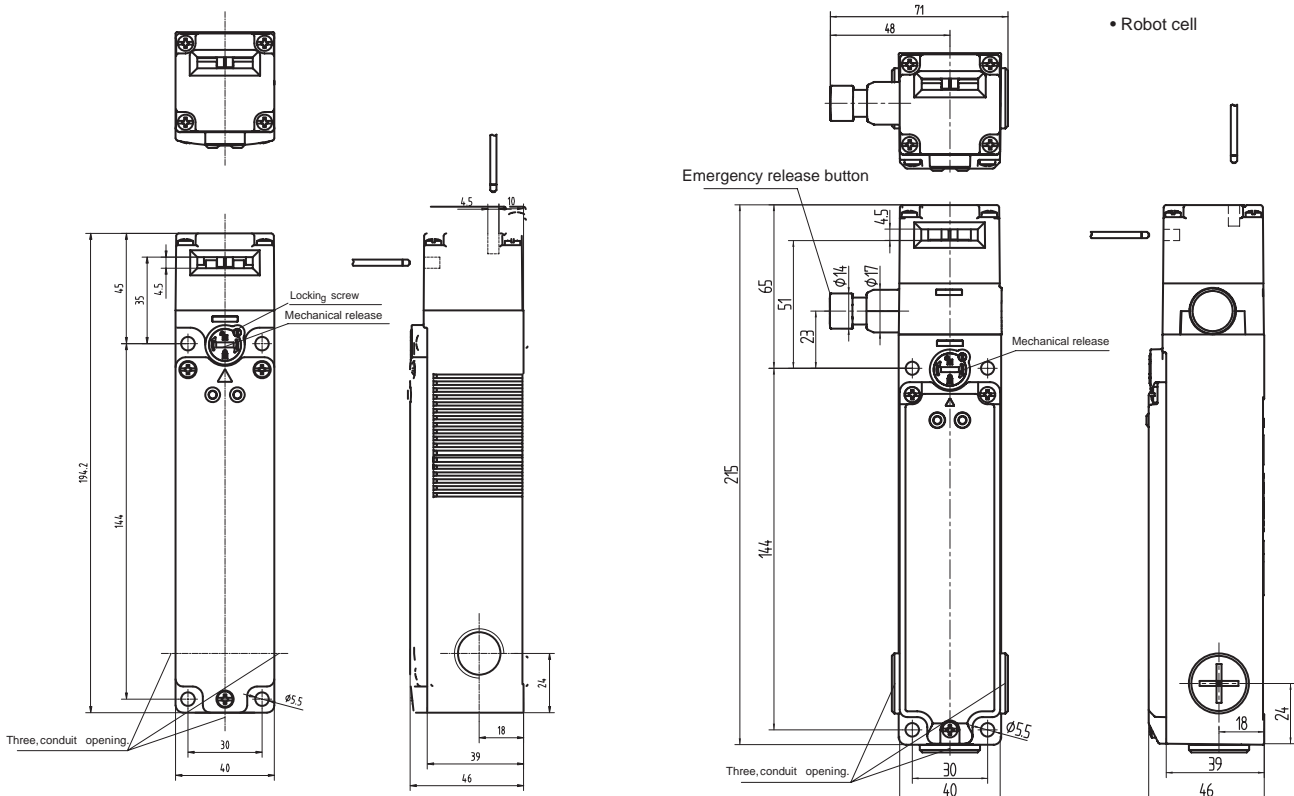
BENEFITS

- Product may be applied to most applications worldwide
- Tough, cost-effective, double-insulated enclosure
- Choice of key trapping methodology
- Four contacts that can be arranged in any configuration
- Multiple voltages provide for every geography
- Has a method to open door (in case of power loss, etc.)
- One part number may be used for multiple applications
- Flexible wiring options
- Can diagnose status of gate/door (gate/door closed and locked, gate/door closed and unlocked, gate/door open)



POTENTIAL APPLICATIONS

- Woodworking machinery
- Printing/paper finishing equipment
- Plastic molding equipment
- Packaging machinery
- Bailing
- Pumping equipment
- Semiconductor manufacturing equipment
- Packaging wrapping
- Specialty equipment
- Machine tool
- Robot cell



Multi-Entry Trapped Key-Operated Safety Interlock Switch SS6/SSD6 SERIES

SPECIFICATIONS

Designation and Utilization Category		Rated Operational Current Ie (A) at Rated Operational Voltage Ue (V)					
		24Vdc	125Vdc	250Vdc	120Vac	240Vac	600Vac
AC15	A600	-	-	-	6A	3A	1.2A
DC13	Q300	4A	0.55A	0.27A	-	-	-

Rated thermal current (Ith)	10A
Sealing	SSD6191 IP65; NEMA 1, 4, 12, 13 SS6191 IP67; NEMA 1, 4, 6, 12, 13
Rated impulse withstand (Uimp)	2500 V
Pollution degree	3 (macro-environment, installation environment)
Rated insulation voltage (Ui)	600 V
Operating temperature range	-25 °C to 50 °C [-13 °F to 122 °F]
Storage temperature range	-40 °C to 85 °C [-40 °F to 185 °F]
Short-circuit protective device (type/maximum rating)	Class J fuse (10 A/600 Vac)
Expected mechanical life	1,000,000 operations
Conditional short-circuit current	1000 A
Solenoid operating voltage and power	24 Vac: +10 %, -15 %, 4 W 240 Vac: +10 %, -15 %, 9 W 120 Vac: +10 %, -15 %, 8 W 48 Vdc: +10 %, -20 %, 7 W

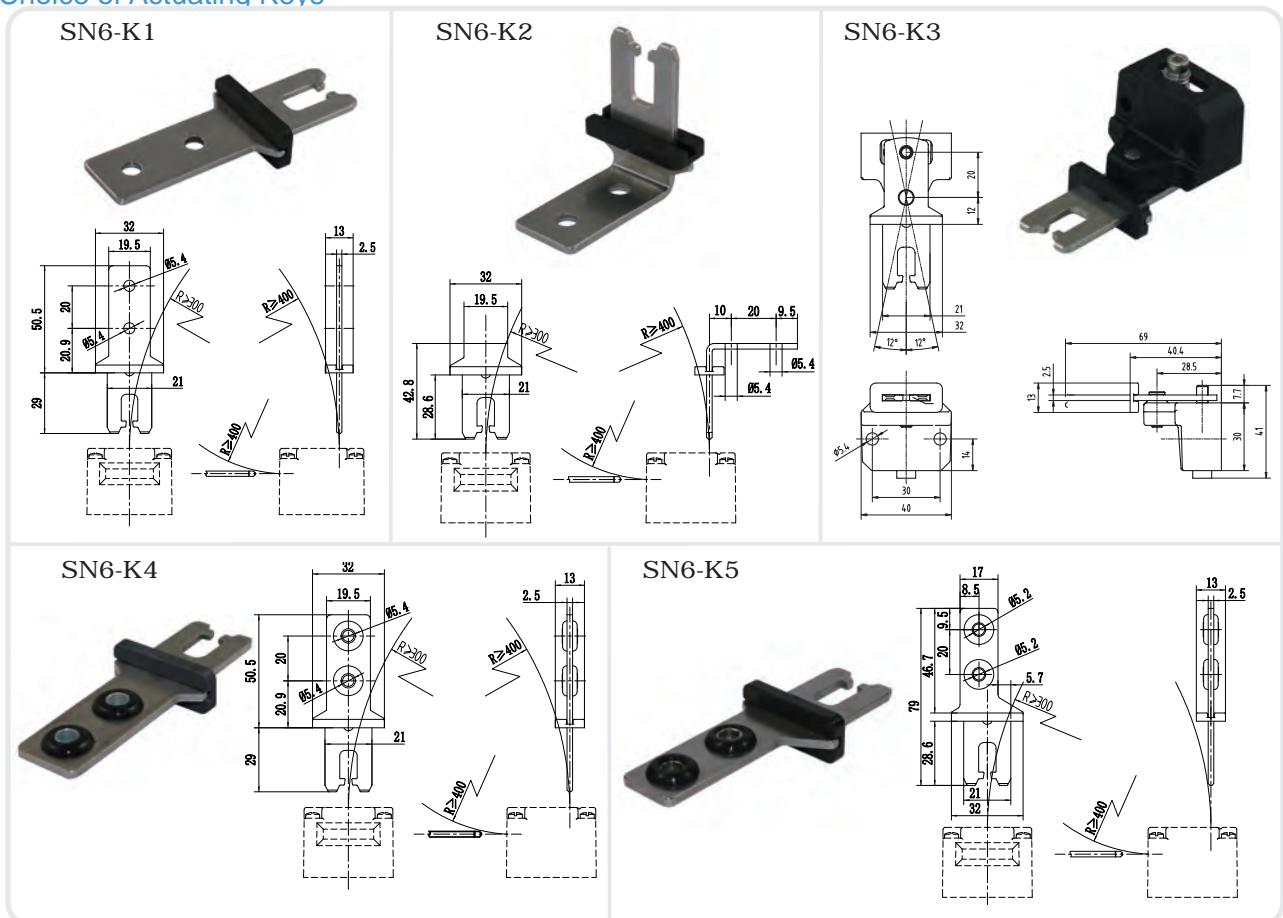
Complies with:

Low Voltage Directive 73/23/EEC, as amended by directive 93/68/EEC.

Machinery Directive 98/37/EEC only as the directives relate to the components being used in a safety function.

IEC/EN60947-5-1.

Choice of Actuating Keys



Multi-Entry Trapped Key-Operated Safety Interlock Switch SS6/SSD6 SERIES

Selection Guide:

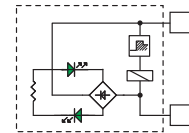
SS6191 - SL13 - U - 24 - L1 - A - R - Z2							
<table border="0"> <tr> <td style="vertical-align: top;"> <p>Body Style</p> <p>SS6191: Metal body</p> <p>SSD6191: Plastic Body</p> </td> <td style="vertical-align: top;"> <p>Contact Configuration (see below)</p> </td> <td style="vertical-align: top;"> <p>Locking Type</p> <p>U: Power to unlock</p> <p>N: Power to lock</p> </td> <td style="vertical-align: top;"> <p>Solenoid Voltage and Power</p> <p>24: 20-26VAC 20-28VDC</p> <p>120: 100-120VAC</p> <p>240: 200-240VAC</p> </td> <td style="vertical-align: top;"> <p>LED Indicators</p> <p>None: No LED</p> <p>L1: see below</p> <p>L2: see below</p> </td> <td style="vertical-align: top;"> <p>Conduits</p> <p>A: 1/2"NPT</p> <p>C: M20</p> </td> <td style="vertical-align: top;"> <p>Head Orientation</p> <p>Blank: Front</p> <p>Z2: Left</p> <p>Z3: Back</p> <p>Z4: Right</p> </td> </tr> </table>	<p>Body Style</p> <p>SS6191: Metal body</p> <p>SSD6191: Plastic Body</p>	<p>Contact Configuration (see below)</p>	<p>Locking Type</p> <p>U: Power to unlock</p> <p>N: Power to lock</p>	<p>Solenoid Voltage and Power</p> <p>24: 20-26VAC 20-28VDC</p> <p>120: 100-120VAC</p> <p>240: 200-240VAC</p>	<p>LED Indicators</p> <p>None: No LED</p> <p>L1: see below</p> <p>L2: see below</p>	<p>Conduits</p> <p>A: 1/2"NPT</p> <p>C: M20</p>	<p>Head Orientation</p> <p>Blank: Front</p> <p>Z2: Left</p> <p>Z3: Back</p> <p>Z4: Right</p>
<p>Body Style</p> <p>SS6191: Metal body</p> <p>SSD6191: Plastic Body</p>	<p>Contact Configuration (see below)</p>	<p>Locking Type</p> <p>U: Power to unlock</p> <p>N: Power to lock</p>	<p>Solenoid Voltage and Power</p> <p>24: 20-26VAC 20-28VDC</p> <p>120: 100-120VAC</p> <p>240: 200-240VAC</p>	<p>LED Indicators</p> <p>None: No LED</p> <p>L1: see below</p> <p>L2: see below</p>	<p>Conduits</p> <p>A: 1/2"NPT</p> <p>C: M20</p>	<p>Head Orientation</p> <p>Blank: Front</p> <p>Z2: Left</p> <p>Z3: Back</p> <p>Z4: Right</p>	

CIRCUIT AND TRAVEL DIAGRAMS

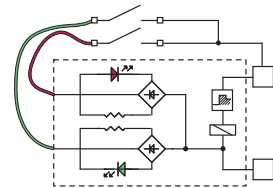
Contact block Code	Key inserted & Locked	Key inserted & Unlocked	Key Removed
SL13A 2NC/1NO (1NC)*			
SL13B 2NC (1NC/1NO)*			
SL13C 3NC (1NO)*			
SL22A 2NC/1NO (1NO)*			
SL22B 1NC/1NO (1NC/1NO)*			
SL04A 2NC (2NC)*			
SL04B 3NC (1NC)*			

* Door monitor contacts

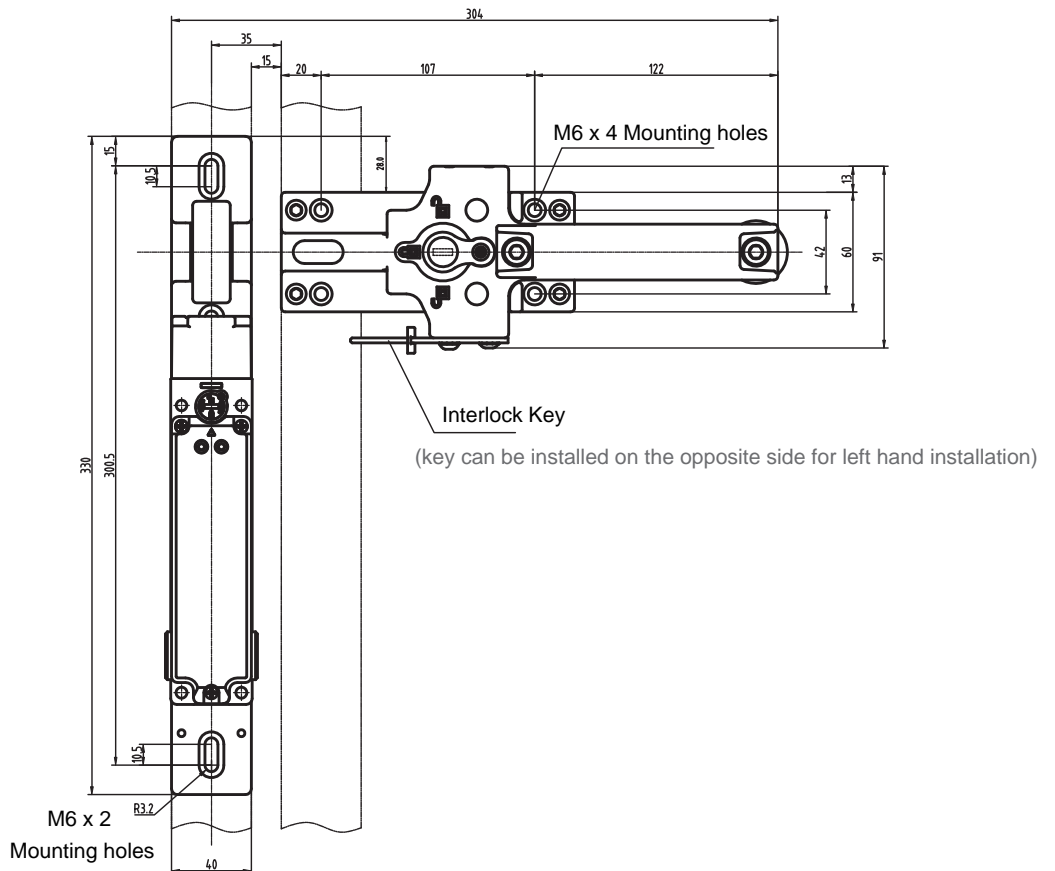
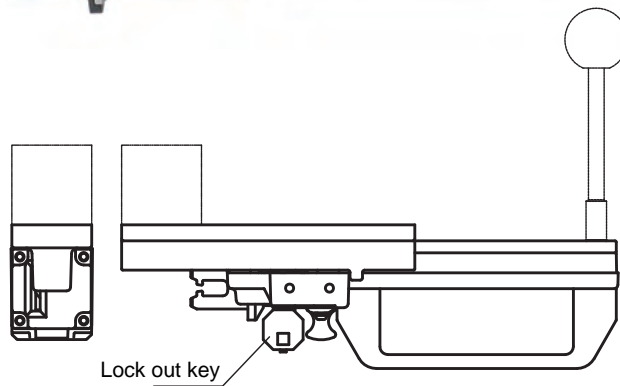
LED option L1:
Two green LEDs are switched ON directly by the solenoid power supply (24 V AC/DC versions only). Wiring is not necessary.



LED option L2:
Two LED connection wires are available, one green and one red. Through suitable connections to the contact block, it is possible to control the different states of the switch (24 V AC/DC versions only).



Key-Operated Safety Interlock Switch Mounting Hardware SS6-SHK



SAFETY SWITCHES FOR HINGES LIDS/GUARDS

Features

- Galvanically separated contacts
- Screw terminals with self-lifting clamps for easy wiring
- Positive Opening of NC contacts
- 4 x 90° actuator positions

Definitions of Operating Characteristics

- OF Operating Force
- RF Releasing Force
- OT Overtravel
- TT Total Travel
- PT Pretravel
- MD Movement Differential
- OP Operating Position
- PO Travel to Positive Opening

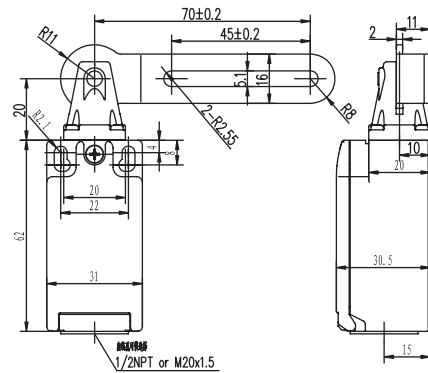
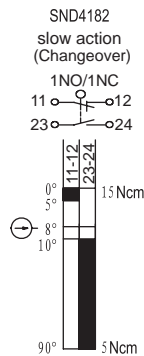


Specifications

Operating Speed	0.05mm-0.5m/s
Operating Frequency	Mechanical: 120ops/min Electrical: 30 ops/min
Insulation Resistance	>100MΩ@500V DC
Contact Resistance	<25mΩ (initial value)
Rated Current/Voltage	10A/600V AC (EN60947-5-1) AC15 A600 / DC13 Q300
Dielectric Strength	1000VAC for 1 min between current carrying parts 2500VAC for 1 min between non-current carrying parts
Service Life	Mechanically 1.0 x10 ⁷ (operations) Electrically 5 x10 ⁵ (operations)
Operating Temperature	-25~+80°C (-13~176°F)
Humidity	< 95%
Degree of Protection	IP67

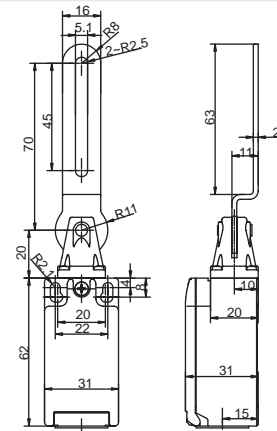
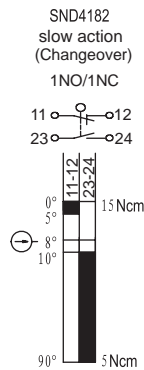
PLASTIC-BODIED Safety Switch

SND4182



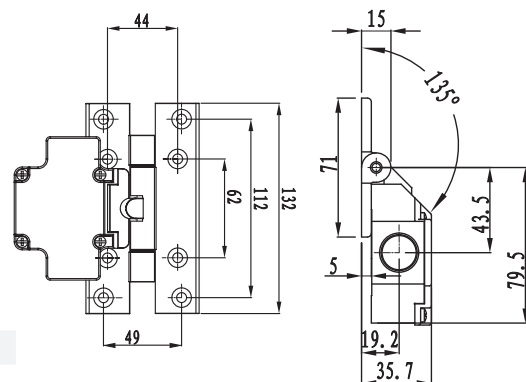
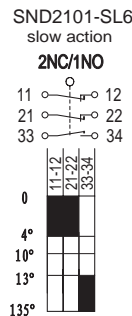
Order Code **SND4182-SL** Contact block **SL** slow action 1NO+1NC BBM

SND4182-S



Order Code **SND4182-SL-S** Contact block **SL** slow action 1NO+1NC BBM

SND2101



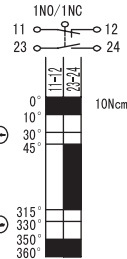
Order Code **SND2101-SL6-** Contact block **SL** slow action 1NO+2NC BBM

SAFETY SWITCHES FOR HINGES LIDS/GUARDS

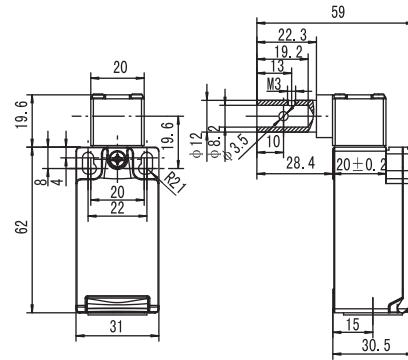
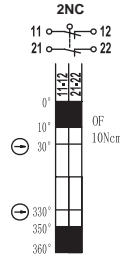
SND4181



SND4181-SL slow action (Changeover)



SND4181-SL2 slow action

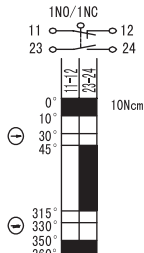


Order Code	Contact block	
SND4181-SL-	SL	slow action 1NO+1NC BBM
SND4181-SL2_	SL2	slow action 2NC

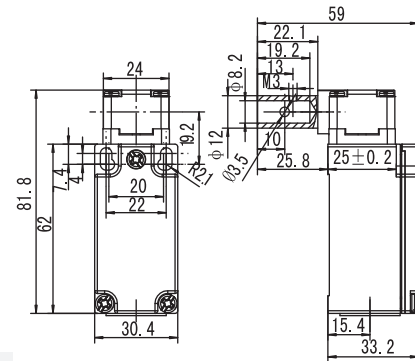
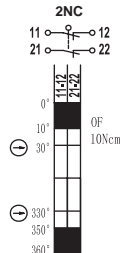
SN4181



SN4181-SL Slow Action (Changeover)



SN4181-SL2 Slow Action

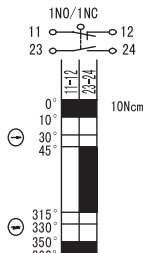


Order Code	Contact block	
SN4181-SL- _	SL	slow action 1NO+1NC BBM
SN4181-SL2- _	SL2	slow action 2NC

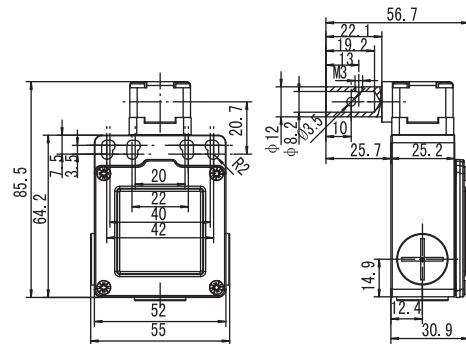
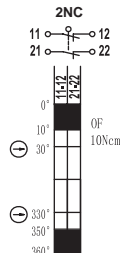
SN2181



SN2181-SL Slow Action (Changeover)



SN2181-SL2 Slow Action

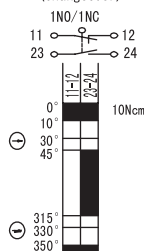


Order Code	Contact block	
SN2181-SL- _	SL	slow action 1NO+1NC BBM
SN2181-SL2- _	SL2	slow action 2NC

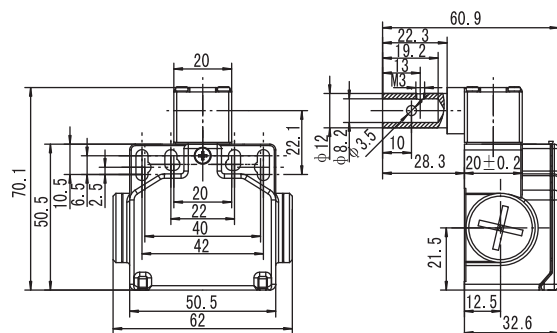
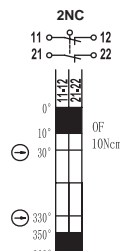
SND2181



SND2181-SL Slow Action (Changeover)



SND2181-SL2 Slow Action

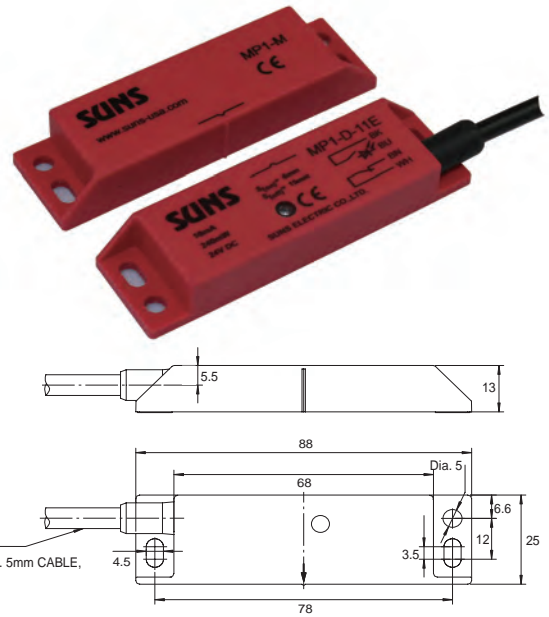


Order Code	Contact block	
SND2181-SL_	SL	slow action 1NO+1NC BBM
SND2181-SL2_	SL2	slow action 2NC

MP-1 Series Magnetic Safety Switches (IP68)

Technical Specifications

Housing material	Glassfiber Reinforced Plastics
Ambient temperature	-25 to 70°C (-13 to 158°F)
Degree of protection	IP 68 (IEC/EN 60529)
Switching voltage	100V AC/DC 400mA or
Switching current I _e max.	230VAC 2A 30VDC 1A
Auxiliary contact	24V DC
Switching voltage	10mA
Switching current I _e max.	
Method of operation	Magnetic, reed contact
Mech. life	10 millions cycles
Vibration resistance	As per IEC/EN 60947-5-2
Impact strength	50 g/ms
Shock resistance	11 g/ms
EMC compliance	In acc. with EN 61496-1/EN 50022 Part A



Ordering table

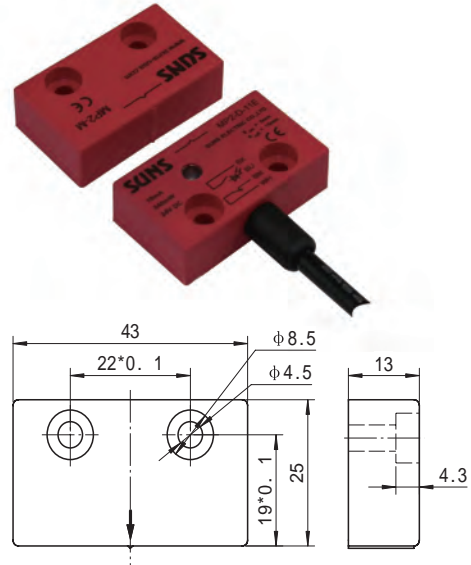
* Dimensions of the actuators are the same as switches except without cable

Item	Actuator Part Number	Switching Distance S _{on} [mm]	Circuit Diagram Gate Closed	Maximum Contact Ratings
MP1-D-03P	MP1-M	S _{on} : 6mm		100V AC/DC 400mA
MP1-D-03PM	MP1-MM	S _{on} : 9mm		
MP1-D-03PL	MP1-ML	S _{on} : 18mm		
MP1-D-03S	MP1-M	S _{on} : 6mm		
MP1-D-03SM	MP1-MM	S _{on} : 9mm		
MP1-D-03SL	MP1-ML	S _{on} : 18mm		
MP1-D-11	MP1-M	S _{on} : 6mm S _{off} : 15mm		100V AC/DC 400mA
MP1-D-11M	MP1-MM	S _{on} : 9mm S _{off} : 18mm		
MP1-D-11E	MP1-M	S _{on} : 6mm S _{off} : 15mm		24VDC 10mA
MP1-D-11ME	MP1-MM	S _{on} : 9mm S _{off} : 18mm		
MP1-D-12S	MP1-M	S _{on} : 6mm S _{off} : 15mm		100V AC/DC 400mA
MP1-D-12SM	MP1-MM	S _{on} : 9mm S _{off} : 18mm		
MP1-D-12SE	MP1-M	S _{on} : 6mm S _{off} : 15mm		24VDC 10mA
MP1-D-12SME	MP1-MM	S _{on} : 9mm S _{off} : 18mm		
MP1-D-12	MP1-M	S _{on} : 6mm S _{off} : 15mm		100V AC/DC 400mA
MP1-D-12M	MP1-MM	S _{on} : 9mm S _{off} : 18mm		
MP1-D-12E	MP1-M	S _{on} : 6mm S _{off} : 15mm		
MP1-D-12ME	MP1-MM	S _{on} : 9mm S _{off} : 18mm		24VDC 10mA
MP1-D-04E	MP1-M	S _{on} : 6mm		
MP1-D-04EM	MP1-MM	S _{on} : 9mm		100V AC/DC 400mA
MP1-D-02	MP1-M	S _{on} : 6mm		
MP1-D-02M	MP1-MM	S _{on} : 9mm		230VAC 2A 30VDC 1A
MP1-A-10	MP1-M	S _{on} : 6mm		
MP1-A-10M	MP1-MM	S _{on} : 9mm		

MP-2 Series Magnetic Safety Switches (IP68)

Technical Specifications

Housing material	Glassfiber Reinforced Plastics
Ambient temperature	-25 to 70°C (-13 to 158°F)
Degree of protection	IP 68 (IEC/EN 60529)
Switching voltage	100V AC/DC 400mA
Switching current $I_{e,max.}$	
Auxiliary contact	24V DC 10mA
Switching voltage	
Switching current $I_{e,max.}$	
Method of operation	Magnetic, reed contact
Mech. life	10 millions cycles
Vibration resistance	As per IEC/EN 60947-5-2
Impact strength	50 g/ms
Shock resistance	11 g/ms
EMC compliance	In acc.with EN 61496-1/EN 50022 Part A



Ordering table

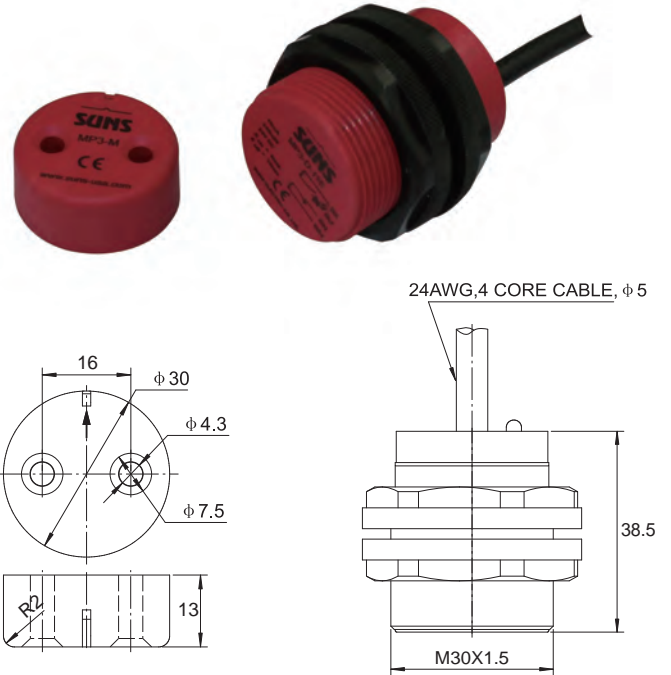
* Dimensions of the actuators are the same as switches except without cable

Item	Actuator Part Number	Switching Distance S_{on} [mm]	Circuit Diagram Gate Closed	Maximum Contact Ratings
MP2-D-03P	MP2-M	$S_{on} : 6mm$ $S_{off} : 15mm$		100V AC/DC 400mA
MP2-D-03S	MP2-M	$S_{on} : 6mm$ $S_{off} : 15mm$		100V AC/DC 400mA
MP2-D-11	MP2-M	$S_{on} : 6mm$ $S_{off} : 15mm$		100V AC/DC 400mA
MP2-D-11E	MP2-M	$S_{on} : 6mm$ $S_{off} : 15mm$		24VDC 10mA
MP2-D-12S	MP2-M	$S_{on} : 6mm$ $S_{off} : 15mm$		100V AC/DC 400mA
MP2-D-12SE	MP2-M	$S_{on} : 6mm$ $S_{off} : 15mm$		24VDC 10mA
MP2-D-02	MP2-M	$S_{on} : 6mm$ $S_{off} : 15mm$		100V AC/DC 400mA
MP2-D-12	MP2-M	$S_{on} : 6mm$ $S_{off} : 15mm$		100V AC/DC 400mA

MP-3 Series Magnetic Safety Switches (IP68)

Technical Specifications

Housing material	Glassfiber Reinforced Plastics
Ambient temperature	-25 to 70 °C (-13 to 158°F)
Degree of protection	IP 68 (IEC/EN 60529)
Switching voltage	100V AC/DC
Switching current I _e max.	400mA
Auxiliary contact	24V DC
Switching voltage	10mA
Switching current I _e max.	
Method of operation	Magnetic, reed contact
Mech. life	10 millions cycles
Vibration resistance	As per IEC/EN 60947-5-2
Impact strength	50 g/ms
Shock resistance	11 g/ms
EMC compliance	In acc. with EN 61496-1/EN 50022 Part A



Ordering table

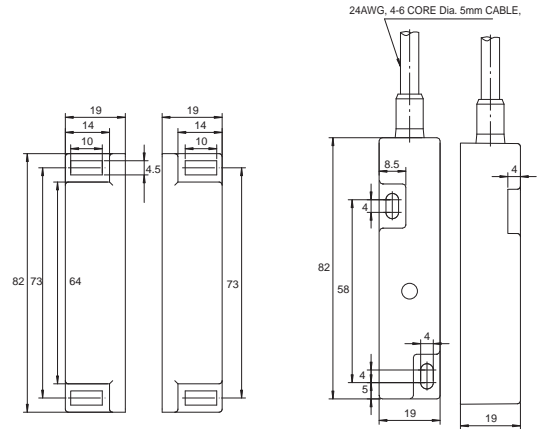
* Dimensions of the actuators are the same as switches except without cable

Item	Actuator Part Number	Switching Distance S _{on} [mm]	Circuit Diagram Gate Closed	Maximum Contact Ratings
MP30-D-03P	MP30-M	S _{on} : 6mm		100V AC/DC 400mA
MP30-D-03PM	MP30-MM	S _{on} : 9mm		
MP30-D-03S	MP30-M	S _{on} : 6mm		100V AC/DC 400mA
MP30-D-03SM	MP30-MM	S _{on} : 9mm		
MP30-D-11	MP30-M	S _{on} : 6mm S _{off} : 15mm		100V AC/DC 400mA
MP30-D-11M	MP30-MM	S _{on} : 9mm S _{off} : 18mm		
MP30-D-11E	MP30-M	S _{on} : 6mm S _{off} : 15mm		24VDC 10mA
MP30-D-11ME	MP30-MM	S _{on} : 9mm S _{off} : 18mm		
MP30-D-12S	MP30-M	S _{on} : 6mm S _{off} : 15mm		100V AC/DC 400mA
MP30-D-12SM	MP30-MM	S _{on} : 9mm S _{off} : 18mm		
MP30-D-12SE	MP30-M	S _{on} : 6mm S _{off} : 15mm		24VDC 10mA
MP30-D-12SME	MP30-MM	S _{on} : 9mm S _{off} : 18mm		
MP30-D-02	MP30-M	S _{on} : 6mm S _{off} : 15mm		100V AC/DC 400mA
MP30-D-02M	MP30-MM	S _{on} : 9mm S _{off} : 18mm		

MP-4 Series Magnetic Safety Switches (IP68)

Technical Specifications

Housing material	Glassfiber Reinforced Plastics
Ambient temperature	-25 to 70°C (-13 to 158°F)
Degree of protection	IP 68 (IEC/EN 60529)
Switching voltage	100V AC/DC 400mA or
Switching current $I_{e,max.}$	230VAC 2A 30VDC 1A
Auxiliary contact	24V DC
Switching voltage	10mA
Method of operation	Magnetic, reed contact
Mech. life	10 millions cycles
Vibration resistance	As per IEC/EN 60947-5-2
Impact strength	50 g/ms
Shock resistance	11 g/ms
EMC compliance	In acc.with EN 61496-1/EN 50022 Part A



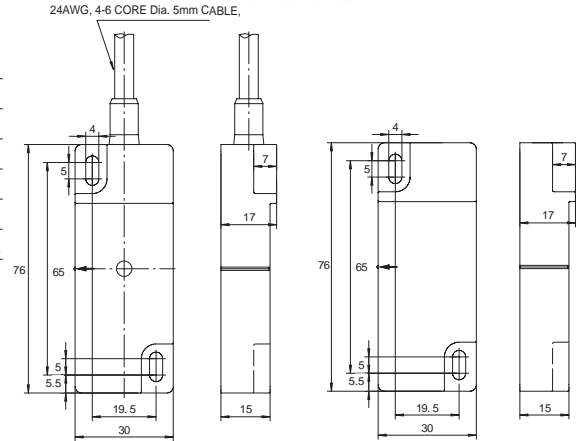
Ordering table

Item	Actuator Part Number	Switching Distance S_{on} [mm]	Circuit Diagram Gate Closed	Maximum Contact Ratings
MP4-A-10	MP4-M	S_{on} :6mm		230VAC 2A 30VDC 1A
MP4-A-10M	MP4-MM	S_{on} :9mm		
MP4-D-03P	MP4-M	S_{on} :6mm		100V AC/DC 400mA
MP4-D-03PM	MP4-MM	S_{on} :9mm		
MP4-D-03S	MP4-M	S_{on} :6mm		100V AC/DC 400mA
MP4-D-03SM	MP4-MM	S_{on} :9mm		
MP4-D-11	MP4-M	S_{on} :6mm S_{off} :15mm		100V AC/DC 400mA
MP4-D-11M	MP4-MM	S_{on} :9mm S_{off} :18mm		
MP4-D-11E	MP4-M	S_{on} :6mm S_{off} :15mm		24VDC 10mA
MP4-D-11EM	MP4-MM	S_{on} :9mm S_{off} :18mm		
MP4-D-12S	MP4-M	S_{on} :6mm S_{off} :6mm		100V AC/DC 400mA
MP4-D-12SM	MP4-MM	S_{on} :9mm S_{off} :18mm		
MP4-D-12SE	MP4-M	S_{on} :6mm S_{off} :15mm		24VDC 10mA
MP4-D-12SME	MP4-MM	S_{on} :9mm S_{off} :18mm		
MP4-D-12	MP4-M	S_{on} :6mm S_{off} :15mm		100V AC/DC 400mA
MP4-D-12M	MP4-MM	S_{on} :9mm S_{off} :18mm		
MP4-D-12E	MP4-M	S_{on} :6mm S_{off} :15mm		24VDC 10mA
MP4-D-12ME	MP4-MM	S_{on} :9mm S_{off} :18mm		

MP-5 Series Magnetic Safety Switches (IP68)

Technical Specifications

Housing material	Glassfiber Reinforced Plastics
Ambient temperature	-25 to 70°C (-13 to 158°F)
Degree of protection	IP 68 (IEC/EN 60529)
Switching voltage	100V AC/DC 400mA or 230VAC 2A 30VDC 1A
Switching current $I_{e,max}$.	24V DC 10mA
Auxiliary contact	24V DC
Switching voltage	10mA
Method of operation	Magnetic, reed contact
Mech. life	10 millions cycles
Vibration resistance	As per IEC/EN 60947-5-2
Impact strength	50 g/ms
Shock resistance	11 g/ms
EMC compliance	In acc.with EN 61496-1/EN 50022 Part A



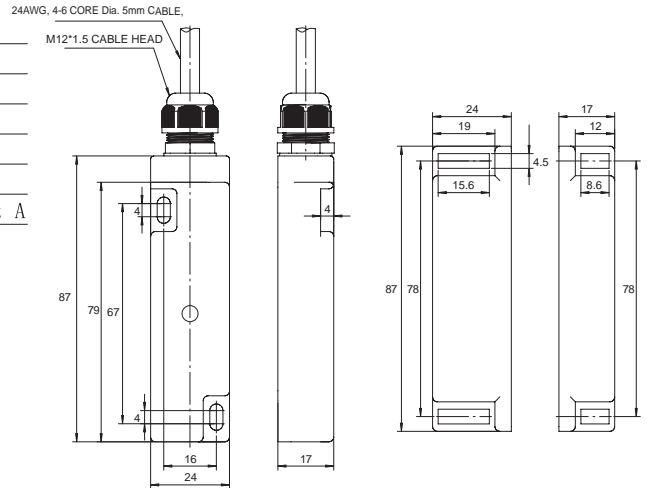
Ordering table

Item	Actuator Part Number	Switching Distance S_{on} [mm]	Circuit Diagram Gate Closed	Maximum Contact Ratings
MP5-A-10	MP5-M	S_{on} :6mm		230VAC 2A 30VDC 1A
MP5-A-10M	MP5-MM	S_{on} :9mm		
MP5-D-03P	MP5-M	S_{on} :6mm		100V AC/DC 400mA
MP5-D-03PM	MP5-MM	S_{on} :9mm		
MP5-D-03S	MP5-M	S_{on} :6mm		100V AC/DC 400mA
MP5-D-03SM	MP5-MM	S_{on} :9mm		
MP5-D-11	MP5-M	S_{on} :6mm S_{off} :15mm		100V AC/DC 400mA
MP5-D-11M	MP5-MM	S_{on} :9mm S_{off} :18mm		
MP5-D-11E	MP5-M	S_{on} :6mm S_{off} :15mm		24VDC 10mA
MP5-D-11EM	MP5-MM	S_{on} :9mm S_{off} :18mm		
MP5-D-12S	MP5-M	S_{on} :6mm S_{off} :6mm		100V AC/DC 400mA
MP5-D-12SM	MP5-MM	S_{on} :9mm S_{off} :18mm		
MP5-D-12SE	MP5-M	S_{on} :6mm S_{off} :15mm		24VDC 10mA
MP5-D-12SME	MP5-MM	S_{on} :9mm S_{off} :18mm		
MP5-D-12	MP5-M	S_{on} :6mm S_{off} :15mm		100V AC/DC 400mA
MP5-D-12M	MP5-MM	S_{on} :9mm S_{off} :18mm		
MP5-D-12E	MP5-M	S_{on} :6mm S_{off} :15mm		24VDC 10mA
MP5-D-12ME	MP5-MM	S_{on} :9mm S_{off} :18mm		

MP-6 Series Magnetic Safety Switches (IP68)

Technical Specifications

Housing material	Glassfiber Reinforced Plastics
Ambient temperature	-25 to 70°C (-13 to 158°F)
Degree of protection	IP 68 (IEC/EN 60529)
Switching voltage	100V AC/DC 400mA or
Switching current $I_{e,max}$.	230VAC 2A 30VDC 1A
Auxiliary contact	24V DC
Switching voltage	10mA
Method of operation	Magnetic, reed contact
Mech. life	10 millions cycles
Vibration resistance	As per IEC/EN 60947-5-2
Impact strength	50 g/ms
Shock resistance	11 g/ms
EMC compliance	In acc.with EN 61496-1/EN 50022 Part A



Ordering table

Item	Actuator Part Number	Switching Distance S_{on} [mm]	Circuit Diagram Gate Closed	Maximum Contact Ratings
MP6-A-10	MP6-M	S_{on} :10mm S_{off} : 30mm		230VAC 2A 30VDC 1A
MP6-A-01	MP6-M	S_{on} :10mm S_{off} : 30mm		230VAC 2A 30VDC 1A
MP6-D-02	MP6-M	S_{on} :10mm S_{off} : 30mm		100V AC/DC 400mA
MP6-D-11	MP6-M	S_{on} :10mm S_{off} : 30mm		100V AC/DC 400mA
MP6-D-12	MP6-M	S_{on} :10mm S_{off} : 30mm		100V AC/DC 400mA

MP50-2RZ Series Magnetic Safety Switches (IP67)

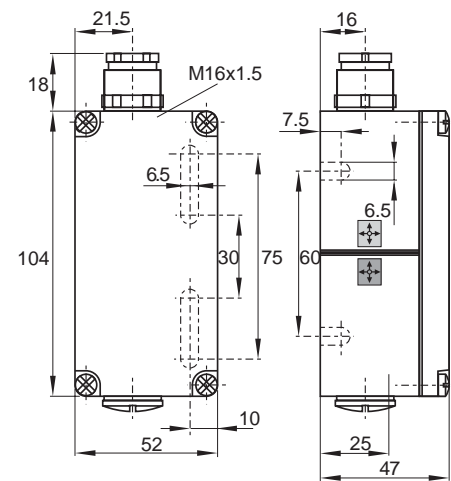
Features

- Robust metal housing
- Large wiring compartment
- High resistance to vibration
- High switching capacity
- IEC 60947-5-3, EN 954-1
- Long switching distance



Technical Specifications

Housing material	Aluminum die cast
Ambient temperature	-25 to 90° C (-13 to 194 F)
Degree of protection	IP 67 (IEC/EN 60529)
Safety Contact Rating	250Vac / 3Amps max. 120VA/W
Dielectric Strength	> 600VAC (50/60Hz)
Switching time	Close: 0.3-1.5ms Open: 0.5 ms (max)
Contact Configuration	1NO/1NC
Actuating Speed	18m/s (max)
Switching Accuracy	+/- 0.25mm
Switching Distance	35mm
Method of operation	Magnetic, reed contact
Mech. life	10 millions cycles
Vibration resistance	As per IEC/EN 60947-5-2
Impact strength	50 g/ms
Shock resistance	11 g/ms
EMC compliance	In acc.with EN 61496-1/EN 50022 Part A



RDS SERIES RFID NON-CONTACT SAFETY SWITCH

Features

- Actuation without contact, using RFID technology
- Digitally coded actuator
- 3 LEDs for status display
- Connecting up to 32 sensors in series
- Short-circuit protection, polarity-reversing protection
- Safety category: up to SIL 3, PL e and Category 4

Specifications

Operating voltage	24VDC
Operating current	<20mA
Max. output current	200mA
For safety applications up to	SIL3 acc. to EN 62061 PL e acc. to EN ISO 13849-1 Type 4 acc. to EN ISO 14119
Housing material	Fiber-reinforced plastic
Operating temperature	-25°+70°
Switching frequency	2Hz
Sensing distance	10mm
Enclosure protection	IP69K

Selection Guide:

RDS	1	-	D	1	L2	-	0
	Code Mechanism			Output Configuration	Connection Type		Actuator*
	1: Low level**			1: Standard 7 outputs	L01: 0.1m cable		None: Sensor only
	2: High level**			2: With external device monitoring output	L05: 0.5m cable		S: Standard actuator
	3: Blank actuator***			3: Inverse RFID output	L2: 2m cable		E: Extended-range actuator
					L10: 10m cable		
					M: M12 connector		

* For actuator only, part number would be: RDA1, RDA2 or RDA3 followed by -S or -E
 ** Low level means the sensor recognises all low level coded actuators. High level are defined by one to one correspondence
 *** Blank actuators sold separately can be programmed into high level actuators by putting them near the intended sensor and waiting for RFID_OUT Led blinking 5 times. Afterwards, The actuator can be recognised.

Pictures:



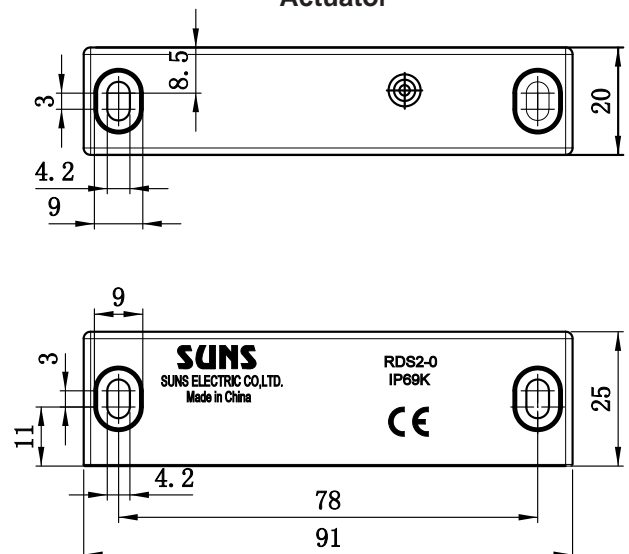
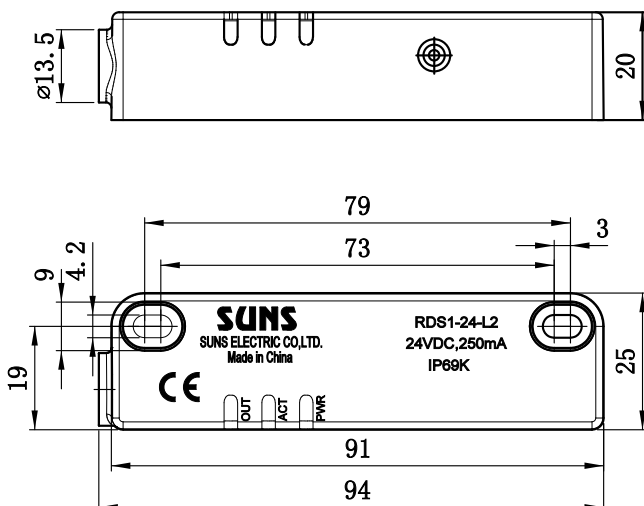
Wiring Diagram:

- Brown VCC (10-30V)
- Blue GND (Ground line)
- Orange GPIO_OUT (Safety output)
- Red GPIO_OUT (Safety output)
- Green RFID_OUT (RFID authentication through output)
- White IN1 (input 1)
- Yellow IN2 (input 2)
- Black PROGRAM (Programming mouth)

Dimensions:

Sensor

Actuator



Limit Switches with Manual Reset for Over-Speed Devices

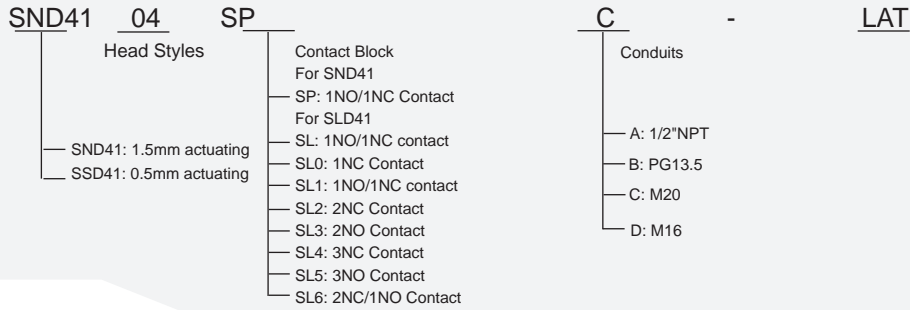
Features

- Glass fiber reinforced plastic body
- Conform to EN 60947-5-1, IEC 60947-5-1, UL508,
- ASME A17.1/5, EN 81-1, EN 81-2 Standards
- High sensibility and low actuating force
- Galvanically separated contacts
- Positive Opening of NC contacts
- Conform to EN 50047 standard

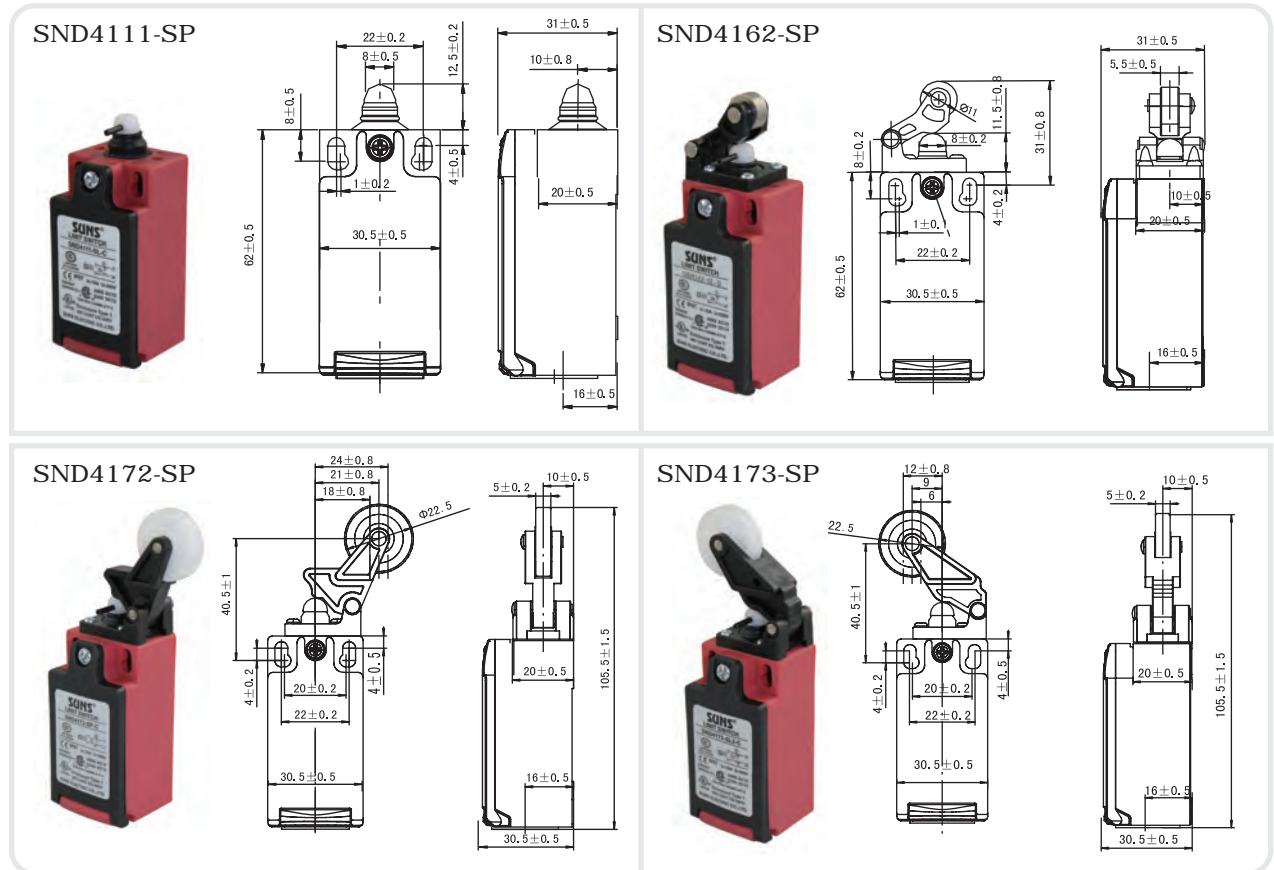
Specifications

Operating Speed	0.05mm-2m/s
Rated Current/Voltage	10A/600V AC (EN60947-5-1) AC15 A600 / DC13 Q300
Service Life	Mechanically 10 millions (operations)
Operating Temperature	-25~+80°C (-13~176°F) with no icing
Actuating force	6 N (+/- 2 N)
Actuating Distance	< 0.5mm
Contact Opening	2 x 2 mm
Degree of Protection	IP67

Selection Guide:


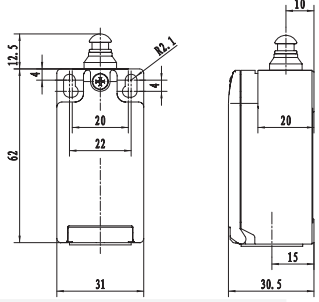

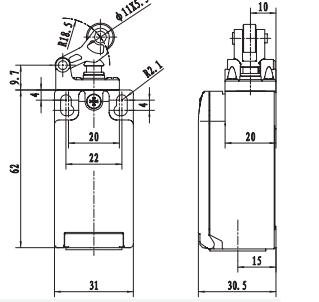

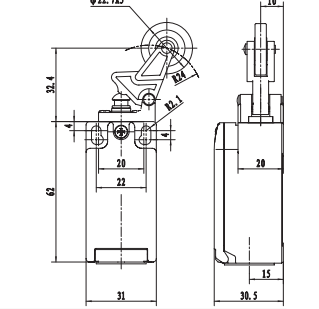

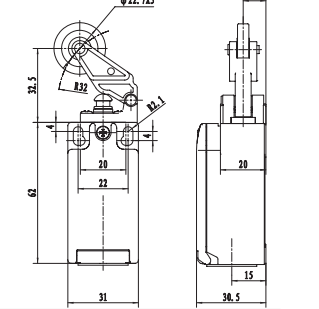

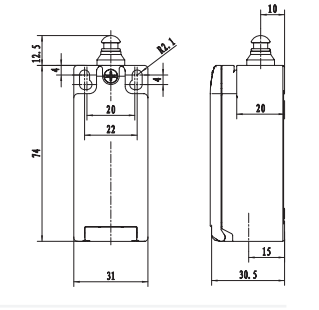

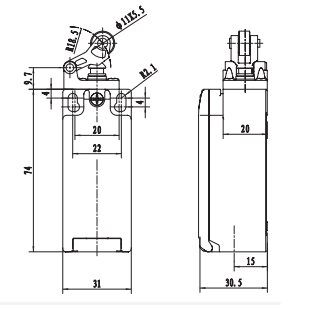

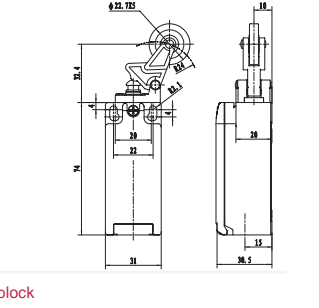

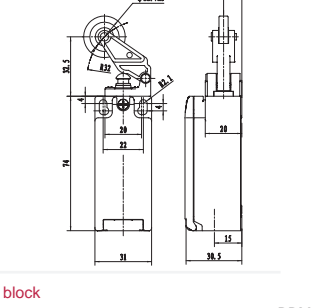


Dimensions Unit: mm



Limit Switches with Manual Reset for Over-Speed Devices

SSD4 Series

 	 
<p>Order Code Contact block</p> <p>SSD4111-S01 ⊕ slow action 1NC</p>	<p>Order Code Contact block</p> <p>SSD4162-S01 ⊕ slow action 1NC</p>
 	 
<p>Order Code Contact block</p> <p>SSD4172-S01 ⊕ slow action 1NC</p>	<p>Order Code Contact block</p> <p>SSD4173-S01 ⊕ slow action 1NC</p>
 	 
<p>Order Code Contact block</p> <p>SSD4211-SL ⊕ slow action 1NC/1NO BBM</p> <p>SSD4211-SL2 ⊕ slow action 2NC</p> <p>SSD4211-SL6 ⊕ slow action 2NC/1NO</p>	<p>Order Code Contact block</p> <p>SSD4262-SL ⊕ slow action 1NC/1NO BBM</p> <p>SSD4262-SL2 ⊕ slow action 2NC</p> <p>SSD4262-SL3 ⊕ slow action 2NC/1NO</p>
 	 
<p>Order Code Contact block</p> <p>SSD4272-SL ⊕ slow action 1NC/1NO BBM</p> <p>SSD4272-SL2 ⊕ slow action 2NC</p> <p>SSD4272-SL6 ⊕ slow action 2NC/1NO</p>	<p>Order Code Contact block</p> <p>SSD4273-SL ⊕ slow action 1NC/1NO BBM</p> <p>SSD4273-SL2 ⊕ slow action 2NC</p> <p>SSD4273-SL6 ⊕ slow action 2NC/1NO</p>

Latching Limit Switch with Remote Reset SSD4 SERIES (3-CONDUIT ENTRIES)

Introduction

SSD4 latching limit switch with remote reset is designed for use for applications, where an intentional reset of the switch is required. The switch can be remotely reset without being physically near it.

Applications

- overspeed governor, particularly suitable for machine room less lifts.
- Wind generators, or similar applications with service areas difficult to access

Features

- Glass fiber reinforced plastic body
- Glass fiber reinforced plastic body
- Conform to EN 60947-5-1, IEC 60947-5-1, UL508, ASME A17.1/5, EN 81-1, EN 81-2 Standards
- Reset with electric pulse 24VDC, 48VDC 120VAC or 240VAC options
- Galvanically separated contacts
- Prewired with 3 possible cable entry positions
- Positive Opening of NC contacts
- Conform to EN 50047 standard



Specifications:



Operating Speed	0.05mm-0.5m/sec
Rated Current/Voltage	10A/600V AC (EN60947-5-1)
	AC15 A600 / DC13 Q300
Service Life	Mechanically 50,000 (operations)
Operating Temperature	-25~+50°C (-13~122°F) with no icing
Actuating force	6 N (+/- 2 N)
Actuating Distance	< 0.5mm
Contact Opening	2 x 2 mm
Degree of Protection	IP67

Solenoid:


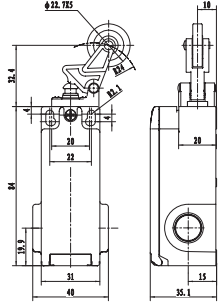

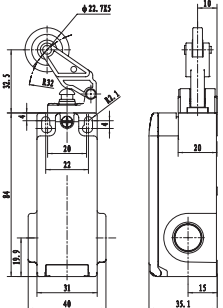

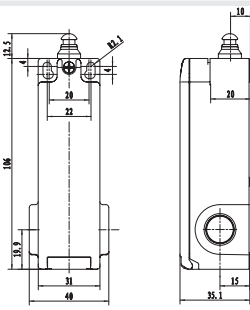

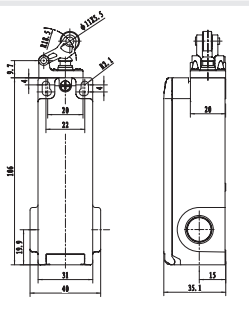

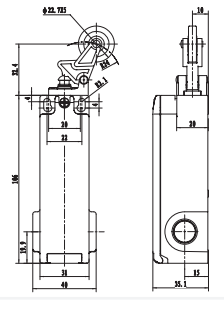

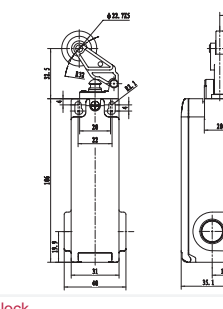

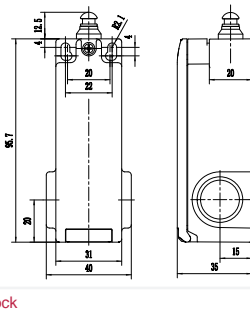
Rated voltage (Ue):	24 VDC (+/- 10%)
	48 VDC (+/- 10%)
	120 VAC (+/- 10%)
	240 VAC (+/- 10%)
Rated current (Ie):	3 A (24 VDC)
	1.5 A (48 VDC)
	0.8A (120VAC)
	0.5 A (230 V)
Solenoid duty cycle:	3% ED
Power supply time	Power supply time: min. 0.2s, max 0.5s
	Time without power supply: min. 30s
Max operating frequency:	100 operations cycles/hour

Selection Guide:

SSD44 11	-	SL6	-	120	-	L	-	D	-	2
Enclosure Type		Contact Block		Solenoid voltage rating		Cable Exit		Conduits		Cable Length
43: Body length 84mm (3 conduit entries)		SL: 1NO/1NC Contact		24: 24VDC		L: Cable Exit Left		D: M16		
44: Body length 106mm (3 conduit entries)		SL0: 1NC Contact		48: 48VDC		M: Cable Exit Bottom				
45: Body length 95.7mm (3 conduit entries)		SL2: 2NC Contact		120: 110-125VAC		R: Cable Exit Right				
		SL3: 2NO Contact		240: 220-240VAC						
		SL4: 3NC Contact								
		SL5: 3NO Contact								
		SL6: 2NC/1NO Contact								

	
Order Code	Order Code
SSD4311-S01	SSD4362-S01
Contact block	Contact block
⊕ slow action 1NC	⊕ slow action 1NC

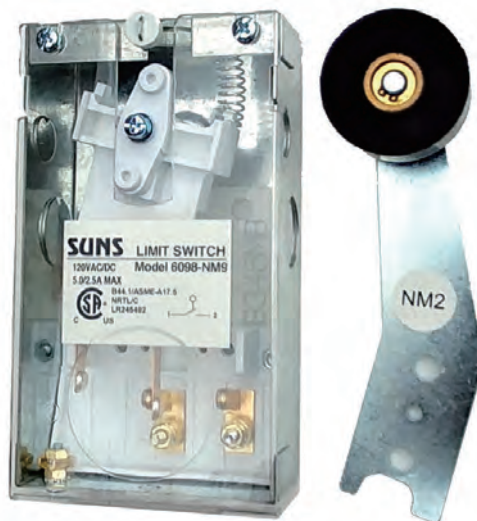
Latching Limit Switch with Remote Reset SSD4 SERIES

 	 
<p>Order Code Contact block</p> <p>SSD4372-S01 ⊕ slow action 1NC</p>	<p>Order Code Contact block</p> <p>SSD4373-S01 ⊕ slow action 1NC</p>
 	 
<p>Order Code Contact block</p> <p>SSD4411-SL ⊕ slow action 1NC/1NO BBM</p> <p>SSD4411-SL2 ⊕ slow action 2NC</p> <p>SSD4411-SL6 ⊕ slow action 2NC/1NO</p>	<p>Order Code Contact block</p> <p>SSD4462-SL ⊕ slow action 1NC/1NO BBM</p> <p>SSD4462-SL2 ⊕ slow action 2NC</p> <p>SSD4462-SL6 ⊕ slow action 2NC/1NO</p>
 	 
<p>Order Code Contact block</p> <p>SSD4472-SL ⊕ slow action 1NC/1NO BBM</p> <p>SSD4472-SL2 ⊕ slow action 2NC</p> <p>SSD4472-SL6 ⊕ slow action 2NC/1NO</p>	<p>Order Code Contact block</p> <p>SSD4473-SL ⊕ slow action 1NC/1NO BBM</p> <p>SSD4473-SL2 ⊕ slow action 2NC</p> <p>SSD4473-SL6 ⊕ slow action 2NC/1NO</p>
 	
<p>Order Code Contact block</p> <p>SSD4511-SL ⊕ slow action 1NC/1NO BBM</p> <p>SSD4511-SL2 ⊕ slow action 2NC</p> <p>SSD4511-SL6 ⊕ slow action 2NC/1NO</p>	

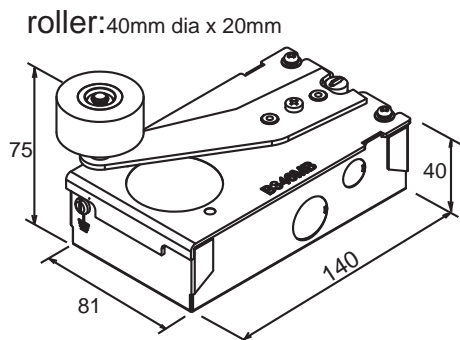
6098 LIMIT SWITCHES FOR ELEVATOR APPLICATIONS

Features

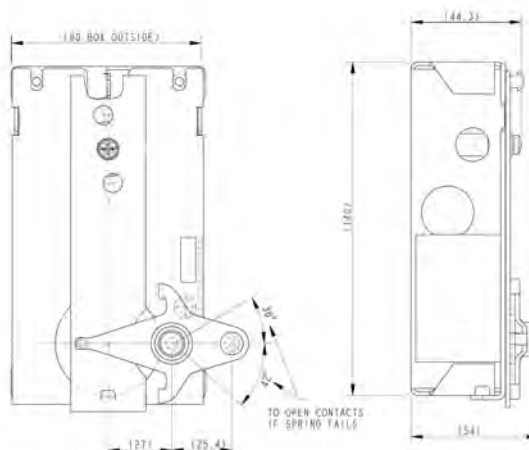
- Zinc plated steel enclosure
- Transparent cover for checking adjusting contacts
- 40mm big rubber roller for quite operation
- Super large contacts with self-clean function for maintenance free operation
- Available in 1NO, 1NC, 2NO, 2NC contact
- Tripper style for safety application



Dimensions: (mm)



6098NM



6098NR

Available Styles:

Part Number	Contact Type:	Lever Position
6098NM1	1NC	As Shown on Drawing Above
6098NM2	1NC	Opposite
6098NM3	2NC	As Shown on Drawing Above
6098NM4	2NC	Opposite
6098NM8	1NO	As Shown on Drawing Above
6098NM9	1NO	Opposite
6098NM10	2NO	As Shown on Drawing Above
6098NM11	2NO	Opposite
6098NR1	1NC	As Shown on Drawing Above
6098NR2	1NC	Opposite
6098NR3	2NC	As Shown on Drawing Above
6098NR4	2NC	Opposite

DOOR CONTACT EDC SERIES

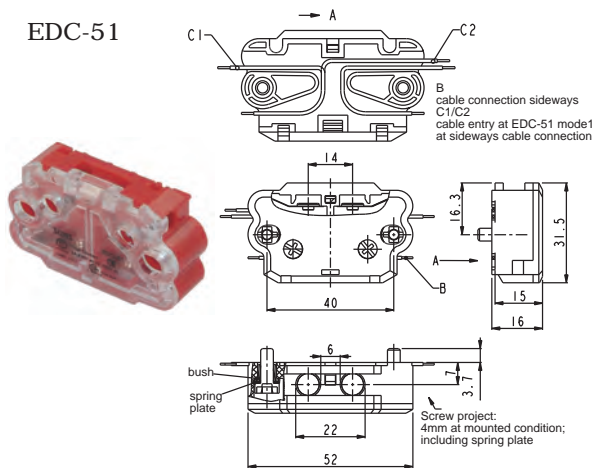
Features

- For use in controlling the closure position of lift doors or as switch for locking mechanism of automatic doors safety switch with positive contact
- Quiet Functioning
- Self-cleaning double break contact for long service life

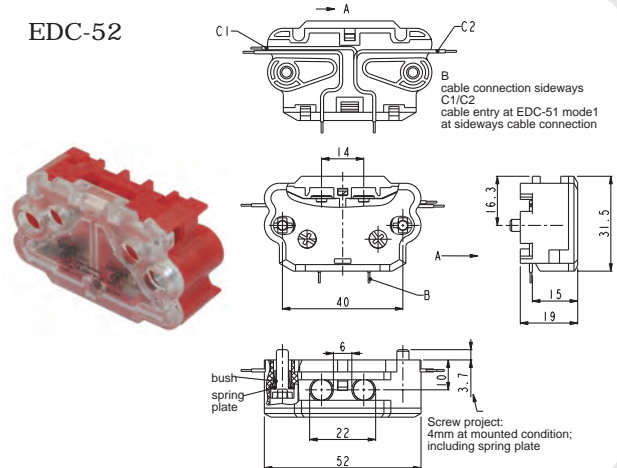
Specifications

Enclosure Material	Fiber reinforced PA6/66 (UL94-V0)
Cover Material	Polycarbonate (UL94-V0) transparent
Actuator	Silver-plated brass with PA6/66 (UL94-V0) enclosure
Contact Material	Cu-rivets with silver coating
Mounting	2xM4 thread rolling captive screws
Contact Type	1NC
Termination	M3.5 screw switch self-lifting clamp (conductor cross-section 0.5 to 1.5 mm ²)
Switching Frequency	30 ops/min
Rated Thermal Current (I _{th})	4A
Rated Operation Current/Voltage (I _e /U _e)	2A/230VAC; 2A/200VDC (according to EN81-1, -2)
Short-time current protective device	Fuse 6A gL
Ambient Temperature	-30~+80°C (-22~176°F)
Mechanical Life	Mechanically 10 millions operations
Degree of Protection	IP20 to IEC/EN60529
Standards	EN81, CAN/CSA-B44.1/ASME-A15.5, VDE 0660

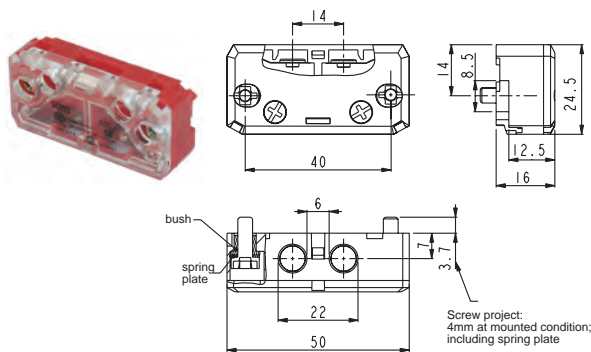
EDC-51



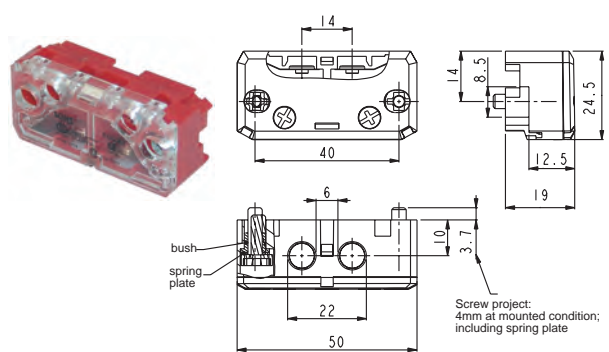
EDC-52



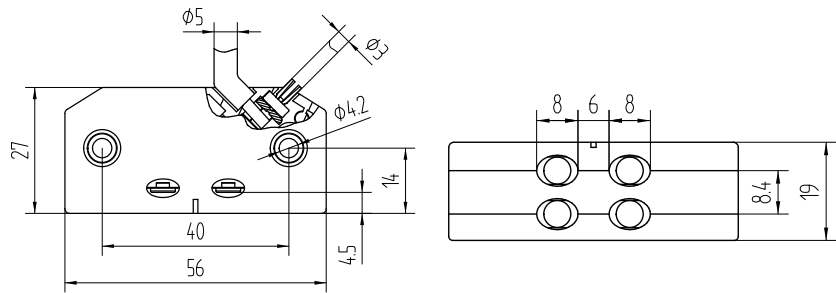
EDC-61



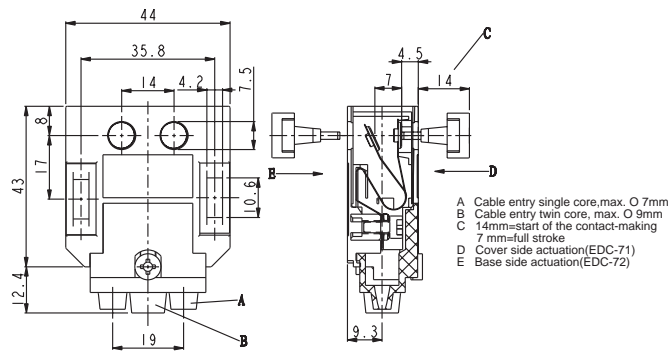
EDC-62



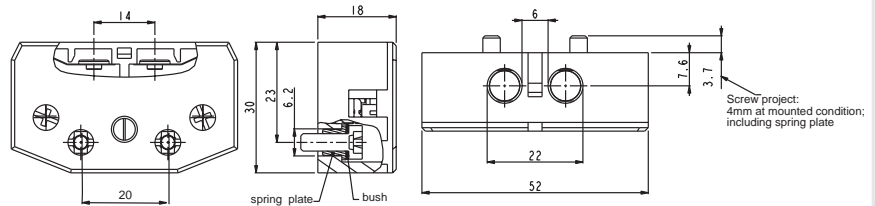
DOOR CONTACT EDC SERIES



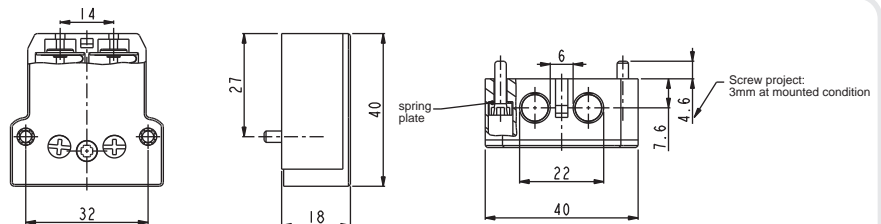
EDC-63



EDC-71 EDC-72



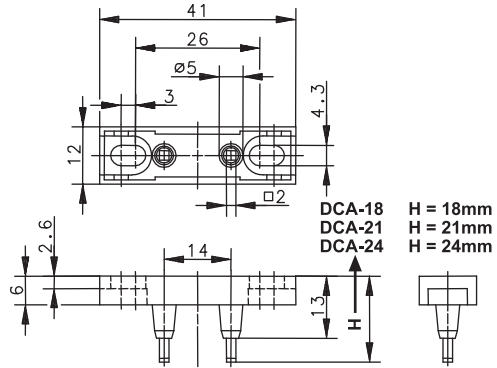
EDC-8



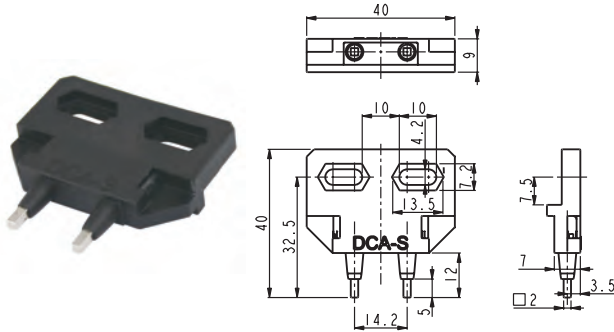
EDC-92

DCA ACTUATOR FOR DOOR CONTACT

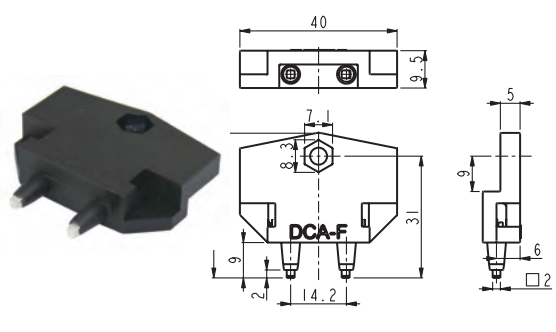
For use with EDC5,EDC6,EDC7,EDC8,EDC9 door contacts



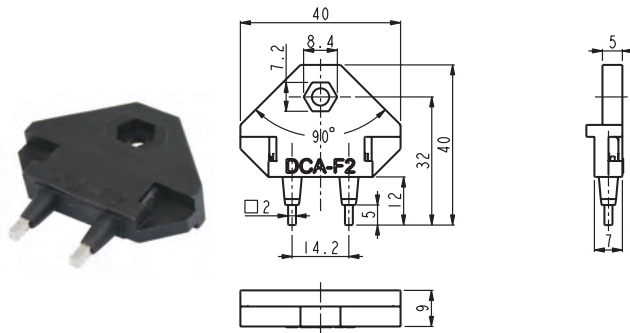
DCA-18 DCA-21 DCA-24



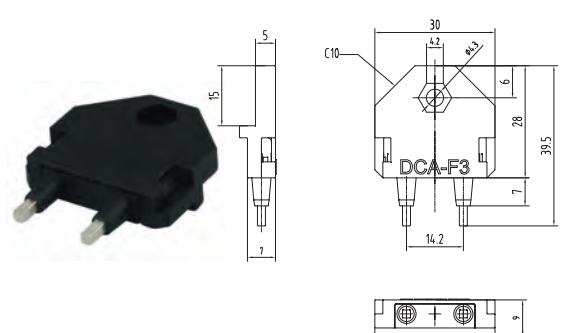
DCA-S



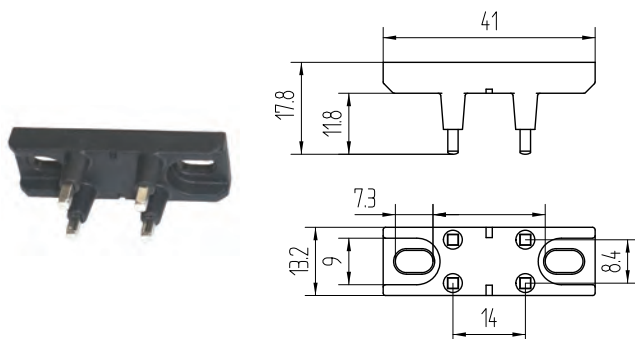
DCA-F



DCA-F2



DCA-F3



DCA-18T

HMS/HLS/HNS Series Heavy Duty Limit Switches

Features

- Heavy duty zinc die cast body
- Conform to EN 60947-5-1, IEC 60947-5-1, UL508, NEMA250, CSA22.2 Standards
- Wide range of actuator available
- High repeatability (0.03mm for linear travel)
- Available in three body styles: compact, standard and Non-plug-in

Specifications

Operating Speed	0.05mm-2m/sec
Rated Current/Voltage	10A/600V AC (EN60947-5-1) AC15 A600 / DC13 Q300
Service Life	Mechanically 10 millions (operations) Electrically 1 million (operations)
Operating Temperature	-28.9~+85°C (-20~185°F)
Vibration Resistance	25gn (10..150 Hz, 11ms) per IEC60068-2-6
Shock Resistance	60gn (9ms) per IEC 60068-2-27
Dielectric Strength	2200VAC for 1 minute
Short Circuit Protection	10A fuse
Terminal Wire Size	12-22AWG (2.05-0.644mm ²)
Degree of Protection	IP 67 conforming to IEC 60529, NEMA Types 2, 4, 6, 6P, 12, 13

Electrical Ratings

IEC 60947-5-1 / EN 90947-5-1							
Designation & Utilization Category	Rated operational current Ie (A) at rated operational voltage Ue					VA rating	
	120V	240V	380V	480V	600V	Make	Break
AC15 A600	6A	3A	1.9A	1.5A	1.2A	7200	720
DC13 Q300	125VDC	250VDC	0.55	0.27		69	69

* Wider operating temperature models are available. Please contact us.

HMS Compact

HLS Standard

HNS Non-plug-in



Selection Guide:

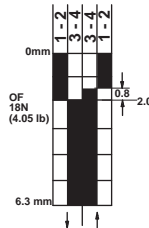
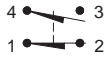
HLS	1	A	04	A	-	F	-	UR	
Body Styles	Contact Block	1/2NPT Conduit (Contact us for other types)	Head Style	Applied on to Lever Arms Style		Rubber Seal Type		Indicator Light	Rotary Head Shaft Diameter
<ul style="list-style-type: none"> HMS: Compact HLS: Standard HNS: Non-plug-in 	<ul style="list-style-type: none"> 1: SPDT (1NO/1NC) Snap action 2: DPDT (2NO/2NC) Snap action 3: DPDT (2NO/2NC) 2 stages 4: DPDT (2NO/2NC) center neutral operation 5: 4NO Slow action (for HNS only) 6: 3NO/1NC Slow action (for HNS only) 7: 2NO/2NC Slow action (for HNS only) 8: 1NO/3NC Slow action (for HNS only) 9: 4NC Slow action (for HNS only) 		<ul style="list-style-type: none"> 2 digit or 2 digit + 1 letter 	<ul style="list-style-type: none"> B: Standard A: High precision N: Low torque D: High precision low torque C: Maintained TB: Neutral position TA: Neutral position (high precision) E: 360° rotation 		<ul style="list-style-type: none"> Blank: Standard F: Fluorite rubber 		<ul style="list-style-type: none"> Blank: None UR: Red indicator light universal voltage(12V-270V) 	<ul style="list-style-type: none"> Blank: 11.0mm (AB): 8.0mm (CH): 7.0mm (HW): 7.3mm

HMS/HLS Series Heavy Duty Limit Switches

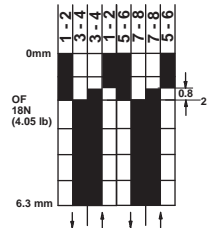
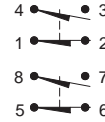
Plunger type



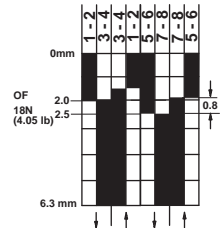
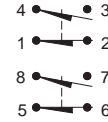
HMS-1A/
HLS-1A
1NO/1NC



HMS-2A/
HLS-2A
2NO/2NC

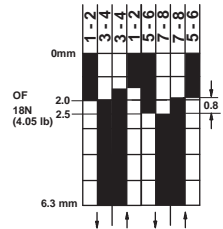
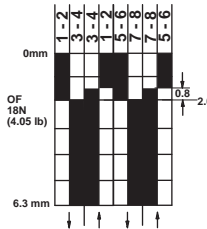
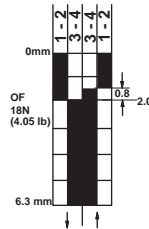


HMS-3A/
HLS-3A
2NO/2NC(2-stages)

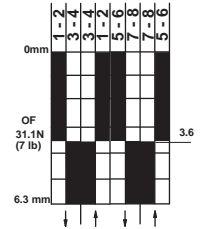
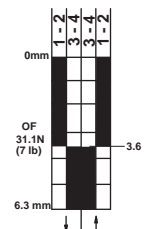


* Note: Operating Force (OF) is 31.1N(7 lb) for Plunger type 01 style.

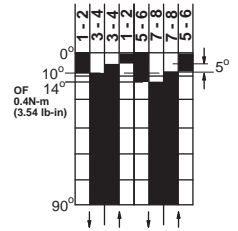
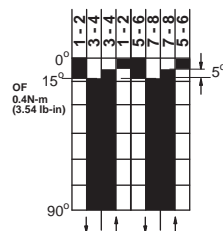
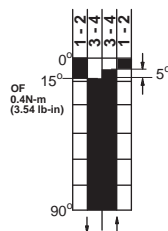
Side Plunger type



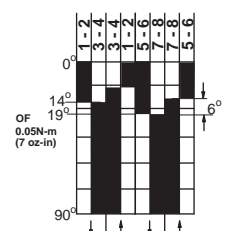
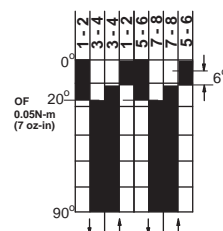
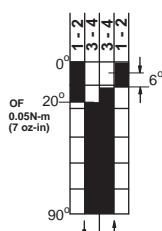
Side Plunger (Maintained) type 10H Styles



Spring coil type



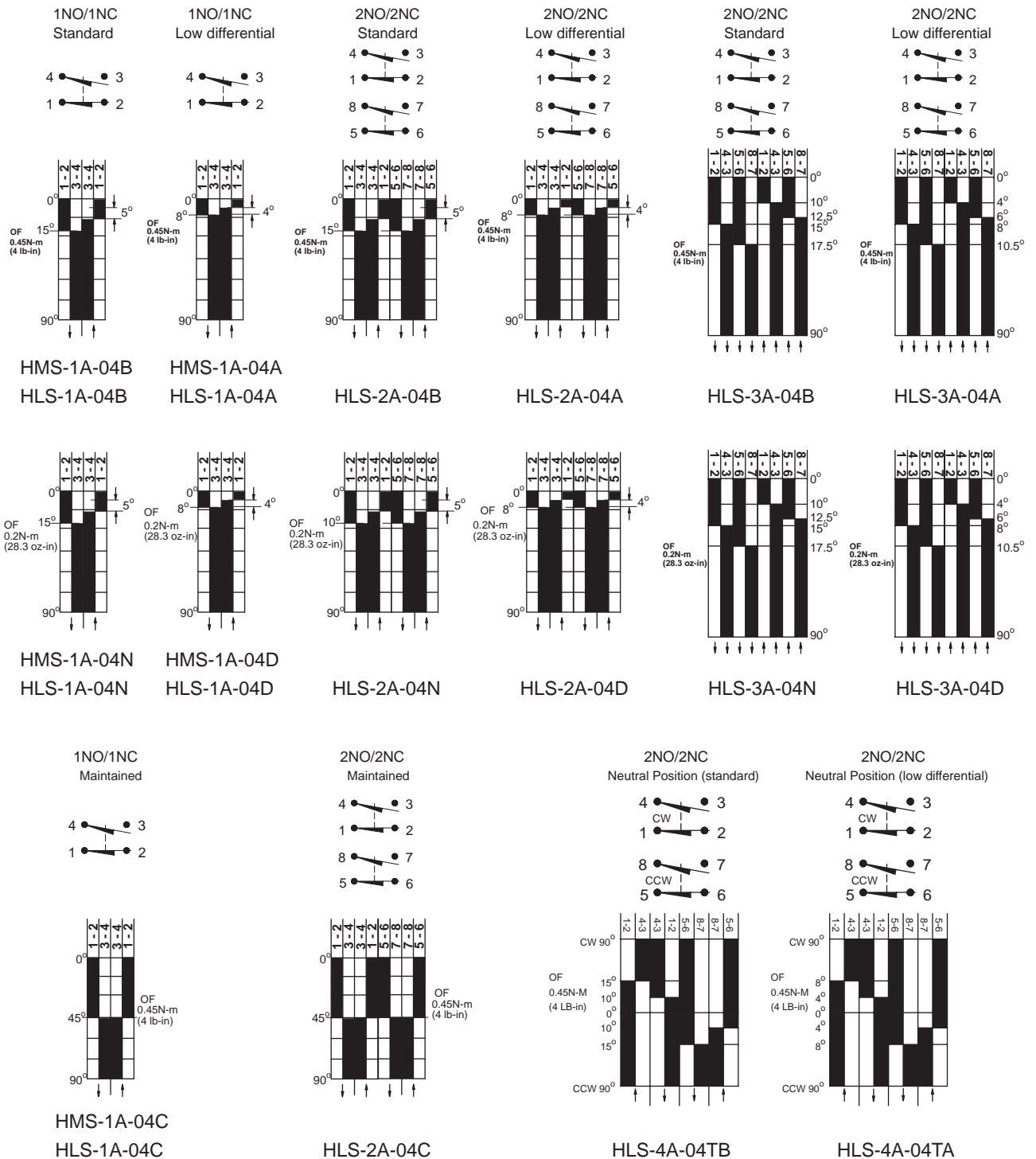
Cat Whisker type 68 Styles



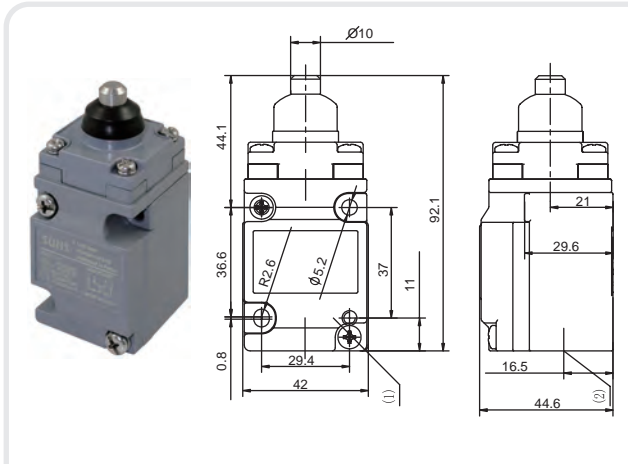
HMS/HLS Series Heavy Duty Limit Switches



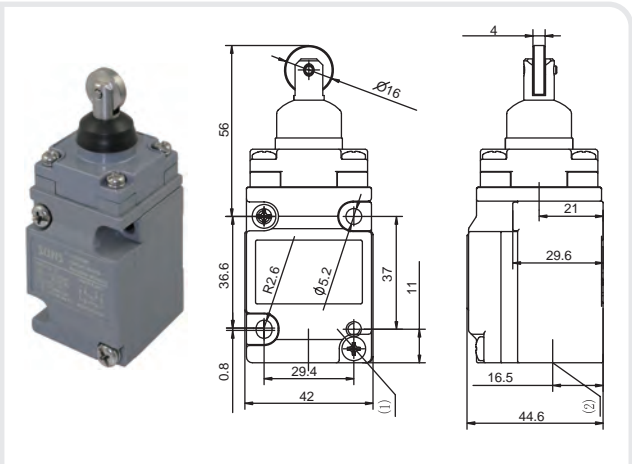
Travel Diagram for Rotary Lever Styles



HMS Series Heavy Duty Limit Switches

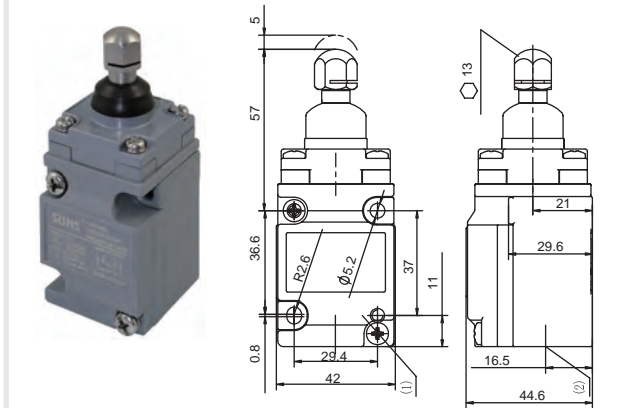


Order Code
HMS-1A-11: 1NO/1NC

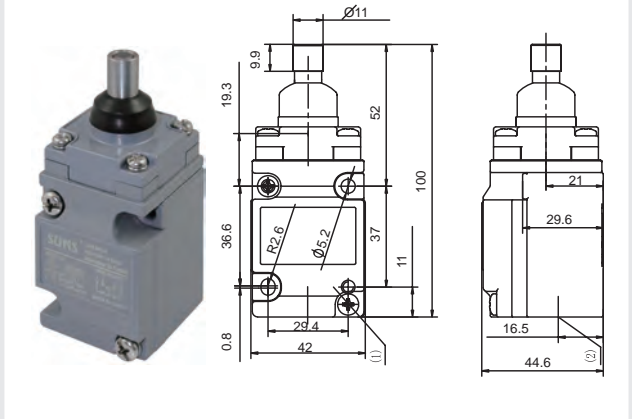


Order Code
HMS-1A-12: 1NO/1NC

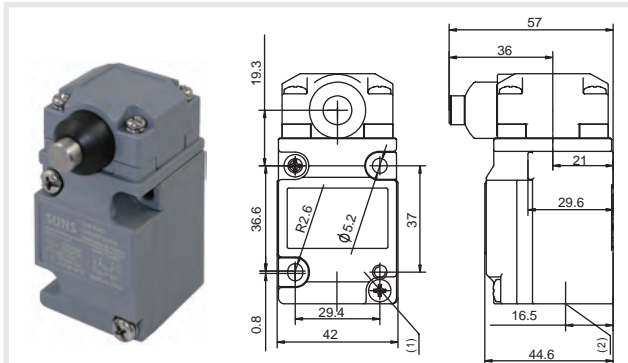
Adjustable Operating Position (OP)



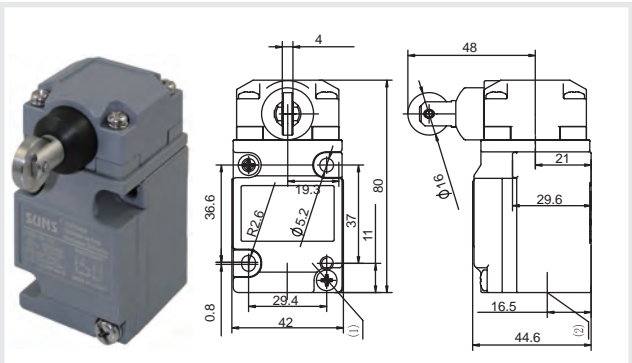
Order Code
HMS-1A-13: 1NO/1NC



Order Code
HMS-1A-01: 1NO/1NC



Order Code
HMS-1A-11H: 1NO/1NC



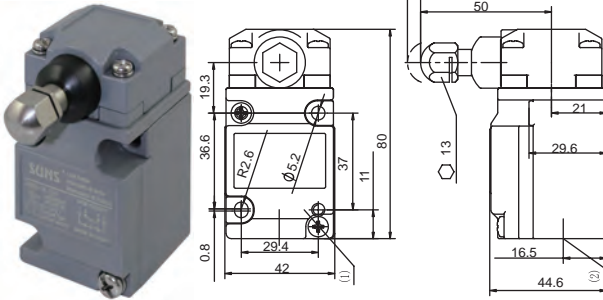
Order Code
HMS-1A-12H: 1NO/1NC
* Note: roller can be adjust to cross orientation

Note. (1) 2 x 10-24 UNC hole on the back for back side mounting.

(2) Conduit opening type: 1/2NPT

HMS Series Heavy Duty Limit Switches

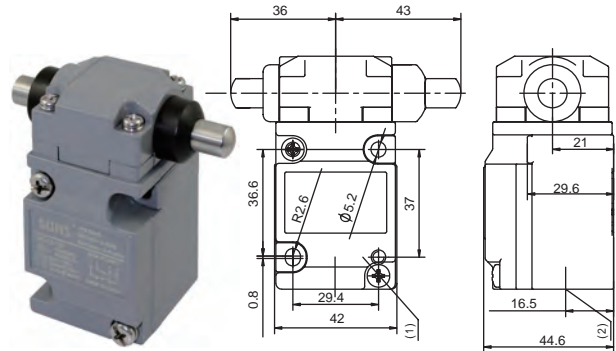
Adjustable Operating Position (OP)



Order Code

HMS-1A-13H: 1NO/1NC

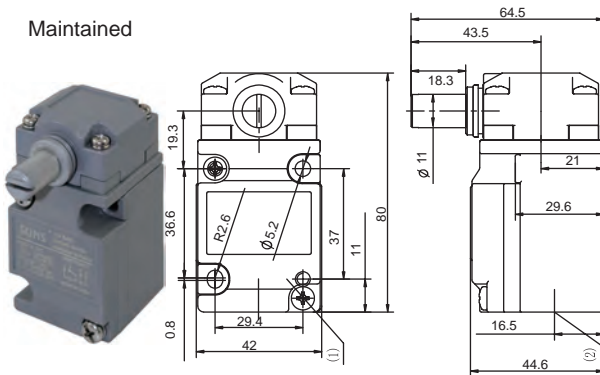
Maintained



Order Code

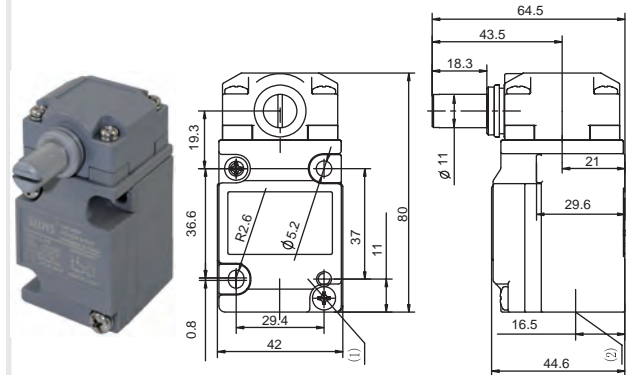
HMS-1A-10H: 1NO/1NC

Maintained



Order Code

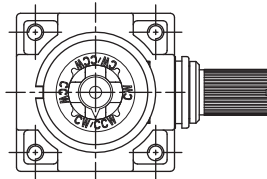
HMS-1A-04C: 1NO/1NC



Order Code

HMS-1A-04B: 1NO/1NC Standard Pretravel
 HMS-1A-04A: 1NO/1NC Low Pretravel
 HMS-1A-04N: 1NO/1NC Low Torque
 HMS-1A-04D: 1NO/1NC Low Torque, Low Pretravel

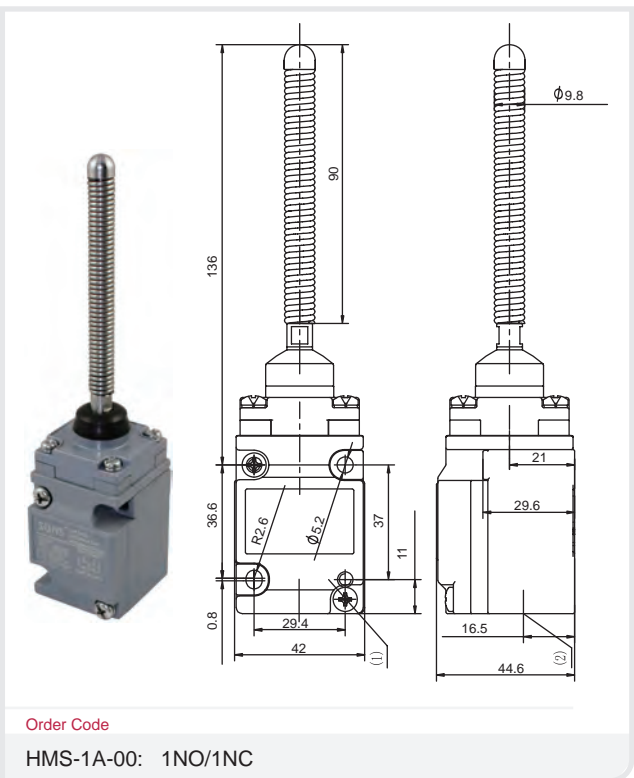
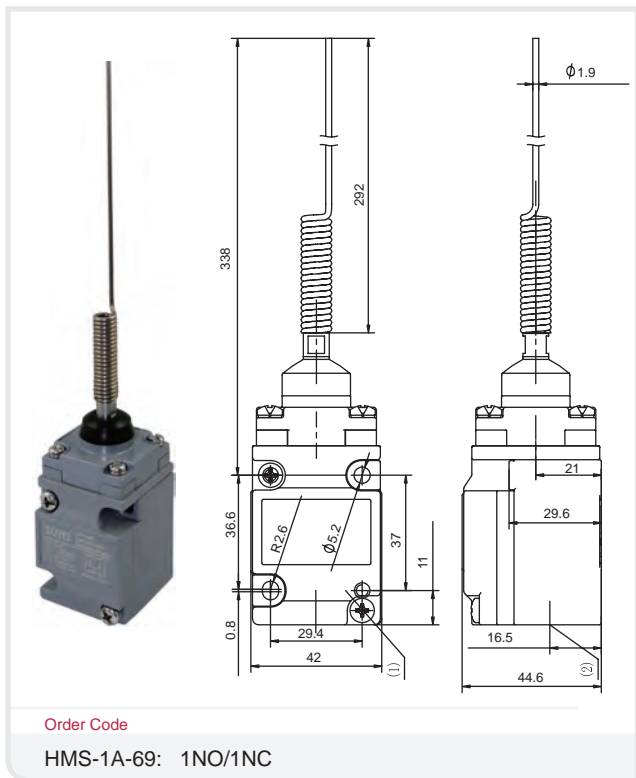
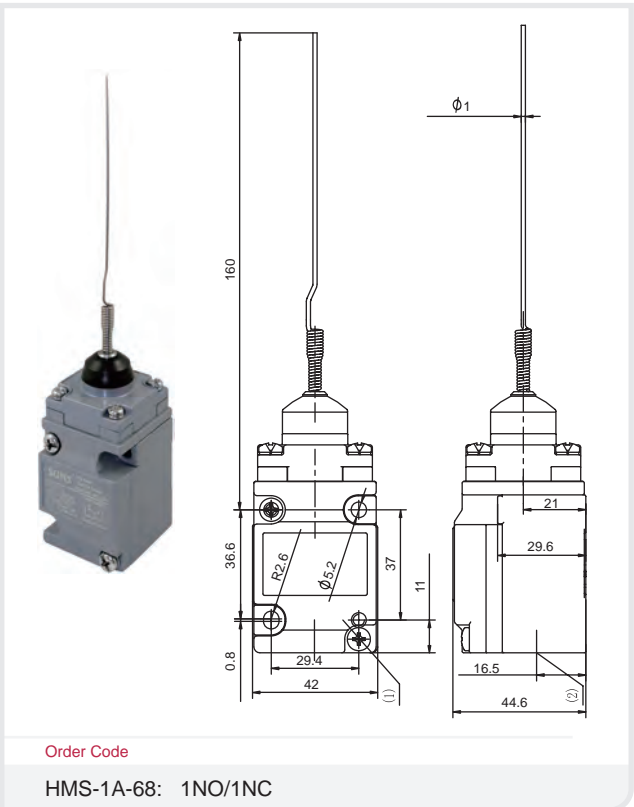
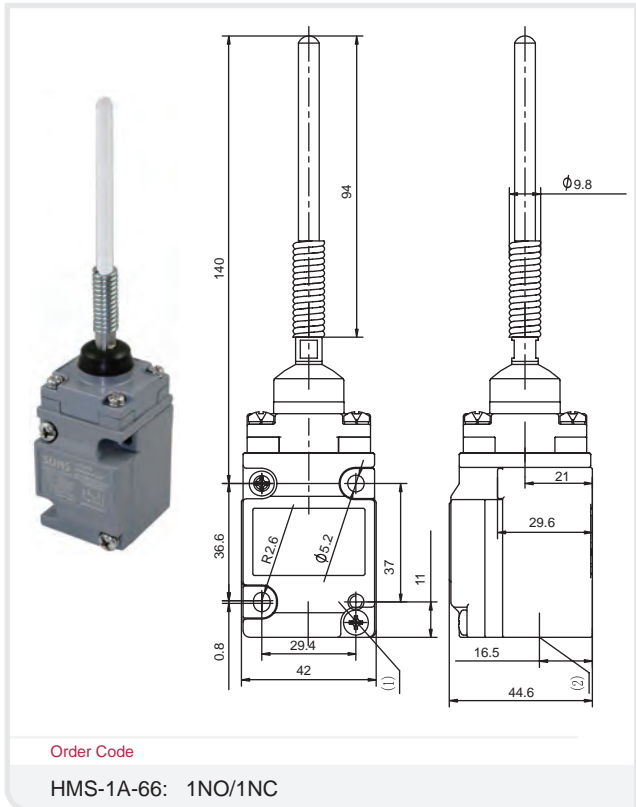
Head is factory set to operate the contacts in both the CW and CCW directions. To make change, simply pull out and rotate the arrow to the letters representing the desired direction: CW, CCW, or CW/CCW.



Note. (1) 2 x 10-24 UNC hole on the back for back side mounting.

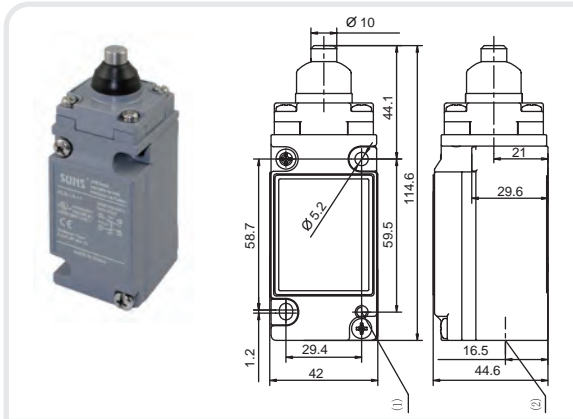
(2) Conduit opening type: 1/2NPT

HMS Series Heavy Duty Limit Switches



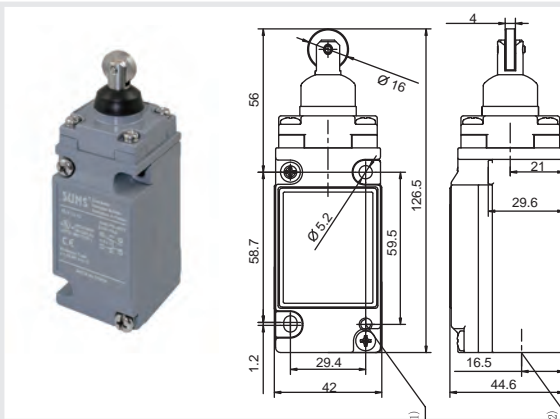
Note. (1) 2 x 10-24 UNC hole on the back for back side mounting. (2) Conduit opening type: 1/2NPT

HLS Series Heavy Duty Limit Switches



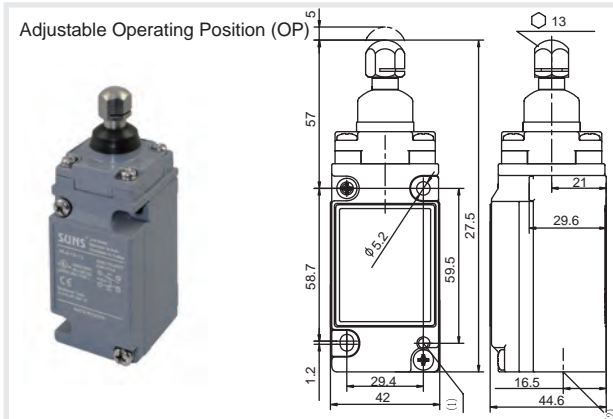
Order Code

HLS-1A-11: 1NO/1NC
 HLS-2A-11: 2NO/2NC
 HLS-3A-11: 2NO/2NC (2-stage)



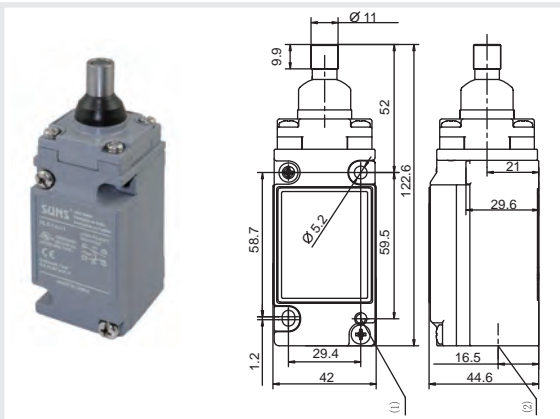
Order Code

HLS-1A-12: 1NO/1NC
 HLS-2A-12: 2NO/2NC
 HLS-3A-12: 2NO/2NC (2-stage)



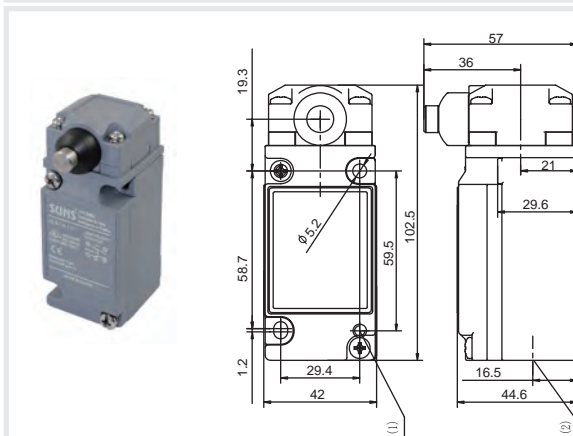
Order Code

HLS-1A-13: 1NO/1NC
 HLS-2A-13: 2NO/2NC
 HLS-3A-13: 2NO/2NC (2-stage)



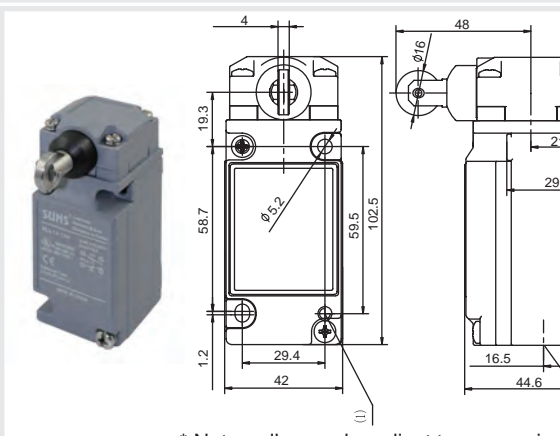
Order Code

HLS-1A-01: 1NO/1NC
 HLS-2A-01: 2NO/2NC
 HLS-3A-01: 2NO/2NC (2-stage)



Order Code

HLS-1A-11H: 1NO/1NC
 HLS-2A-11H: 2NO/2NC
 HLS-3A-11H: 2NO/2NC (2-stage)



* Note: roller can be adjust to cross orientation

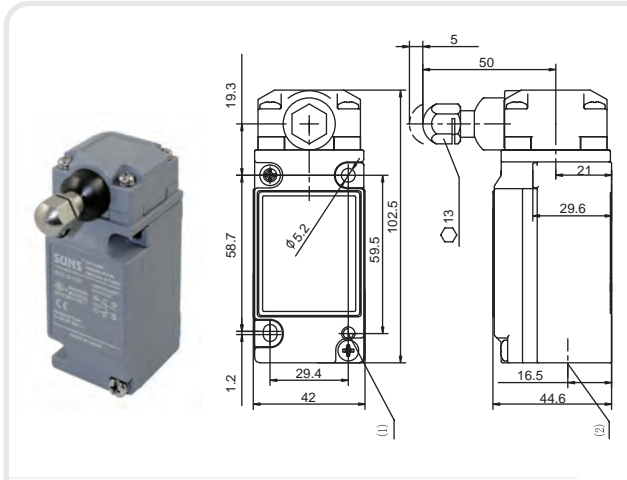
Order Code

HLS-1A-12H: 1NO/1NC
 HLS-2A-12H: 2NO/2NC
 HLS-3A-12H: 2NO/2NC (2-stage)

Note. (1) 2 x 10-24 UNC hole on the back for back side mounting.

(2) Conduit opening type: 1/2NPT

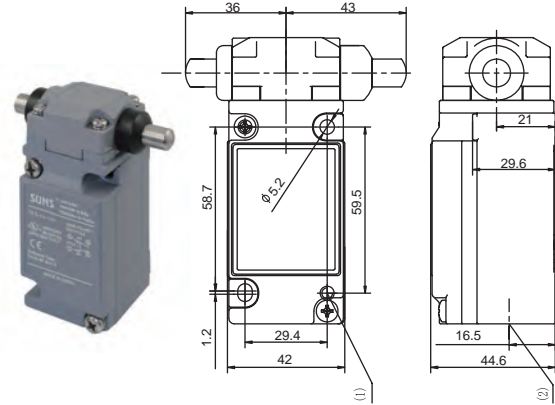
HLS Series Heavy Duty Limit Switches



Order Code

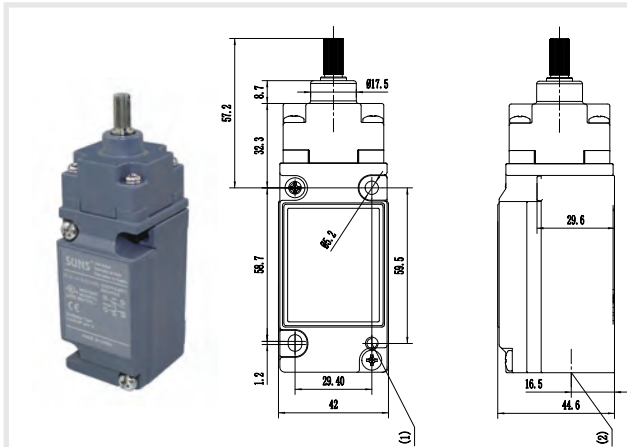
- HLS-1A-13H: 1NO/1NC
- HLS-2A-13H: 2NO/2NC
- HLS-3A-13H: 2NO/2NC (2-stage)

Maintained



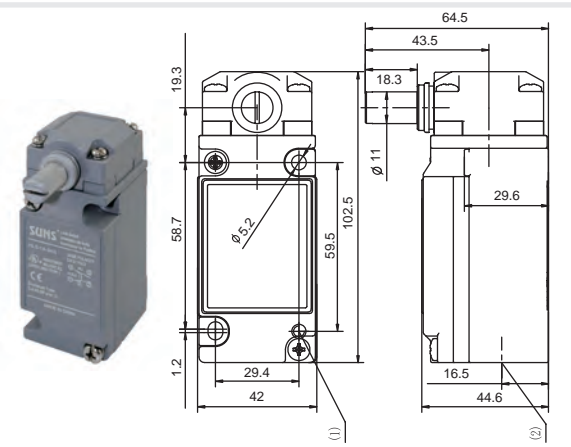
Order Code

- HLS-1A-10H: 1NO/1NC
- HLS-2A-10H: 2NO/2NC



Order Code

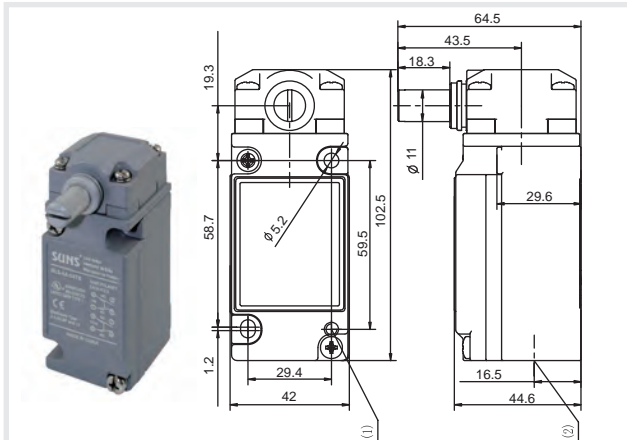
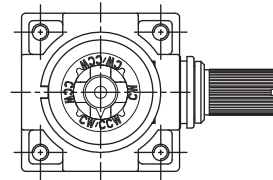
- HLS-1A-05B: 1NO/1NC
- HLS-2A-05B: 2NO/2NC



Order Code

- HLS-1A-04B: 1NO/1NC Standard Pretravel
- HLS-1A-04A: 1NO/1NC Low Pretravel
- HLS-1A-04N: 1NO/1NC Low Torque
- HLS-1A-04D: 1NO/1NC Low Torque, Low Pretravel
- HLS-2A-04B: 2NO/2NC Standard Pretravel
- HLS-2A-04A: 2NO/2NC Low Differential Travel
- HLS-2A-04N: 2NO/2NC Low Torque
- HLS-2A-04D: 2NO/2NC Low Torque, Low Pretravel
- HLS-3A-04B: 2NO/2NC (2-stage) Standard Pretravel
- HLS-3A-04A: 2NO/2NC (2-stage) Low Pretravel
- HLS-3A-04N: 2NO/2NC (2-stage) Low Torque
- HLS-3A-04D: 2NO/2NC (2-stage) Low Torque, Low Differential Travel

Head is factory set to operate the contacts in both the CW and CCW directions. To make change, simply pull out and rotate the arrow to the letters representing the desired direction: CW, CCW, or CW/CCW.



Neutral Position

- HLS-4A-04TA: 2NO/2NC (Low Pretravel)
- HLS-4A-04TB: 2NO/2NC

Maintained

- HLS-1A-04C: 1NO/1NC
- HLS-2A-04C: 2NO/2NC

Note. (1) 2 x 10-24 UNC hole on the back for back side mounting.

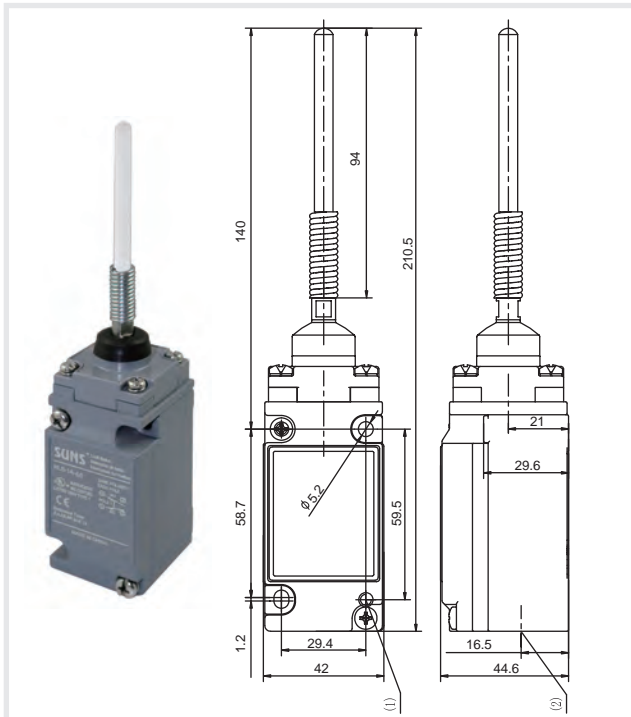
(2) Conduit opening type: 1/2NPT

HLS Series Heavy Duty Limit Switches

<p>Order Code</p> <p>HLS-1A-04E: 1NO/1NC HLS-2A-04E: 2NO/2NC HLS-3A-04E: 2NO/2NC (2-stage)</p>	<p>Order Code</p> <p>HLS-1A-04E-UR(HW): 1NO/1NC HLS-2A-04E-UR(HW): 2NO/2NC</p>

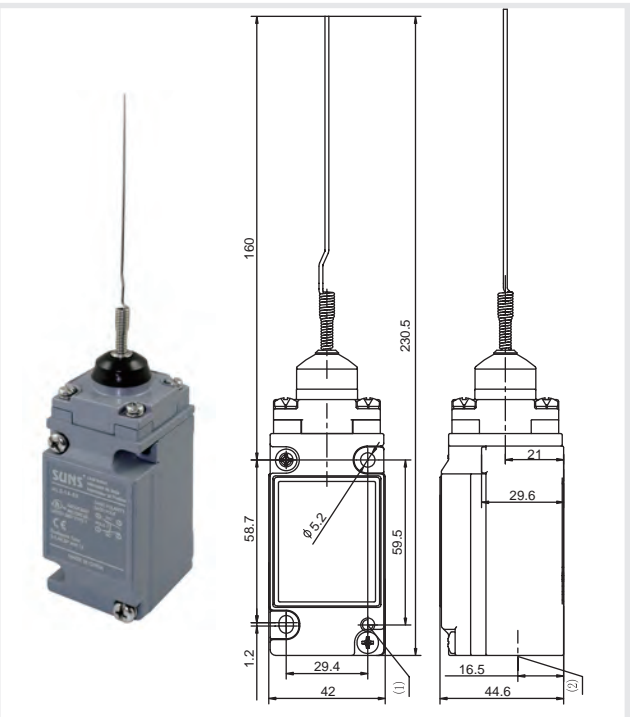
Note. (1) 2 x 10-24 UNC hole on the back for back side mounting.
 (2) Conduit opening type: 1/2 NPT
 (3) LED indicator light

HLS Series Heavy Duty Limit Switches



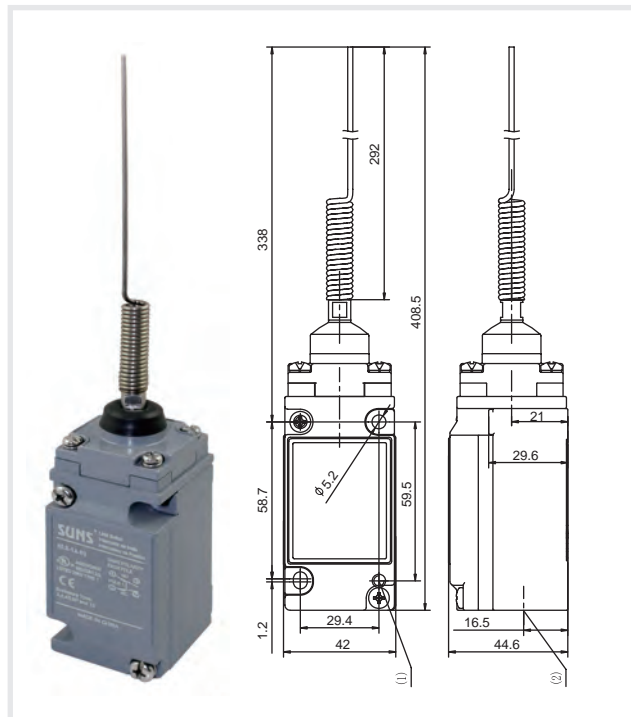
Order Code

- HLS-1A-66: 1NO/1NC
- HLS-2A-66: 2NO/2NC
- HLS-3A-66: 2NO/2NC (2-stage)



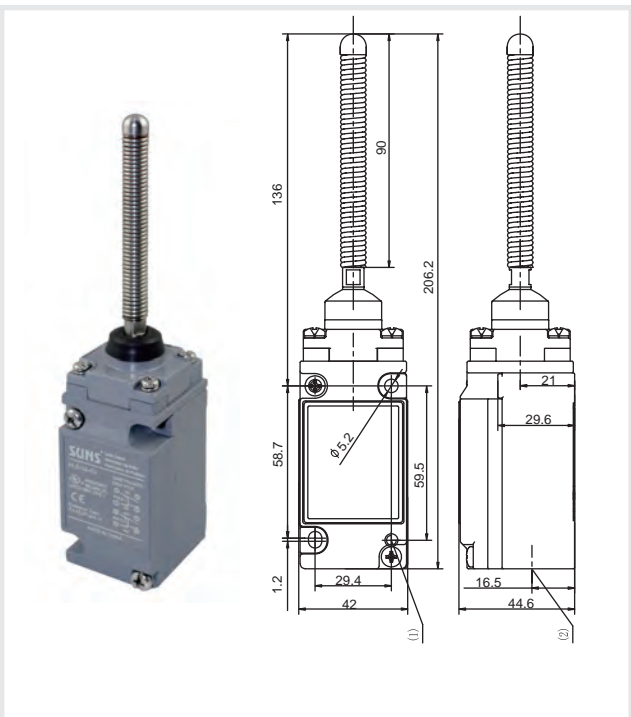
Order Code

- HLS-1A-68: 1NO/1NC
- HLS-2A-68: 2NO/2NC
- HLS-3A-68: 2NO/2NC (2-stage)



Order Code

- HLS-1A-69: 1NO/1NC
- HLS-2A-69: 2NO/2NC
- HLS-3A-69: 2NO/2NC (2-stage)



Order Code

- HLS-1A-00: 1NO/1NC
- HLS-2A-00: 2NO/2NC
- HLS-3A-00: 2NO/2NC (2-stage)

Note. (1) 2 x 10-24 UNC hole on the back for back side mounting.

(2) Conduit opening type: 1/2NPT

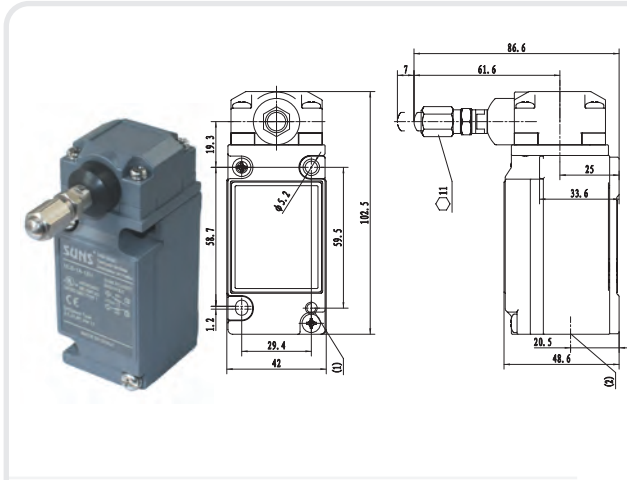
HLS (AB) Series Heavy Duty Limit Switches

<p>Order Code</p> <p>HLS-1A-11(AB): 1NO/1NC HLS-2A-11(AB): 2NO/2NC HLS-3A-11(AB): 2NO/2NC (2-stage)</p>	<p>Order Code</p> <p>HLS-1A-12(AB): 1NO/1NC HLS-2A-12(AB): 2NO/2NC HLS-3A-12(AB): 2NO/2NC (2-stage)</p>
<p>Adjustable Operating Position (OP)</p>	
<p>Order Code</p> <p>HLS-1A-13(AB): 1NO/1NC HLS-2A-13(AB): 2NO/2NC HLS-3A-13(AB): 2NO/2NC (2-stage)</p>	<p>Order Code</p> <p>HLS-1A-01(AB): 1NO/1NC HLS-2A-01(AB): 2NO/2NC HLS-3A-01(AB): 2NO/2NC (2-stage)</p>
<p>Order Code</p> <p>HLS-1A-11H(AB): 1NO/1NC HLS-2A-11H(AB): 2NO/2NC HLS-3A-11H(AB): 2NO/2NC (2-stage)</p>	<p>Order Code</p> <p>HLS-1A-12H(AB): 1NO/1NC HLS-2A-12H(AB): 2NO/2NC HLS-3A-12H(AB): 2NO/2NC (2-stage)</p>

* Note: roller can be adjust to cross orientation

Note. (1) 2 x 10-24 UNC hole on the back for back side mounting. (2) Conduit opening type: 1/2NPT

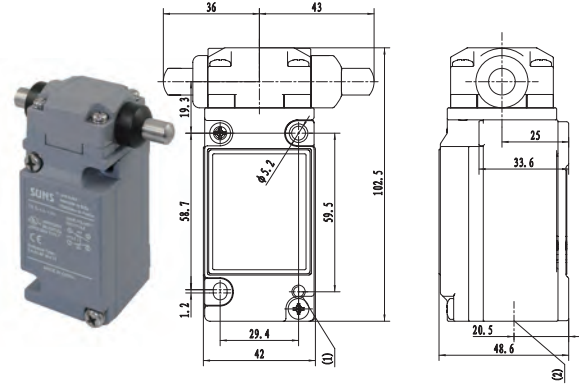
HLS(AB) Series Heavy Duty Limit Switches



Order Code

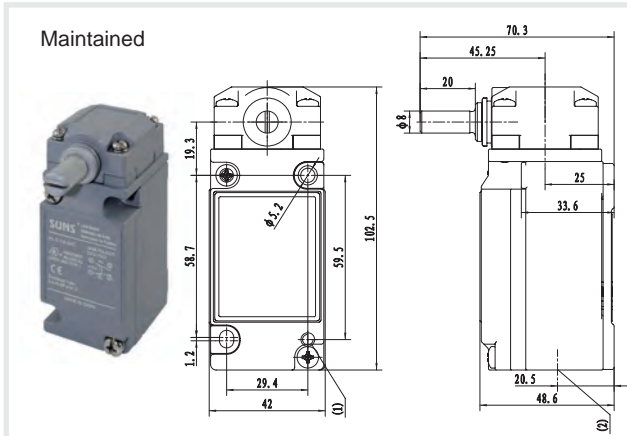
- HLS-1A-13H(AB): 1NO/1NC
- HLS-2A-13H(AB): 2NO/2NC
- HLS-3A-13H(AB): 2NO/2NC (2-stage)

Maintained



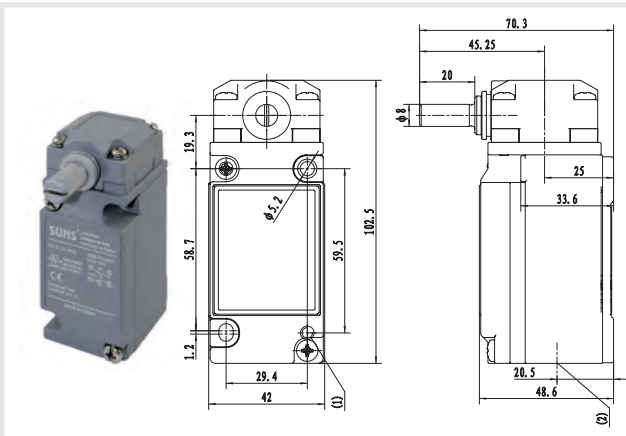
Order Code

- HLS-1A-10H(AB): 1NO/1NC
- HLS-2A-10H(AB): 2NO/2NC



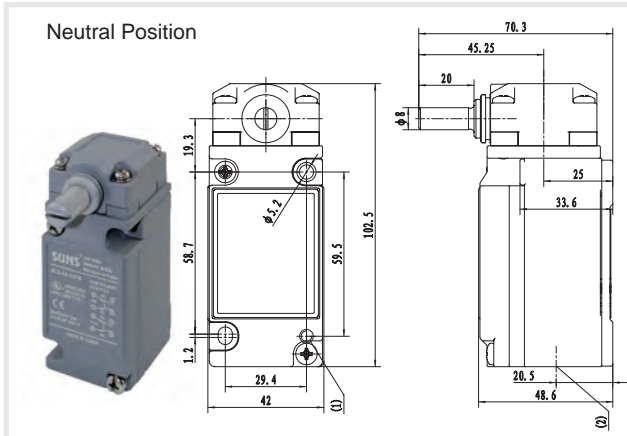
Order Code

- HLS-1A-04C(AB): 1NO/1NC
- HLS-2A-04C(AB): 2NO/2NC



Order Code

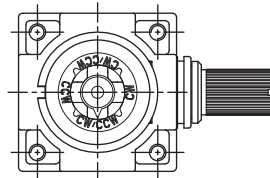
- HLS-1A-04B(AB): 1NO/1NC Standard Pretravel
- HLS-1A-04A(AB): 1NO/1NC Low Pretravel
- HLS-1A-04N(AB): 1NO/1NC Low Torque
- HLS-1A-04D(AB): 1NO/1NC Low Torque, Low Pretravel
- HLS-2A-04B(AB): 2NO/2NC Standard Pretravel
- HLS-2A-04A(AB): 2NO/2NC Low Differential Travel
- HLS-2A-04N(AB): 2NO/2NC Low Torque
- HLS-2A-04D(AB): 2NO/2NC Low Torque, Low Pretravel
- HLS-3A-04B(AB): 2NO/2NC (2-stage) Standard Pretravel
- HLS-3A-04A(AB): 2NO/2NC (2-stage) Low Pretravel
- HLS-3A-04N(AB): 2NO/2NC (2-stage) Low Torque
- HLS-3A-04D(AB): 2NO/2NC (2-stage) Low Torque, Low Differential Travel



Order Code

- HLS-4A-04TA(AB): 2NO/2NC (Low Pretravel)
- HLS-4A-04TB(AB): 2NO/2NC

Head is factory set to operate the contacts in both the CW and CCW directions. To make change, simply pull out and rotate the arrow to the letters representing the desired direction: CW, CCW, or CW/CCW.



Note. (1) 2 x 10-24 UNC hole on the back for back side mounting. (2) Conduit opening type: 1/2NPT

HLS (AB) Series Heavy Duty Limit Switches

Order Code
 HLS-1A-66(AB): 1NO/1NC
 HLS-2A-66(AB): 2NO/2NC
 HLS-3A-66(AB): 2NO/2NC (2-stage)

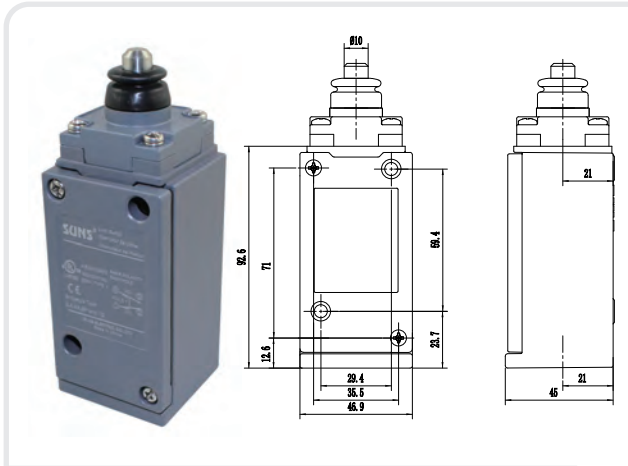
Order Code
 HLS-1A-68(AB): 1NO/1NC
 HLS-2A-68(AB): 2NO/2NC
 HLS-3A-68(AB): 2NO/2NC (2-stage)

Order Code
 HLS-1A-69(AB): 1NO/1NC
 HLS-2A-69(AB): 2NO/2NC
 HLS-3A-69(AB): 2NO/2NC (2-stage)

Order Code
 HLS-1A-00(AB): 1NO/1NC
 HLS-2A-00(AB): 2NO/2NC
 HLS-3A-00(AB): 2NO/2NC (2-stage)

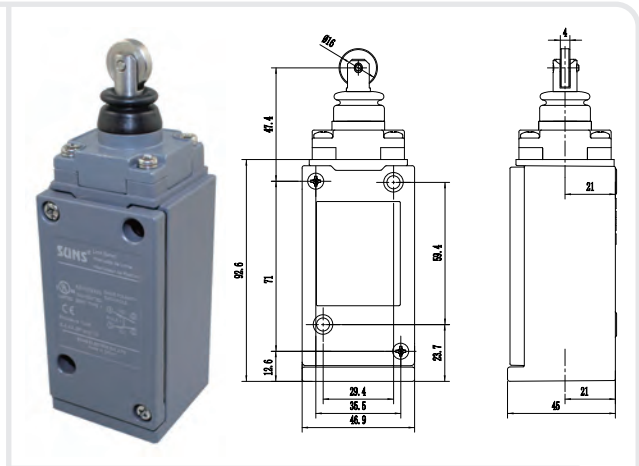
Note. (1) 2 x 10-24 UNC hole on the back for back side mounting. (2) Conduit opening type: 1/2NPT

HMS Series Heavy Duty Limit Switches



Order Code

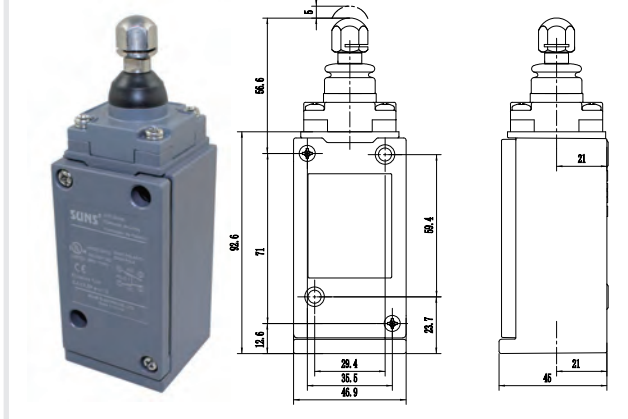
HNS-1A-11: 1NO/1NC



Order Code

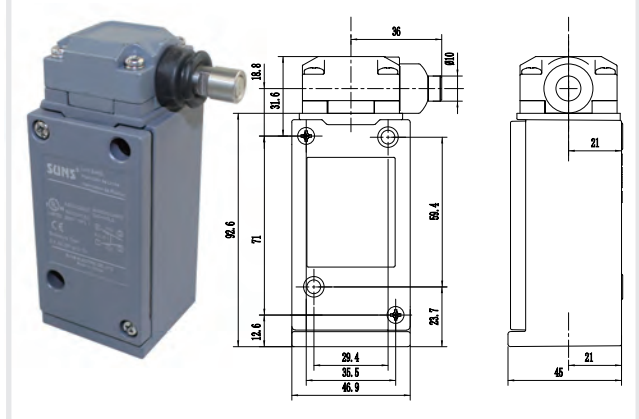
HNS-1A-12: 1NO/1NC

Adjustable Operating Position (OP)



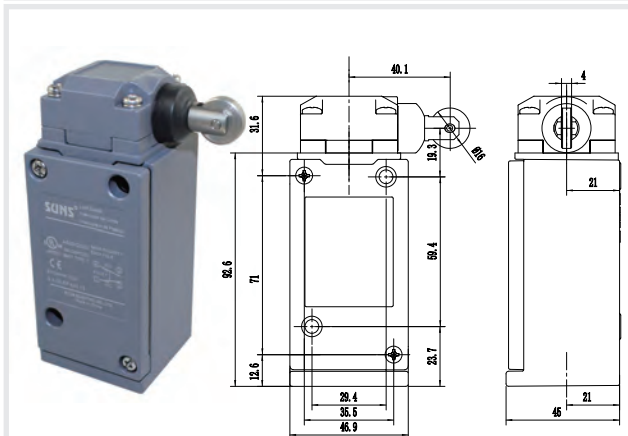
Order Code

HNS-1A-13: 1NO/1NC



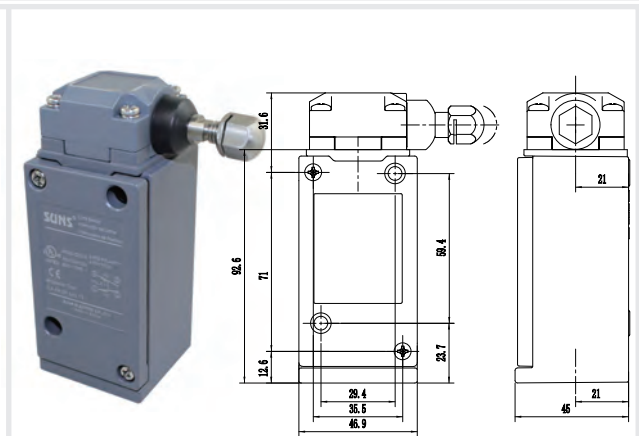
Order Code

HNS-1A-11H: 1NO/1NC



Order Code

HNS-1A-12H: 1NO/1NC



Order Code

HNS-1A-13H: 1NO/1NC

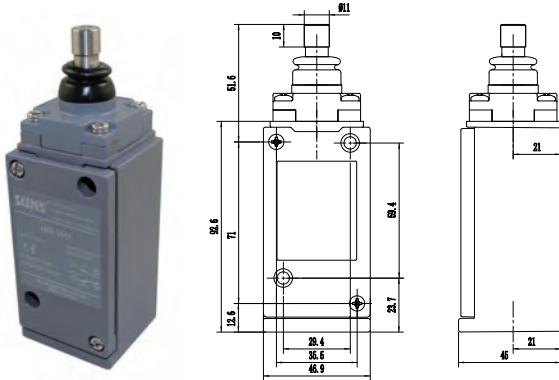
* Note: roller can be adjust to cross orientation

Note. (1) 2 x 10-24 UNC hole on the back for back side mounting.

(2) Conduit opening type: 1/2NPT

HNS Series Heavy Duty Limit Switches

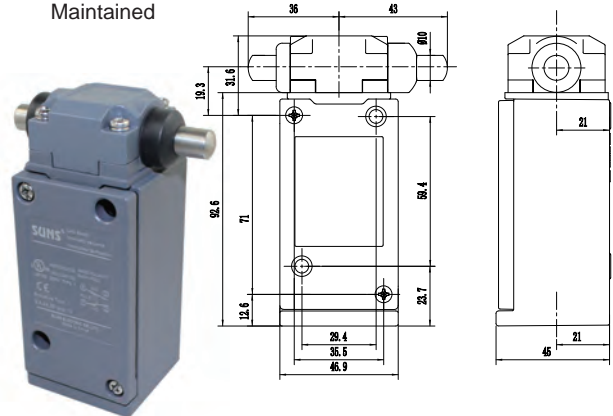
Adjustable Operating Position (OP)



Order Code

HNS-1A-01: 1NO/1NC

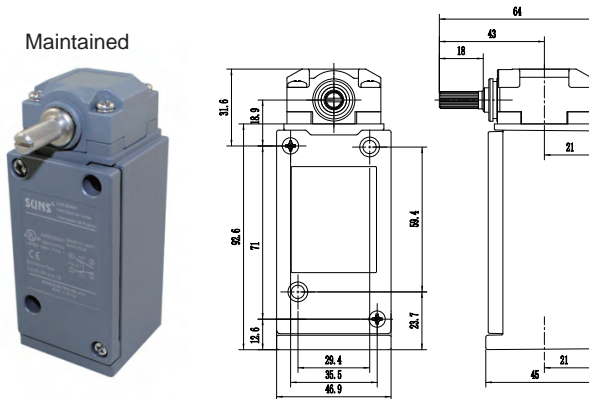
Maintained



Order Code

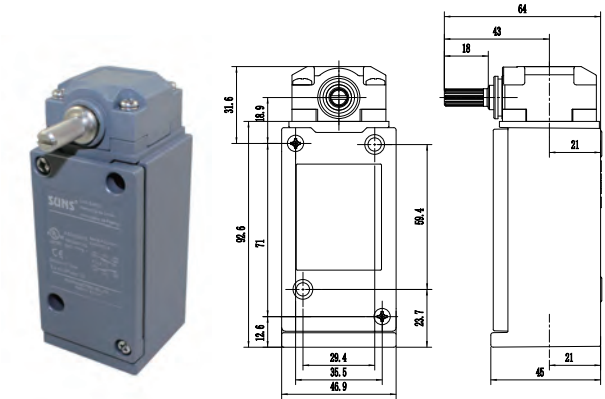
HNS-1A-10H: 1NO/1NC

Maintained



Order Code

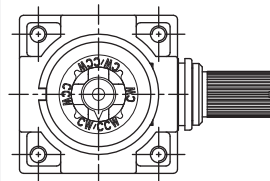
HNS-1A-04C: 1NO/1NC



Order Code

HNS-1A-04B: 1NO/1NC Standard Pretravel
 HNS-1A-04A: 1NO/1NC Low Pretravel
 HNS-1A-04N: 1NO/1NC Low Torque
 HNS-1A-04D: 1NO/1NC Low Torque, Low Pretravel

Head is factory set to operate the contacts in both the CW and CCW directions. To make change, simply pull out and rotate the arrow to the letters representing the desired direction: CW, CCW, or CW/CCW.

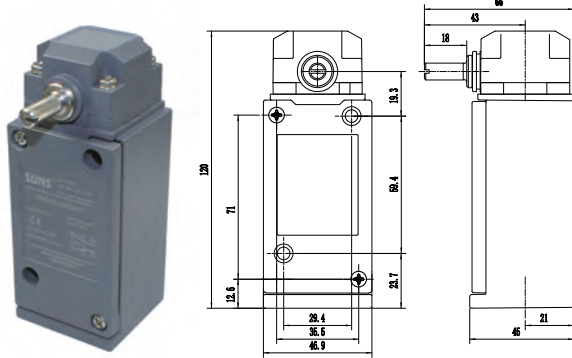


Note. (1) 2 x 10-24 UNC hole on the back for back side mounting.

(2) Conduit opening type: 1/2NPT

HNS Series Heavy Duty Limit Switches

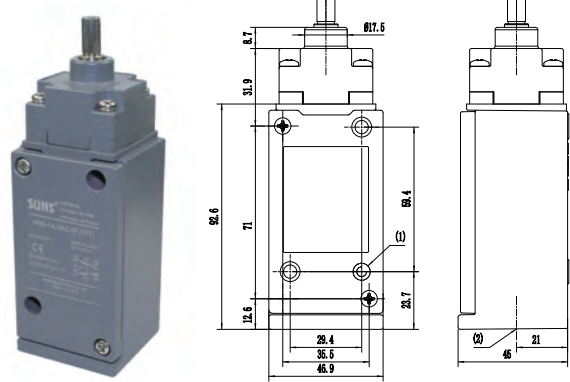
Adjustable Operating Position (OP)



Order Code

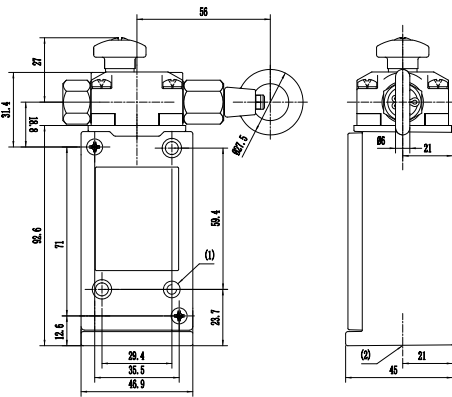
HNS-1A-04E: 1NO/1NC

Maintained



Order Code

HNS-1A-05B: 1NO/1NC



Order Code

HNS-1A-70: 1NO/1NC

Note. (1) 2 x 10-24 UNC hole on the back for back side mounting.

(2) Conduit opening type: 1/2NPT

HNS Series Heavy Duty Limit Switches

Order Code
HNS-1A-66: 1NO/1NC

Order Code
HNS-1A-68: 1NO/1NC

Order Code
HNS-1A-69: 1NO/1NC

Order Code
HNS-1A-00: 1NO/1NC

Note. (1) 2 x 10-24 UNC hole on the back for back side mounting. (2) Conduit opening type: 1/2NPT

HES Series Heavy Duty Limit Switches for Hazardous Location (EEX)

Features

- Heavy duty zinc die cast body
- Conform to EN 60947-5-1, IEC 60947-5-1, UL508, NEMA250, CSA22.2 Standards
- Wide range of actuator available
- High repeatability (0.03mm for linear travel)

Specifications

Operating Speed	0.05mm-2m/sec
Rated Current/Voltage	10A/600V AC (EN60947-5-1) AC15 A600 / DC13 Q300
Service Life	Mechanically 10 millions (operations) Electrically 1 million (operations)
Operating Temperature	-28.9~+85°C (-20~185°F)
Vibration Resistance	25gn (10..150 Hz, 11ms) per IEC60068-2-6
Shock Resistance	60gn (9ms) per IEC 60068-2-27
Dielectric Strength	2200VAC for 1 minute
Short Circuit Protection	10A fuse
Terminal Wire Size	12-22AWG (2.05-0.644mm ²)
Degree of Protection	IP 67 conforming to IEC 60529, NEMA Types 2, 4, 6, 6P, 12, 13

Electrical Ratings

IEC 60947-5-1 / EN 90947-5-1								
Designation & Utilization Category	Rated operational current Ie (A) at rated operational voltage Ue					VA rating		
	Make	Break						
AC15 A600	120V	240V	380V	480V	600V	7200	720	
	6A	3A	1.9A	1.5A	1.2A			
DC13 Q300	125VDC	250VDC					69	69
	0.55	0.27						

HES HAZARDOUS LOCATION RATINGS: CLASS I DIV GROUPS B,C,D
CLASS II DIV GROUPS E,F,G

* Wider operating temperature models are available. Please contact us.

Selection Guide:

HES	1	A	04	A	-	F	-
Body Styles	Contact Block	1/2NPT Conduit (Contact us for other types)	Head Style	Applied on to Lever Arms Style		Rubber seal type	Rotary head shaft diameter
	1: SPDT (1NO/1NC) Snap action			B: Standard		Blank: Standard	Blank: 11.0mm
	2: DPDT (2NO/2NC) Snap action			A: High precision		F: Fluorite Rubber	(AB): 8.0mm
	3: DPDT (2NO/2NC) 2 stages			N: Low torque			(CH): 7.0mm
	4: DPDT (2NO/2NC) center neutral operation		2 digit or 2 digit + 1 letter	D: High precision low torque			(HW): 7.3mm
				C: Maintained			
				TB: Neutral Position			
				TA: Neutral Position (High Precision)			

HES Series Heavy Duty Limit Switches for Hazardous Location (EEX)

Plunger type

01 Styles



12 Styles



11 Styles



13 Styles



05 Styles



Side Plunger type

11H Styles



12H Styles



13H Styles



Side Plunger (Maintained) type

10H Styles



Spring coil type



00

66

69

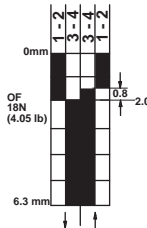
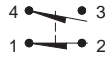
Cat Whisker type

68 Styles



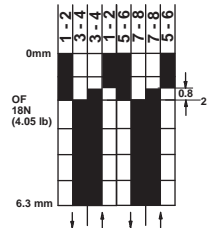
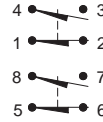
HES-1A

1NO/1NC



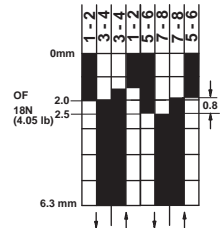
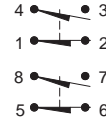
HES-2A

2NO/2NC

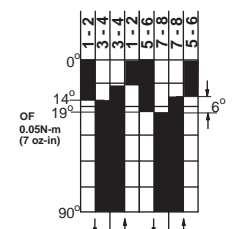
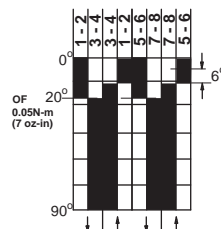
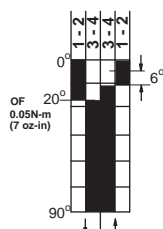
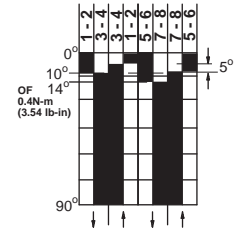
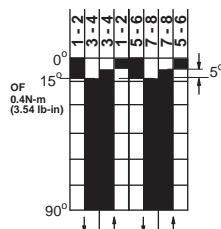
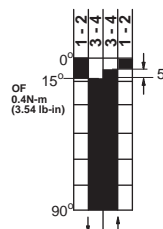
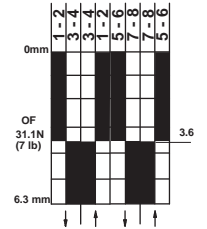
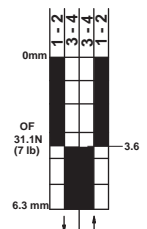
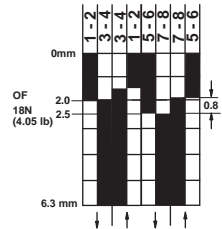
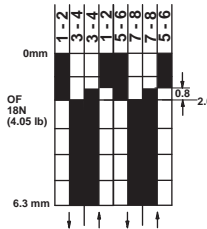
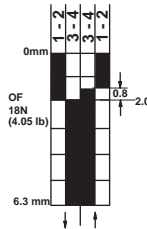


HES-3A

2NO/2NC(2-stages)

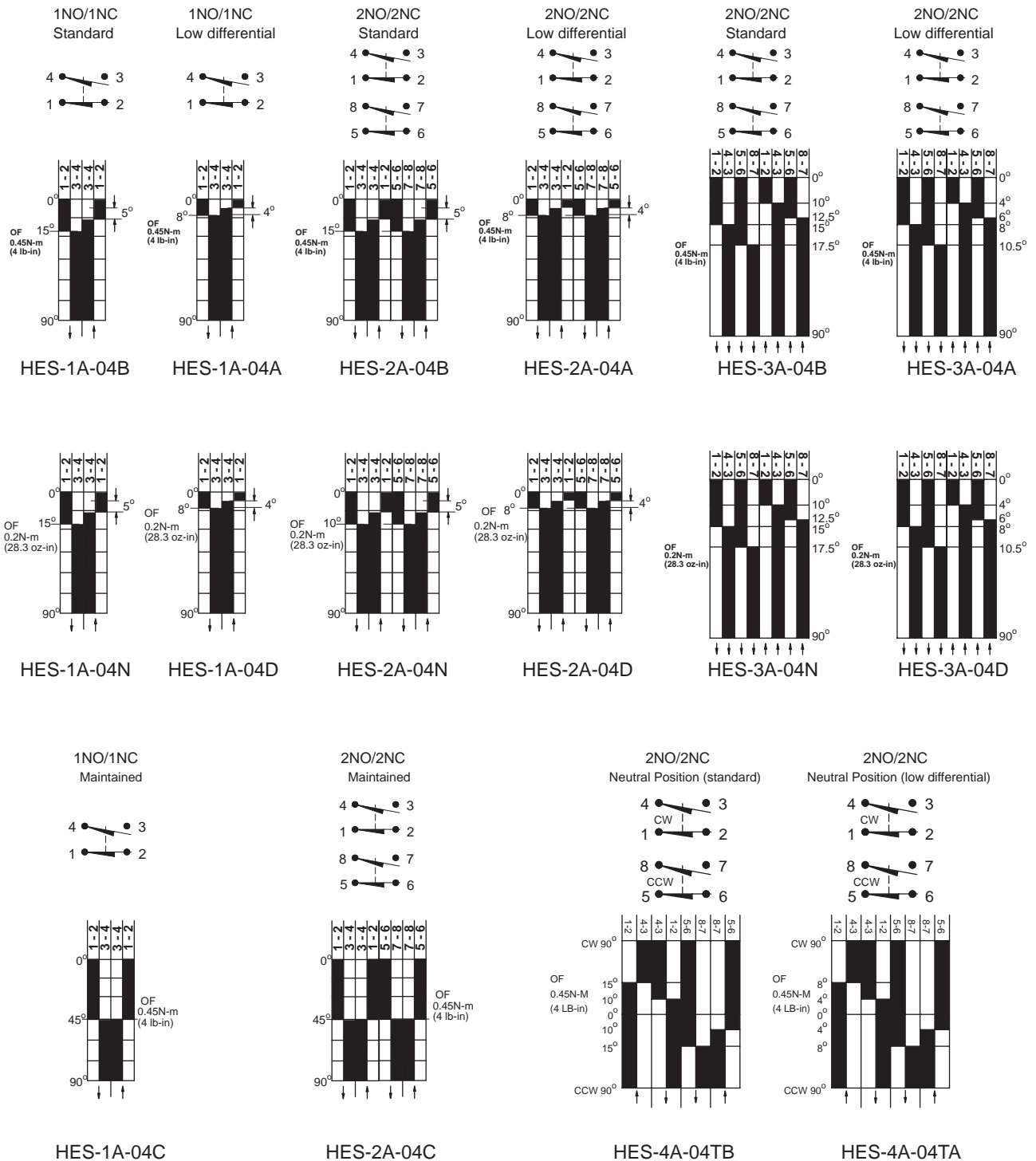


* Note: Operating Force (OF) is 31.1N(7 lb) for Plunger type 01 style.

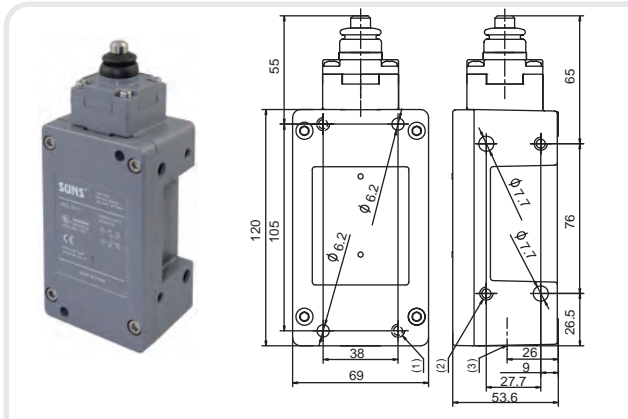


HES Series Heavy Duty Limit Switches for Hazardous Location (EEX)

Travel Diagram for Rotary Lever Styles

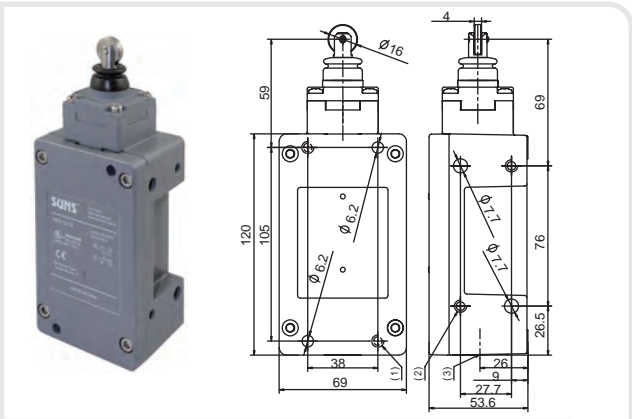


HES Series Heavy Duty Limit Switches for Hazardous Location (EEX)



Order Code

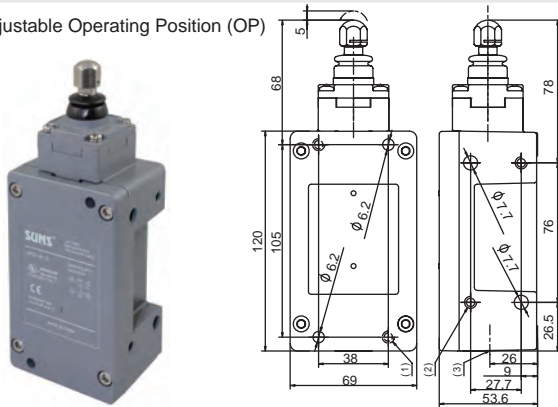
- HES-1A-11: 1NO/1NC
- HES-2A-11: 2NO/2NC
- HES-3A-11: 2NO/2NC (2-stage)



Order Code

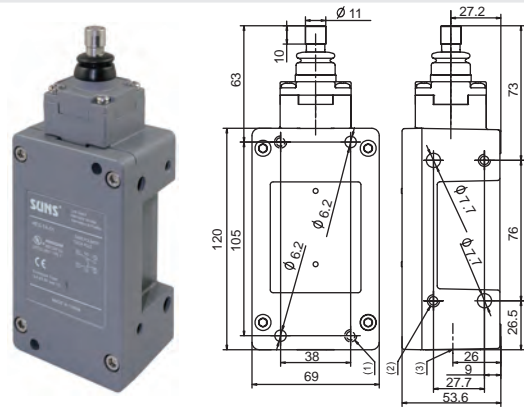
- HES-1A-12: 1NO/1NC
- HES-2A-12: 2NO/2NC
- HES-3A-12: 2NO/2NC (2-stage)

Adjustable Operating Position (OP)



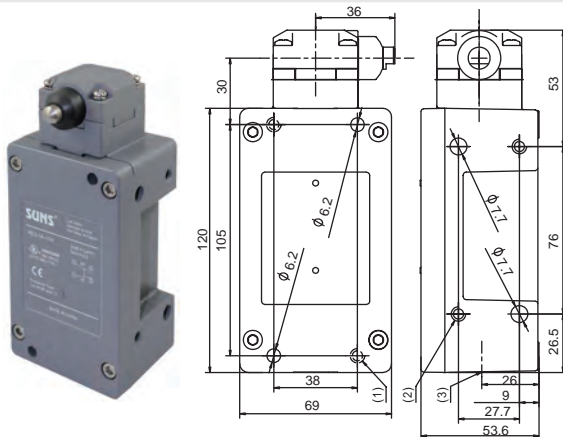
Order Code

- HES-1A-13: 1NO/1NC
- HES-2A-13: 2NO/2NC
- HES-3A-13: 2NO/2NC (2-stage)



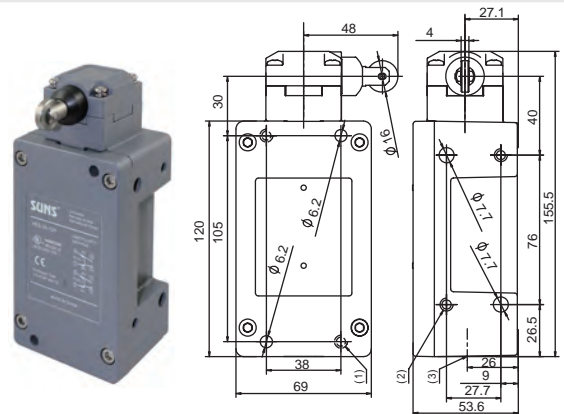
Order Code

- HES-1A-01: 1NO/1NC
- HES-2A-01: 2NO/2NC
- HES-3A-01: 2NO/2NC (2-stage)



Order Code

- HES-1A-11H: 1NO/1NC
- HES-2A-11H: 2NO/2NC
- HES-3A-11H: 2NO/2NC (2-stage)



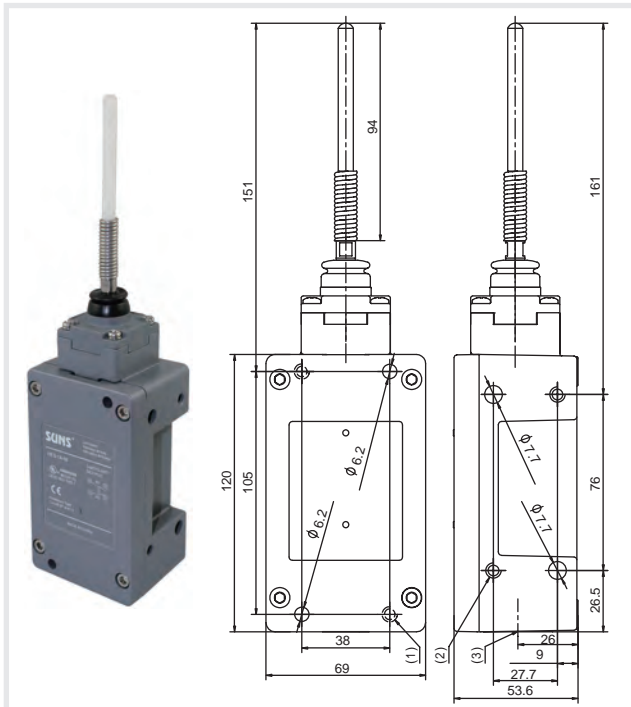
Order Code

- HES-1A-12H: 1NO/1NC
- HES-2A-12H: 2NO/2NC
- HES-3A-12H: 2NO/2NC (2-stage)

* Note: roller can be adjust to cross orientation

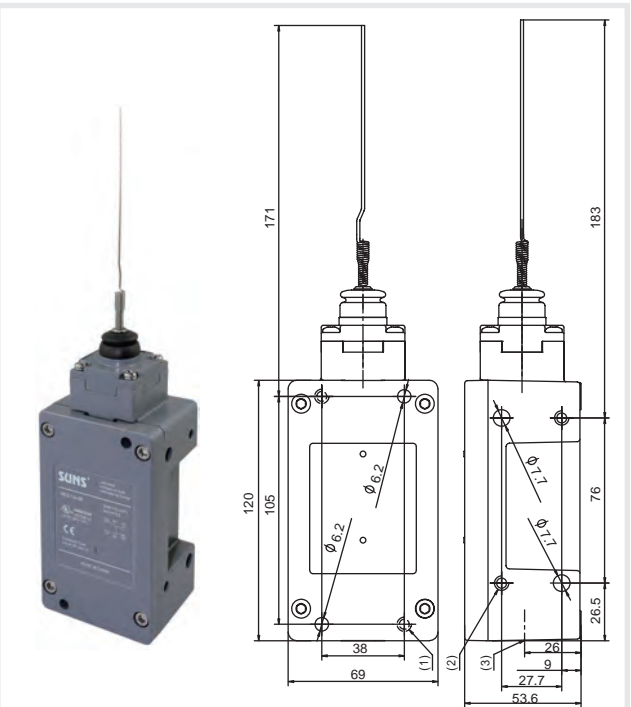
* Note: 1) 2 x 1/4-20UNT (depth 0.63") for back side mounting
 2) 2 x 1/4-20UNT (depth 0.32") on the side for side mounting
 3) Conduit opening: 1/2NPT (standard), 3/4NPT on special request.

HES Series Heavy Duty Limit Switches for Hazardous Location (EEX)



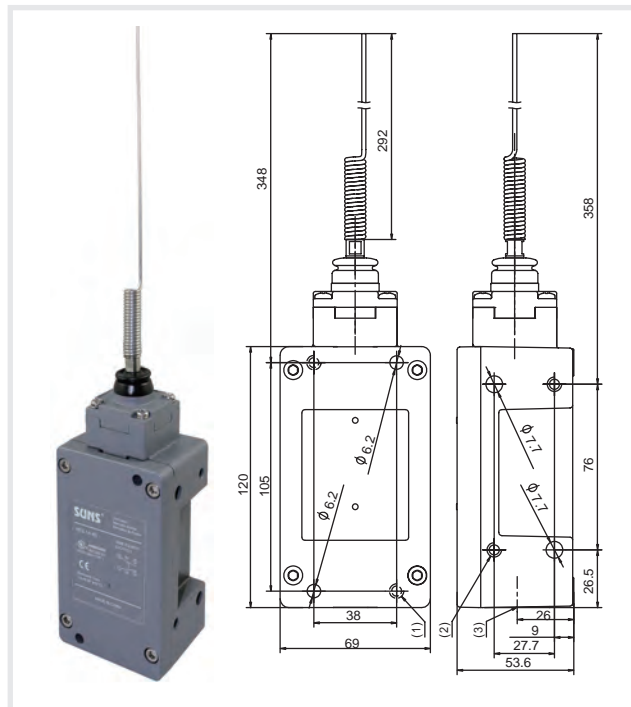
Order Code

- HES-1A-66: 1NO/1NC
- HES-2A-66: 2NO/2NC
- HES-3A-66: 2NO/2NC (2-stage)



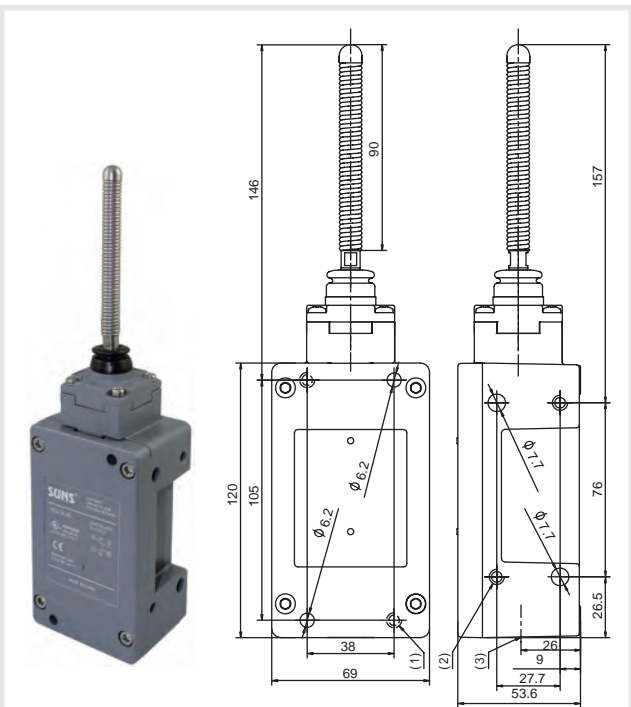
Order Code

- HES-1A-68: 1NO/1NC
- HES-2A-68: 2NO/2NC
- HES-3A-68: 2NO/2NC (2-stage)



Order Code

- HES-1A-69: 1NO/1NC
- HES-2A-69: 2NO/2NC
- HES-3A-69: 2NO/2NC (2-stage)



Order Code

- HES-1A-00: 1NO/1NC
- HES-2A-00: 2NO/2NC
- HES-3A-00: 2NO/2NC (2-stage)

* Note: 1) 2 x 1/4-20UNT (depth 0.63") for back side mounting
 2) 2 x 1/4-20UNT (depth 0.32") on the side for side mounting
 3) Conduit opening: 1/2NPT (standard), 3/4NPT on special request.

Levers for Rotary Heads (HMS/HLS/HNS/HES Heavy Duty Limit Switches)



Cast Aluminum Lever Arms with Roller

Add '-P' suffix for nylon roller (following part numbers are with steel roller)

Arm Length in. (mm)	Roller Diameter in. (mm)	Roller Width in. (mm)	Part Number
1.38 (35)	0.75 (19)	0.25 (6.3)	H-04B1
		0.63 (16)	H-04B2
	0.63 (16)	0.25 (6.3)	H-04B3
		0.63 (16)	H-04B4
		1 (25.4)	H-04B5
1.5 (38)	0.75 (19)	0.25 (6.3)	H-04C1
		0.63 (16)	H-04C2
	0.63 (16)	0.25 (6.3)	H-04C3
		0.63 (16)	H-04C4
		1 (25.4)	H-04C5
		1.97 (50)	H-4C5
2 (51)	0.75 (19)	0.25 (6.3)	H-04D1
		0.63 (16)	H-04D2
	0.63 (16)	0.25 (6.3)	H-04D3
		0.63 (16)	H-04D4
2.5 (63.5)	0.75 (19)	0.25 (6.3)	H-04E1
		0.63 (16)	H-04E2
	0.63 (16)	0.25 (6.3)	H-04E3
		0.63 (16)	H-04E4
3 (76)	0.75 (19)	0.25 (6.3)	H-04F1
		0.63 (16)	H-04F2
	0.63 (16)	0.25 (6.3)	H-04F3
		0.63 (16)	H-04F4

* Mounting hole center to roller center distance

90° Forked Cast Aluminum Lever Arms with Roller

Add '-P' suffix for nylon roller (following part numbers are with steel roller)



Arm Length in. (mm)	Roller			Part Number
	Roller Position	Diameter in. (mm)	Width in. (mm)	
1.5 (38)	Rollers on same side	0.75 (19)	0.25 (6.3)	H-05-1
		0.63 (16)	0.25 (6.3)	H-05-3
	R.H. Rollers on opposite side	0.75 (19)	0.25 (6.3)	H-05-1RH
		0.63 (16)	0.25 (6.3)	H-05-3RH
	L.H. Rollers on opposite side	0.75 (19)	0.25 (6.3)	H-05-1LH
		0.63 (16)	0.25 (6.3)	H-05-3LH

* Mounting hole center to roller center distance

Adjustable Length Lever Arm with Steel Roller



Lever Length in. (mm)	Roller Dia. in. (mm)	Roller Width in. (mm)	Part Number
Non-bendable, adjustable from 22-101mm	0.63 (16)	0.25 (6.3)	H-08-3
	0.63 (16)	0.63 (16)	H-08-4
	0.75 (19)	0.25 (6.3)	H-08-5
Bendable, adjustable from 22-101mm	0.63 (16)	0.25 (6.3)	H-08B-3
	0.63 (16)	0.63 (16)	H-08B-4
	0.75 (19)	0.25 (6.3)	H-08B-5

Adjustable Length Lever Arm with Nylon Roller

Lever Length in. (mm)	Roller Dia. in. (mm)	Roller Width in. (mm)	Part Number
Non-bendable, adjustable from 22-101mm	0.63 (16)	0.25 (6.3)	H-08-3P
	1 (25.4)	0.63 (16)	H-08-5P
	0.75 (19)	0.25 (6.3)	H-08-7P
Bendable, adjustable from 22-101mm	0.63 (16)	0.25 (6.3)	H-08B-3P
	1.0 (25.4)	0.63 (16)	H-08B-5P
	2 (51)	0.25 (6.3)	H-08B-6P

* Mounting hole center to roller center distance

* For used with 11mm shaft (suffix blank); 7.0mm and 7.3mm shaft (suffix -HW); and 8.0mm shaft (suffix -AB)

Levers for Rotary Heads (HMS/HLS/HES Heavy Duty Limit Switches)

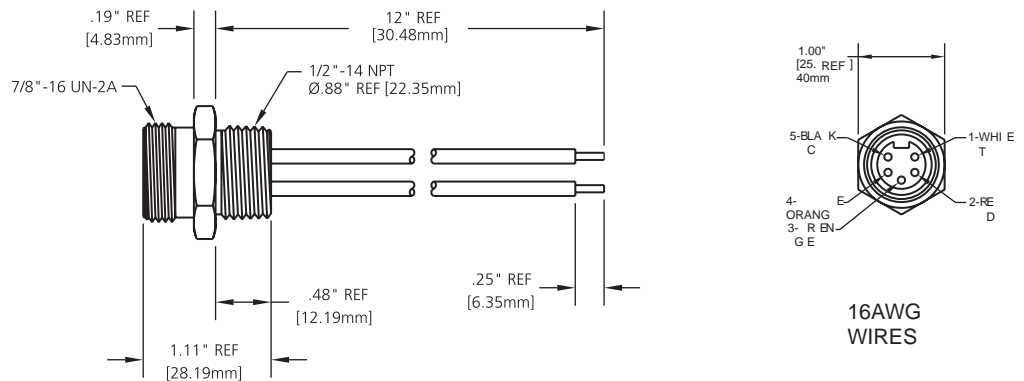


Rod Type Lever Arms

Description	Length in. (mm)	Part Number
Stainless Steel Rod	10 (254)	H-07-10
Spring Rod, Steel	12 (304)	H-07S-12
Spring Rod, Delrin	12 (304)	H-07P-12
Looped Delrin Rod Arm	160MM(6.31N.)	H-06
Looped Delrin Rod Arm	228MM(9IN.)	H-09

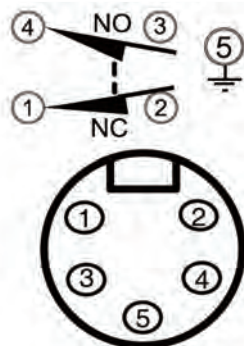
* For used with 11mm shaft (suffix blank); 7.0mm shaft (suffix -CH); 7.3mm shaft (suffix -HW) and 8.0mm shaft (suffix -AB)

NPT12-16-5P MALE STRAIGHT WITH 1/2" - 14NPT THREADS (5-PIN)

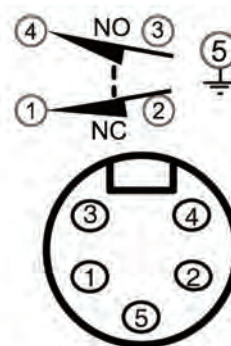


For prewired limit switches with NPT-12-16-5P connector, add -Q1 or -Q9 suffix

-Q1: wiring diagram



-Q9: wiring diagram



HEX Series Heavy Duty Limit Switches for Hazardous Location (EEX)

Features

- Aluminum die cast body or corrosion-resistant stainless steel body
- Conform to EN 60947-5-1, IEC 60947-5-1, UL508, NEMA250, CSA22.2 Standards
- Wide range of actuator available
- High repeatability (0.03mm for linear travel)

Electrical Ratings

IEC 60947-5-1 / EN 90947-5-1							
Designation & Utilization Category	Rated operational current Ie (A) at rated operational voltage Ue					VA rating	
	120V	240V	380V	480V	600V	Make	Break
AC15 A600	6A	3A	1.9A	1.5A	1.2A	7200	720
DC13 Q300	125VDC 250VDC 0.55 0.27					69	69

Specifications

Operating Speed	0.05mm-2m/sec
Rated Current/Voltage	10A/600V AC (EN60947-5-1) AC15 A600 / DC13 Q300
Service Life	Mechanically 10 millions (operations) Electrically 1 million (operations)
Operating Temperature	-28.9~+85°C (-20~185°F)
Vibration Resistance	25gn (10..150 Hz, 11ms) per IEC60068-2-6
Shock Resistance	60gn (9ms) per IEC 60068-2-27
Dielectric Strength	2200VAC for 1 minute
Short Circuit Protection	10A fuse
Terminal Wire Size	12-22AWG (2.05-0.644mm ²)
Degree of Protection	IP 67 conforming to IEC 60529, NEMA Types 2, 4, 6, 6P, 12, 13
HEX HAZARDOUS LOCATION RATINGS:	CLASS I DIV GROUPS B,C,D CLASS II DIV GROUPS E,F,G CLASS III DIV 1 AND 2

* Wider operating temperature models are available. Please contact us.



Selection Guide:

HEX	S	1	A	04	A	-	F	
	Housing Material	Contact Block	Conduit	Head Style	Applied on to Lever Arms Style	Contact Material	Rubber Seal Type	Rotary Head Shaft Diameter
	Blank: Aluminum	1: SPDT (1NO/1NC) Snap action	A: 1/2NPT			Blank: Silver	Blank: Standard	Blank: 11.0mm
	S: Stainless steel	2: DPDT (2NO/2NC) Snap action	F: 3/4NPT	2 digit or 2 digit + 1 letter	B: Standard	K: Gold plated	F: Fluorite rubber	(AB): 8.0mm
		3: DPDT (2NO/2NC) 2 stages			A: High precision			(CH): 7.0mm
		4: DPDT (2NO/2NC) Center neutral operation			N: Low torque			(HW): 7.3mm
		5: DPDT (4NO) Slow action			D: High precision low torque			
		6: DPDT (3NO/1NC) Slow action			C: Maintained			
		7: DPDT (2NO/2NC) Slow action			TB: Neutral position			
		8: DPDT (1NO/3NC) Slow action			TA: Neutral position (High precision)			
		9: DPDT (4NC) Slow action						

HEX Series Heavy Duty Limit Switches for Hazardous Location (EEX)

Plunger type

01 Styles



12 Styles



11 Styles



13 Styles



Side Plunger type

11H Styles



12H Styles



13H Styles



Side Plunger (Maintained) type 10H Styles



Spring coil type



00

66

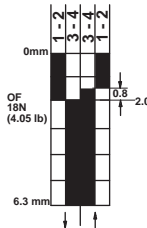
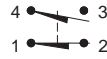
69

Cat Whisker type 68 Styles



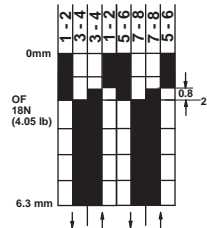
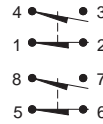
HEX-1A

1NO/1NC



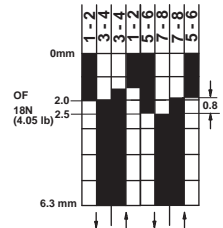
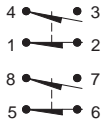
HEX-2A

2NO/2NC

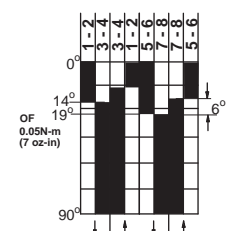
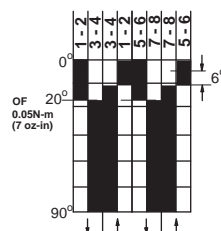
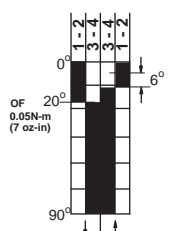
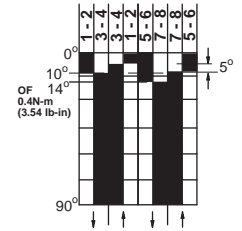
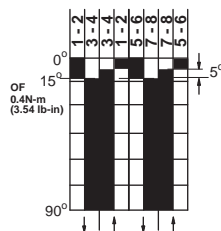
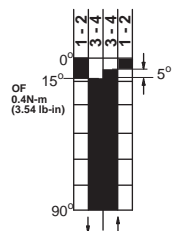
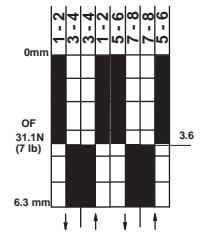
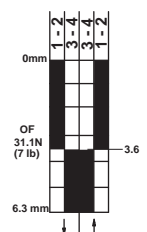
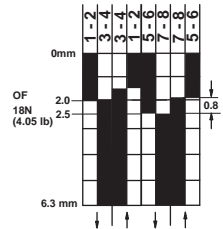
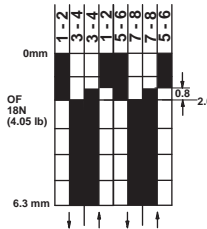
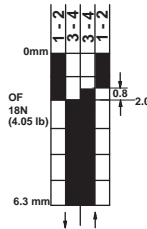


HEX-3A

2NO/2NC (2-stages)



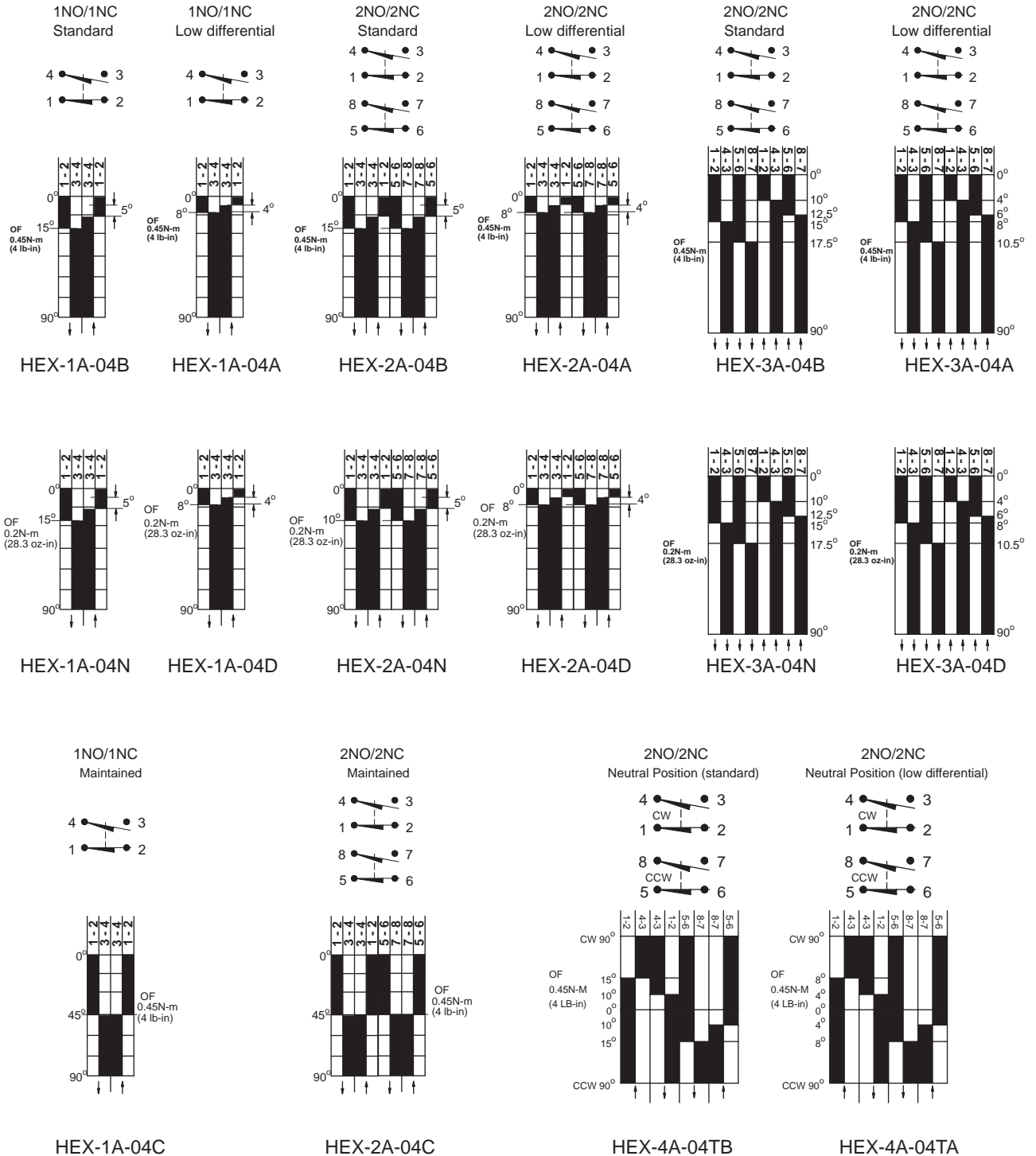
* Note: Operating Force (OF) is 31.1N(7 lb) for Plunger type 01 style.



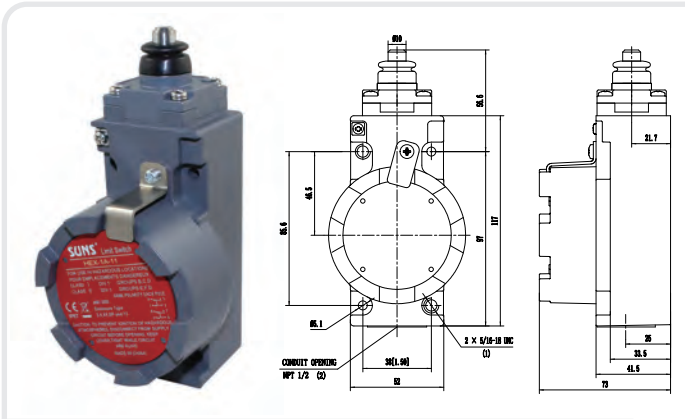
HEX Series Heavy Duty Limit Switch HEX for Hazardous Location (EEX)



Travel Diagram for Rotary Lever Styles

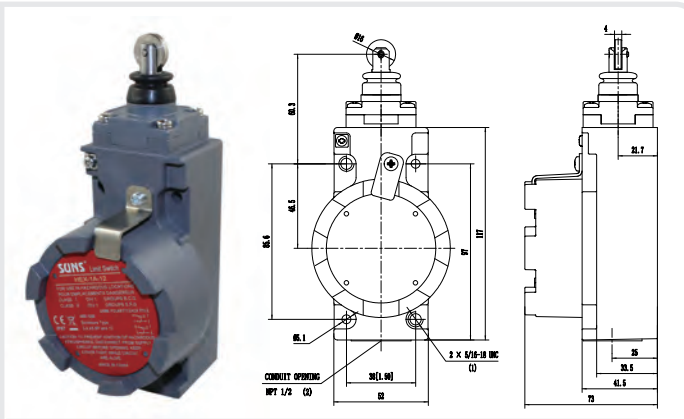


HEX Series Heavy Duty Limit Switches



Order Code

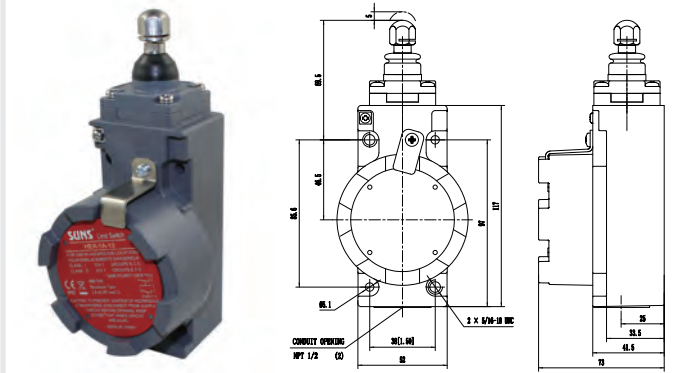
- HEX-1A-11: 1NO/1NC
- HEX-2A-11: 2NO/2NC
- HEX-3A-11: 2NO/2NC (2-stage)



Order Code

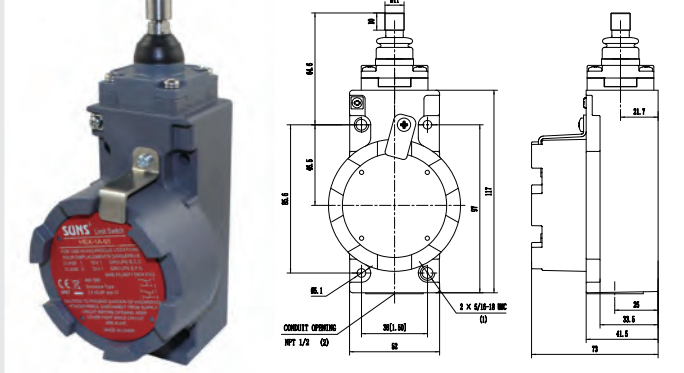
- HEX-1A-12: 1NO/1NC
- HEX-2A-12: 2NO/2NC
- HEX-3A-12: 2NO/2NC (2-stage)

Adjustable Operating Position (OP)



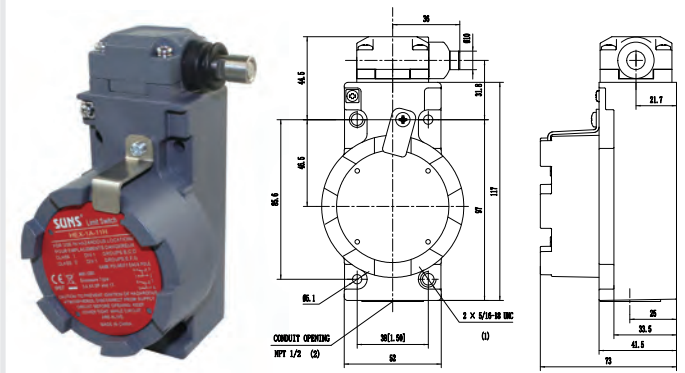
Order Code

- HEX-1A-13: 1NO/1NC
- HEX-2A-13: 2NO/2NC
- HEX-3A-13: 2NO/2NC (2-stage)



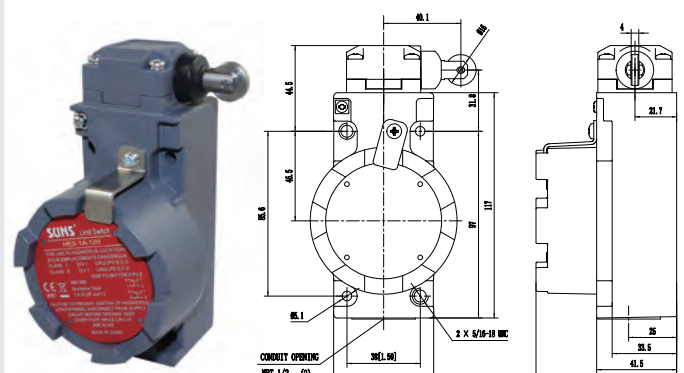
Order Code

- HEX-1A-01: 1NO/1NC
- HEX-2A-01: 2NO/2NC
- HEX-3A-01: 2NO/2NC (2-stage)



Order Code

- HEX-1A-11H: 1NO/1NC
- HEX-2A-11H: 2NO/2NC
- HEX-3A-11H: 2NO/2NC (2-stage)

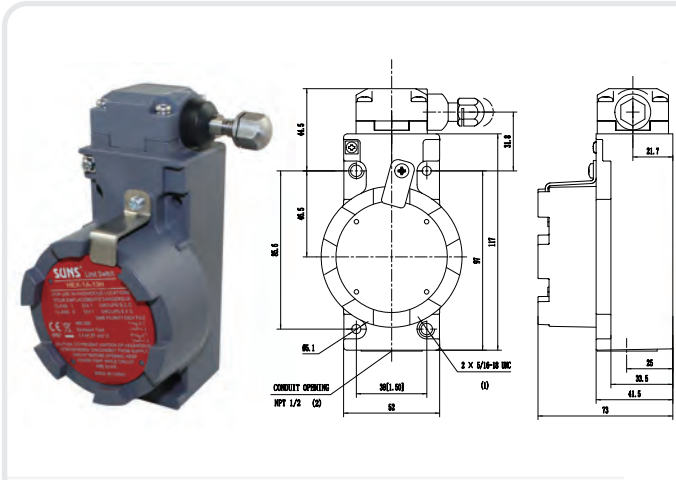


* Note: roller can be adjust to cross orientation

Order Code

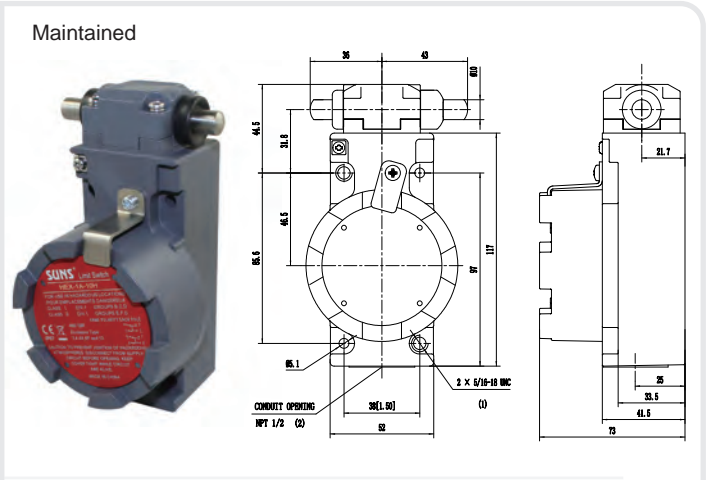
- HEX-1A-12H: 1NO/1NC
- HEX-2A-12H: 2NO/2NC
- HEX-3A-12H: 2NO/2NC (2-stage)

HEX Series Heavy Duty Limit Switches



Order Code

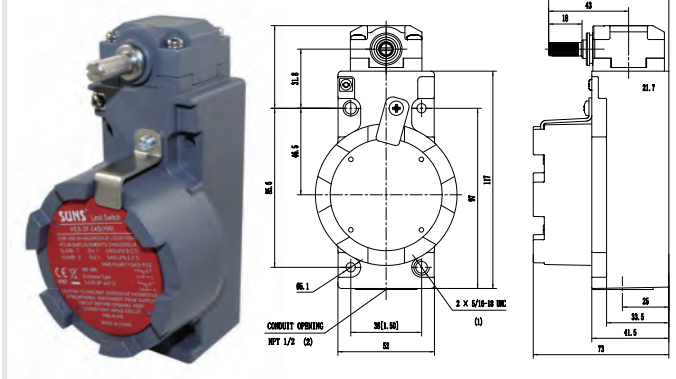
- HEX-1A-13H: 1NO/1NC
- HEX-2A-13H: 2NO/2NC
- HEX-3A-13H: 2NO/2NC (2-stage)



Order Code

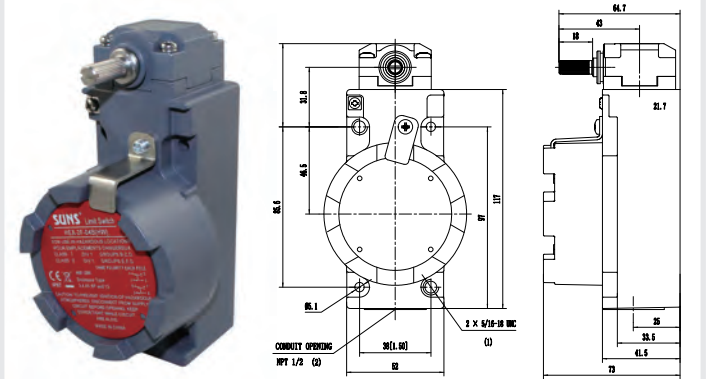
- HEX-1A-10H: 1NO/1NC
- HEX-2A-10H: 2NO/2NC

360° Rotary 4-Position Maintained



Order Code

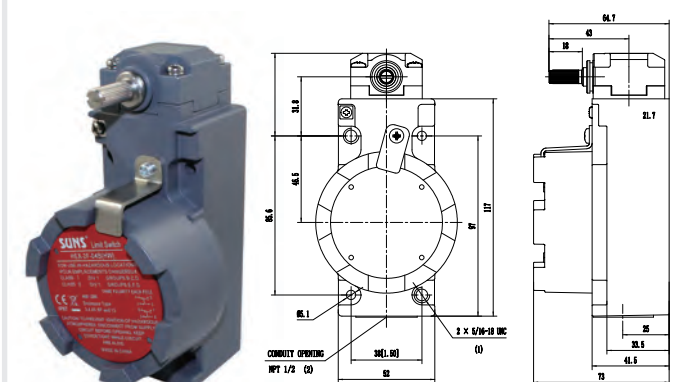
- HEX-2A-04C: 2NO/2NC



Order Code

- HEX-1A-04B: 1NO/1NC Standard Pretravel
- HEX-1A-04A: 1NO/1NC Low Pretravel
- HEX-1A-04N: 1NO/1NC Low Torque
- HEX-1A-04D: 1NO/1NC Low Torque, Low Pretravel
- HEX-2A-04B: 2NO/2NC Standard Pretravel
- HEX-2A-04A: 2NO/2NC Low Differential Travel
- HEX-2A-04N: 2NO/2NC Low Torque
- HEX-2A-04D: 2NO/2NC Low Torque, Low Pretravel
- HEX-3A-04B: 2NO/2NC (2-stage) Standard Pretravel
- HEX-3A-04A: 2NO/2NC (2-stage) Low Pretravel
- HEX-3A-04N: 2NO/2NC (2-stage) Low Torque
- HEX-3A-04D: 2NO/2NC (2-stage) Low Torque, Low Differential Travel

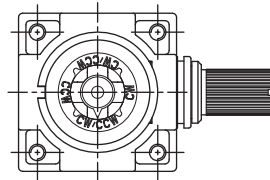
Neutral Position



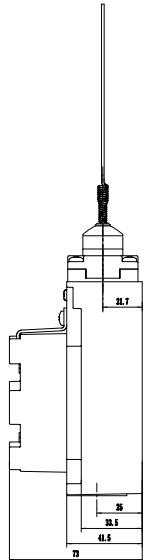
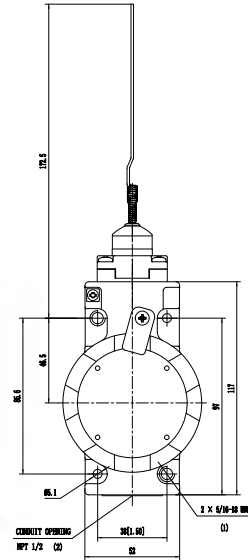
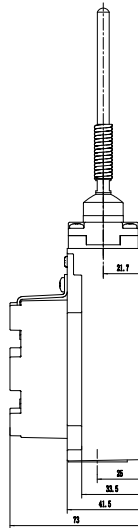
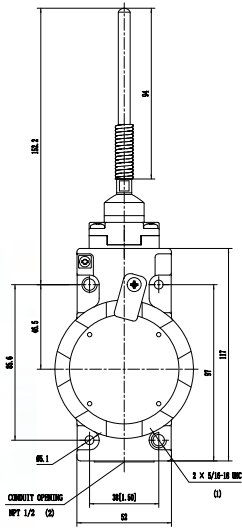
Order Code

- HEX-4A-04TA: 2NO/2NC (Low Pretravel)
- HEX-4A-04TB: 2NO/2NC

Head is factory set to operate the contacts in both the CW and CCW directions. To make change, simply pull out and rotate the arrow to the letters representing the desired direction: CW, CCW, or CW/CCW.



HEX Series Heavy Duty Limit Switches

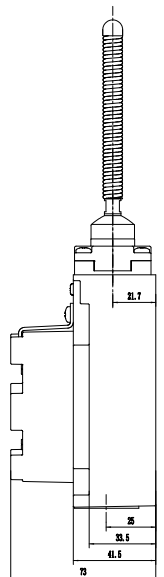
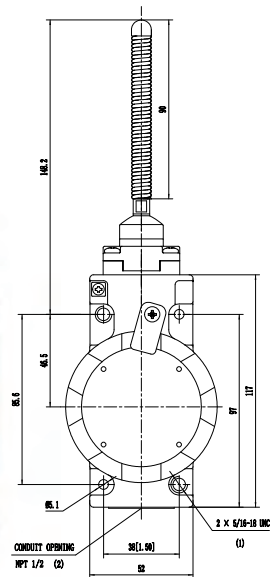
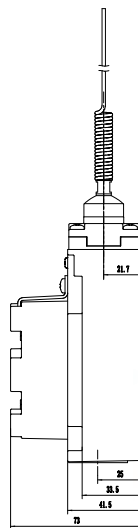
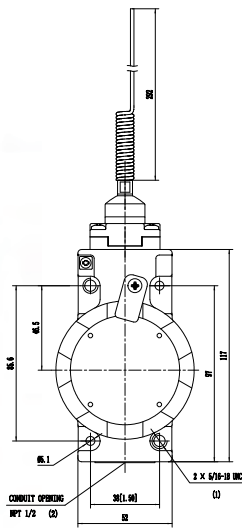


Order Code

- HEX-1A-66: 1NO/1NC
- HEX-2A-66: 2NO/2NC
- HEX-3A-66: 2NO/2NC (2-stage)

Order Code

- HEX-1A-68: 1NO/1NC
- HEX-2A-68: 2NO/2NC
- HEX-3A-68: 2NO/2NC (2-stage)



Order Code

- HEX-1A-69: 1NO/1NC
- HEX-2A-69: 2NO/2NC
- HEX-3A-69: 2NO/2NC (2-stage)

Order Code

- HEX-1A-00: 1NO/1NC
- HEX-2A-00: 2NO/2NC
- HEX-3A-00: 2NO/2NC (2-stage)

HEX Series Heavy Duty Limit Switches

<p>Order Code</p> <p>HEX-1A-05B: 1NO/1NC HEX-2A-05B: 2NO/2NC HEX-3A-05B: 2NO/2NC (2-stage)</p>	<p>Order Code</p> <p>HEX-6A-70H: 3NO/1NC HEX-7A-70H: 2NO/2NC HEX-8A-70H: 1NO/3NC</p>

HCX Series Heavy Duty Limit Switches for Hazardous Location (EEX)

Features

- Epoxy-coated aluminum body
- Weather-sealed for harsh environment
- Wide range of actuators available
- Pretravel, overtravel and actuating sequence field adjustable without tools

Specifications

Operating Speed	0.05mm-2m/sec
Service Life	Mechanically 10 millions (operations)
	Electrically 1 million (operations)
Operating Temperature	-28.9~+85°C (-20~185°F)
Vibration Resistance	25gn (10..150 Hz, 11ms) per IEC60068-2-6
Shock Resistance	60gn (9ms) per IEC 60068-2-27
Dielectric Strength	2200VAC for 1 minute
Degree of Protection	IP 67
	NEMA Types 1, 3, 4, 4X 6, 6P, 13
NEMA7	CLASS I, DIV1 & DIV2 GROUPS B,C,D
NEMA9	CLASS II DIV1 & DIV2 GROUPS E,F,G
ATEX/IEC Ex	INMETRO (Gas) II 2 G; Exd IIC T6
	INMETRO (Dust) II 2 D; Exd tD A21 T85°C

* Wider operating temperature models are available. Please contact us.

Electrical Ratings for HCX1

Operating voltage	Non-inductive load (A)				Inductive load (A)			
	Resistive load		Bulb load		Inductive load		Motor load	
	NC	NO	NC	NO	NC	NO	NC	NO
125 VAC	15	-	3	1.5	15	-	5	2.5
250 VAC	15	-	2.5	1.25	15	-	3	1.5
500 VAC	10	-	1.5	0.75	6	-	1.5	0.75
8 VDC	15	-	3	1.5	15	-	5	2.5
14 VDC	15	-	3	1.5	10	-	5	2.5
30 VDC	6	-	3	1.5	5	-	5	2.5
125 VDC	0.5	-	0.5	0.5	0.05	-	0.05	0.05
250 VDC	0.25	-	0.25	0.25	0.03	-	0.03	0.03
Inrush current	NC:30A max. NO:15A max				NC:30A approx. NO:15A max			

Electrical Ratings for HCX2

Operating voltage	Non-inductive load (A)				Inductive load (A)			
	Resistive load		Bulb load		Inductive load		Motor load	
	NC	NO	NC	NO	NC	NO	NC	NO
125 VAC	20	20	7.5	7.5	20	20	12.5	12.5
250 VAC	20	20	7.5	7.5	20	20	8.3	8.3
500 VAC	15	15	4	4	10	10	2	2
8 VDC	20	20	3	1.5	20	20	12.5	12.5
14 VDC	20	20	3	1.5	15	15	12.5	12.5
30 VDC	6	6	3	1.5	5	5	5	5
125 VDC	0.5	0.5	0.5	0.5	0.05	0.05	0.05	0.05
250 VDC	0.25	0.25	0.25	0.25	0.03	0.03	0.03	0.03
Inrush current	NC:75A max. NO:75A max				NC:75A approx. NO:75A max			

Electrical Ratings for HCXD

Rate Voltage		Non-inductive load (A)				Inductive load (A)			
		Resistive load		Bulb load		Inductive load		Motor load	
		NC	NO	NC	NO	NC	NO	NC	NO
Series connection	AC	125	10	4	2	6	5	2.5	
		250	10	2.5	1.5	6	3	1.5	
	DC	30	10	4	2	6	6	3	
		125	1	1	1	0.1	0.1	0.1	
Parallel connection	AC	250	0.6	0.6	0.6	0.05	0.05	0.05	
		125	6	3	1.5	4	4	2	
		30	6	2.5	1.25	4	2	1	
	DC	6	6	4	-	4	6	3	
		125	0.6	0.6	-	0.1	0.1	0.1	
		250	0.3	0.3	-	0.05	0.05	0.05	



HCX_1N
HCX_2N

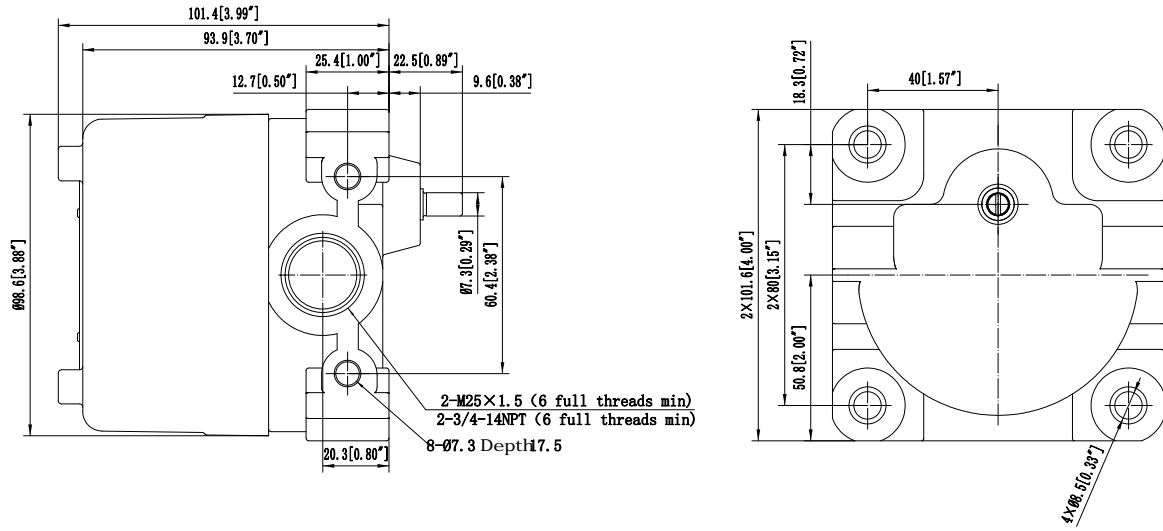


HCX_3N
HCX_4N

Selection Guide:

HCX	1	2 N	-	04	B	-	F	-	F
	Contact Block Type	# of Contact Block		Head Style	Applicable only to Lever Arms Style		Conduit Type	Mounting	Rubber Seal Type
	1: 15A SPDT (1NO/1NC) Snap action	1: One contact block			B: Standard		F: 3/4NPT	Blank: Non-threaded thru holes	Blank: Standard
	2: 20A SPDT (1NO/1NC) Snap action	2: Two contact blocks			N: Low torque		M: M25	A: Side mounting 5/16-8(8)	F: Fluorite Rubber
	D: 10A DPDT (2NO/2NC) Snap action	3: Three contact blocks			C: Maintained			B: Thru mounting, 3/8-24(4)	
	S: 15A DPDT (2NO/2NC) Hermetically sealed	4: Four contact blocks		2 digit or 2 digit + 1 letter	TB: Neutral position				

HCX Series Heavy Duty Limit Switches for Hazardous Location (EEX)

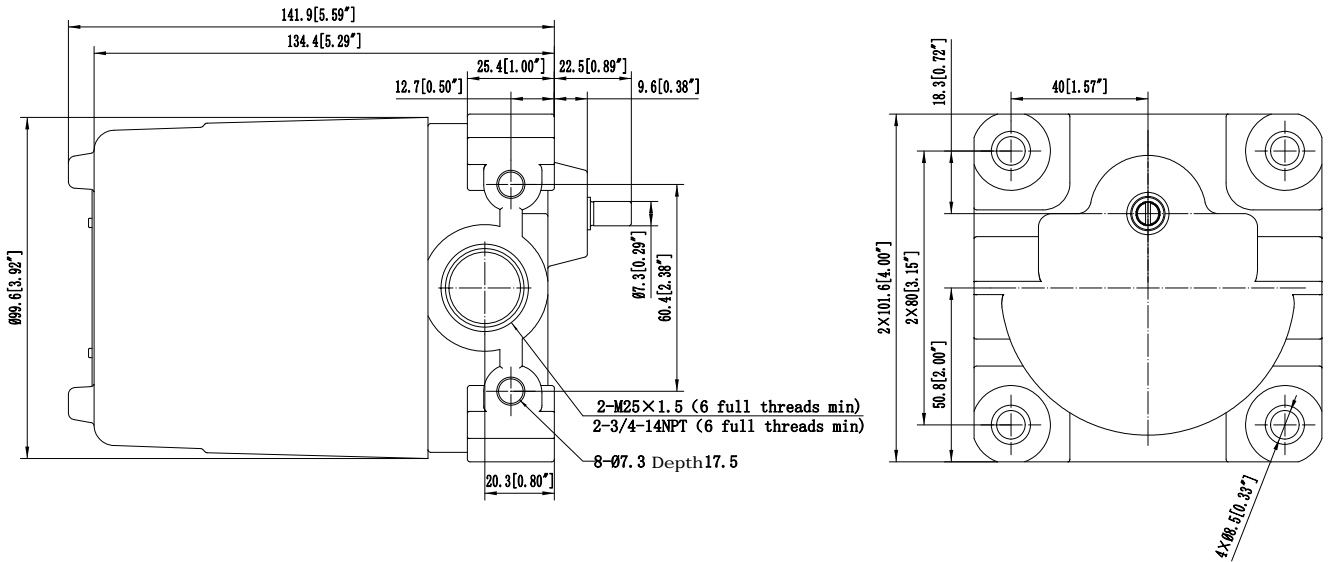


Order Code

HCX12N-04B: 2NO/2NC Standard
 HCX12N-04N: 2NO/2NC Low Torque
 HCX12N-04TB: 2NO/2NC Neutral Position

Operating Characteristics

Max. Pretravel: 15°
Max. Differential Travel: 10°
Min. Overtravel: 90°



Order Code

HCX14N-04B: 4NO/4NC Standard
 HCX14N-04N: 4NO/4NC Low Torque
 HCX14N-04TB: 4NO/4NC Neutral Position

Operating Characteristics

Max. Pretravel: 15°
Max. Differential Travel: 10°
Min. Overtravel: 90°

SUNS Product Overview

SNAP SWITCHES

Large assortment of snap switches with your choice of operating force, actuator, and electrical rating. Ratings include 10, 15, 20 and 25A, up to 600V and waterproof (IP67) available.



PUSHBUTTON SWITCHES

Full line of 16mm, 22mm and 30 mm NEMA style pushbutton switches. Available in both plastic and metal heads.



LIMIT SWITCHES

The widest range of limit switches with over 3,000+ models. Whether your application requires a standard IP65 or an explosions-proof NEMA style body we have your switch.



PENDANT AND CONTROL STATIONS

Pendant and control stations ideal for crane, lift, and various industrial applications. Customize your button configuration with maintained, interlock, or 2-speed features available.



SAFETY SWITCHES

Extensive offering of reliable safety switch models including key interlock, solenoid key interlock, cable-pull, hinge and remote reset.



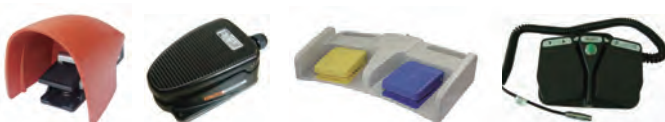
PROXIMITY/MAGNETIC SWITCHES

Inductive, capacitive and magnetic proximity sensors with various detection distances. NPN/ PNP, NC/NO, and AC/DC options available.



FOOT SWITCHES

The highest quality industrial and medical foot switch product for any application. Choose from various robust glass reinforced plastic or aluminum die cast bodies. USB and wireless (RF or bluetooth) versions also available.



AND MORE!

SUNS also offers following products: Terminal blocks, Indicator light, Signal lights, Tower Lights, Alarm bells



* All SUNS products are manufactured according to the highest manufacturing standards.

* All products are UL/CSA/CE Certified and are also RoHS, REACH compliant.



SUNS[®]

The Right Switch For Your Applications