

Electret Condenser Microphone (Noise Cancelling)

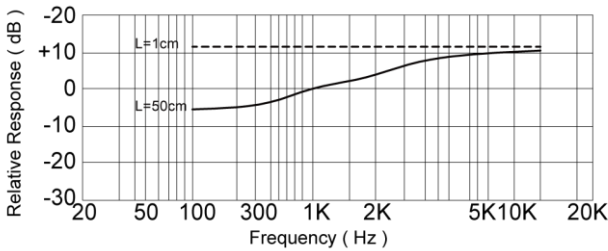
Model: CMN6027-2022-303S-33



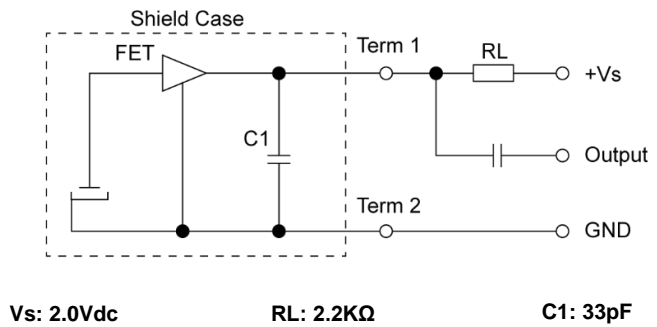
ELECTRICAL SPECIFICATIONS

| | Condition | Parameter | Unit |
|----------------------------|------------------------------|------------------|------|
| Directivity | | Noise Cancelling | |
| Sensitivity | 0dB = 1V/Pa, 1KHz | -30 ± 3 | dB |
| Operating Voltage | | 1 ~ 10 | Vdc |
| Standard Operating Voltage | | 2 | Vdc |
| Output Impedance | 1KHz, 1Pa | 2.2K | Ω |
| Frequency Range | | 100 ~ 14K | Hz |
| Current Consumption | at recommended drive circuit | Max. 500 | μA |
| Sensitivity Reduction | at 1.5Vdc | within -3 | dB |
| S/N Ratio | 1KHz, 1Pa, A-weighted | Min. 58 | dBA |
| Terminal | | Solder Pads | |
| Operating Temperature | | -20 ~ +70 | °C |
| Storage Temperature | | -20 ~ +70 | °C |

FREQUENCY RESPONSE CURVE



RECOMMENDED DRIVE CIRCUIT



MECHANICAL DRAWING

Dimensions in mm

Tolerance ±0.5mm Except Specified

