

**Electret Condenser Microphone (Noise Cancelling)**

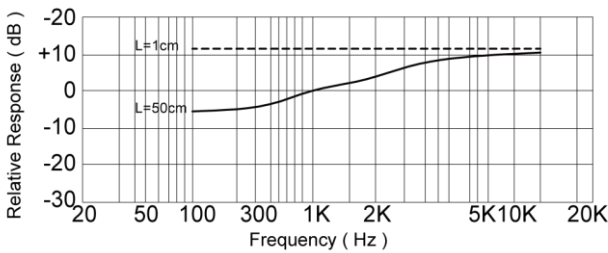
**Model: CMN6050-2022-383S-1033**



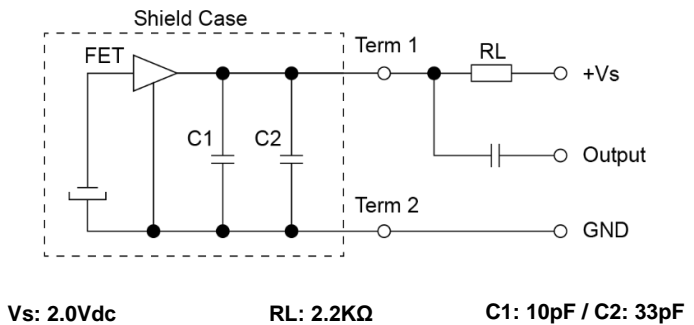
**ELECTRICAL SPECIFICATIONS**

|                            | Condition                    | Parameter        | Unit |
|----------------------------|------------------------------|------------------|------|
| Directivity                |                              | Noise Cancelling |      |
| Sensitivity                | 0dB = 1V/Pa, 1KHz            | -38 ± 3          | dB   |
| Operating Voltage          |                              | 1 ~ 10           | Vdc  |
| Standard Operating Voltage |                              | 2                | Vdc  |
| Output Impedance           | 1KHz, 1Pa                    | 2.2K             | Ω    |
| Frequency Range            |                              | 100 ~ 12K        | Hz   |
| Current Consumption        | at recommended drive circuit | Max. 500         | μA   |
| Sensitivity Reduction      | at 1.5Vdc                    | within -3        | dB   |
| S/N Ratio                  | 1KHz, 1Pa, A-weighted        | Min. 60          | dBA  |
| Terminal                   |                              | Solder Pads      |      |
| Operating Temperature      |                              | -20 ~ +70        | °C   |
| Storage Temperature        |                              | -20 ~ +70        | °C   |

**FREQUENCY RESPONSE CURVE**



**RECOMMENDED DRIVE CIRCUIT**



**MECHANICAL DRAWING**

Dimensions in mm

Tolerance ±0.5mm Except Specified

