

**Electret Condenser Microphone (Omnidirectional)**

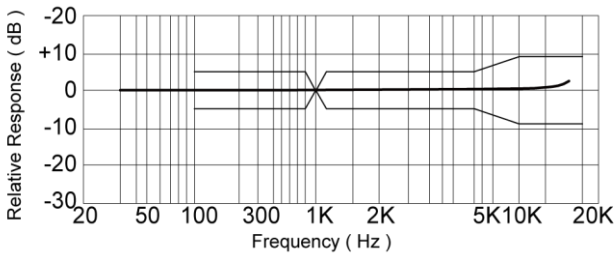
**Model: CMO6022-X208**



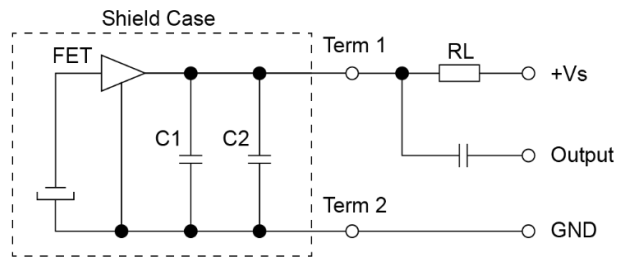
**ELECTRICAL SPECIFICATIONS**

	Condition	Parameter	Unit
Directivity		Omnidirectional	
Sensitivity	0dB = 1V/Pa, 1KHz	-41 ± 3	dB
Operating Voltage		1 ~ 10	Vdc
Standard Operating Voltage		2	Vdc
Output Impedance	1KHz, 1Pa	2.2K	Ω
Frequency Range		50 ~ 18K	Hz
Current Consumption	at recommended drive circuit	Max. 500	μA
Sensitivity Reduction	at 1.5Vdc	within -3	dB
S/N Ratio	1KHz, 1Pa, A-weighted	Min. 58	dBA
Terminal		Wire with connector	
Operating Temperature		-20 ~ +70	°C
Storage Temperature		-20 ~ +70	°C

**FREQUENCY RESPONSE CURVE**



**RECOMMENDED DRIVE CIRCUIT**



Vs: 2.0Vdc

RL: 2.2KΩ

C1: 10pF ; C2: 33pF

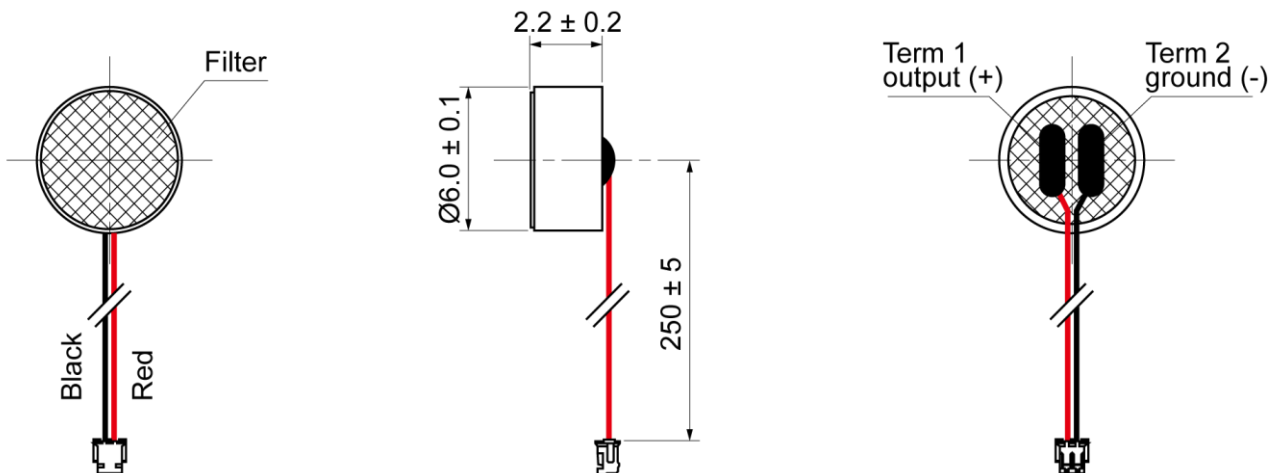
**MECHANICAL DRAWING**

Dimensions in mm

Wire: UL3302 AWG28

Tolerance ±0.5mm Except Specified

Connector: CX-H125-0.2 (1.25mm, 2Pin)



**Electret Condenser Microphone (Omnidirectional)**

**Model: CMO6022-X208**

**REVISION HISTORY**

---

<b>Ver</b>	<b>Description</b>	<b>Date</b>
1.0	initial release	21 Aug 2019