

Electret Condenser Microphone (Omnidirectional)

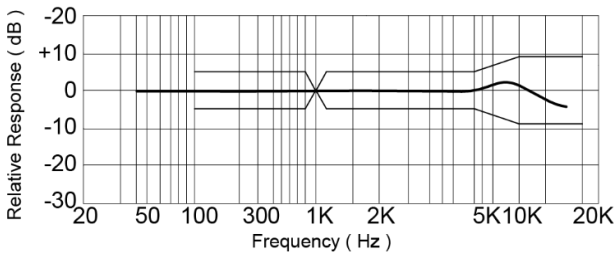
Model: CMO9745-X215



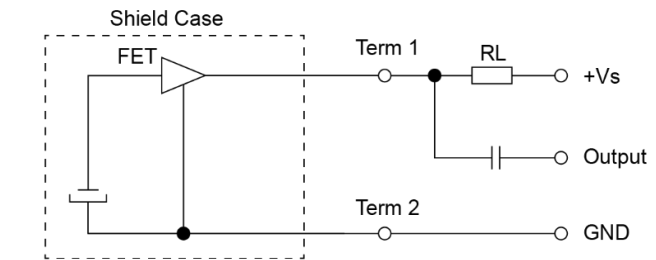
ELECTRICAL SPECIFICATIONS

	Condition	Parameter	Unit
Directivity		Omnidirectional	
Sensitivity	0dB = 1V/Pa, 1KHz	-40 ± 2	dB
Operating Voltage		1 ~ 10	Vdc
Standard Operating Voltage		1.5	Vdc
Output Impedance	1KHz, 1Pa	2.2K	Ω
Frequency Range		40 ~ 16K	Hz
Current Consumption	at recommended drive circuit	Max. 500	μA
Sensitivity Reduction	at 1.0Vdc	within -3	dB
S/N Ratio	1KHz, 1Pa, A-weighted	Min. 60	dBA
Terminal		Wire with connector	
Operating Temperature		-20 ~ +70	°C
Storage Temperature		-20 ~ +70	°C

FREQUENCY RESPONSE CURVE



RECOMMENDED DRIVE CIRCUIT



Vs: 1.5Vdc

RL: 2.2KΩ

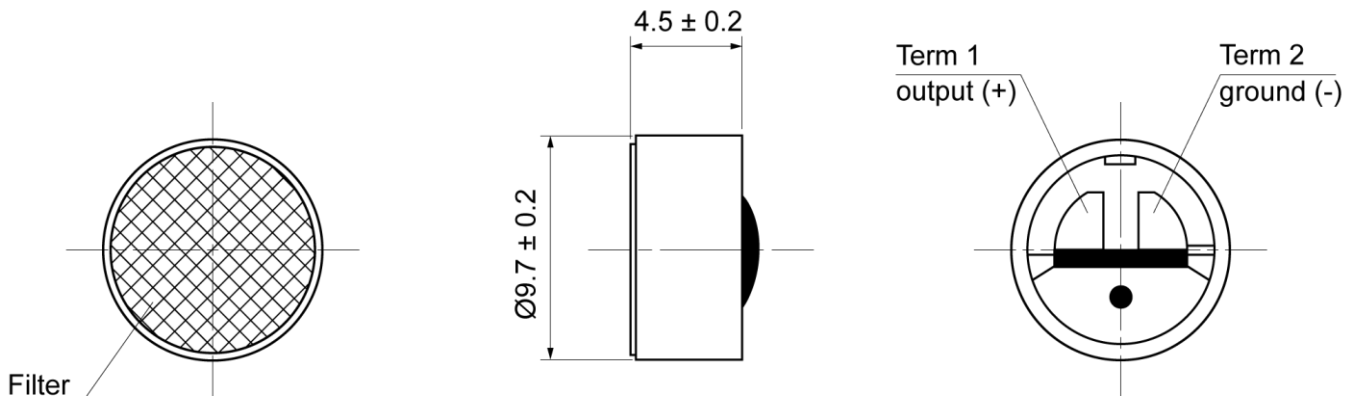
MECHANICAL DRAWING

Dimensions in mm

Wire: 40mm, UL3302 AWG 28

Tolerance ±0.5mm Except Specified

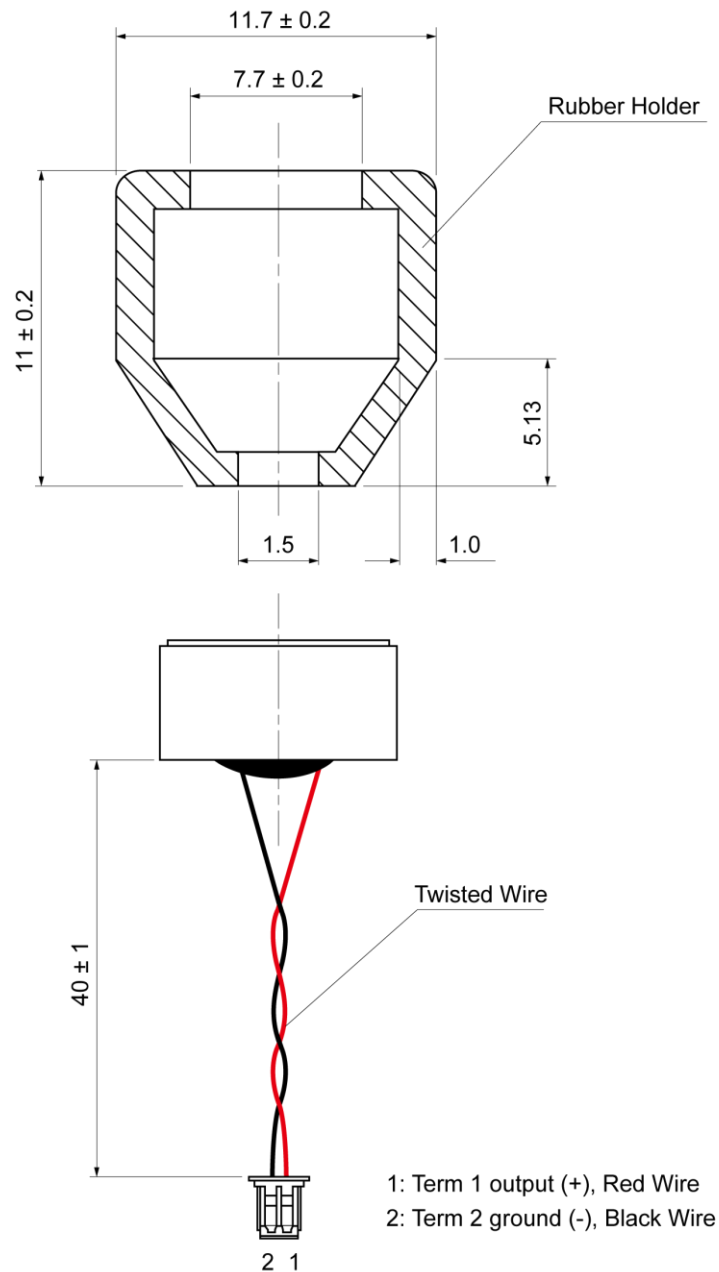
Connector: substitute Molex 51021-02001



Electret Condenser Microphone (Omnidirectional)

Model: CMO9745-X215

MECHANICAL DRAWING



Electret Condenser Microphone (Omnidirectional)**Model: CMO9745-X215****REVISION HISTORY**

Ver	Description	Date
1.0	initial release	11 Dec 2019
2.0	renew datasheet	22 Apr 2022