

Electret Condenser Microphone (Omnidirectional)

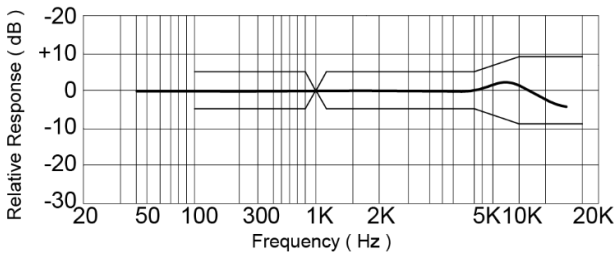
Model: CMO9765-4510-442S-1033



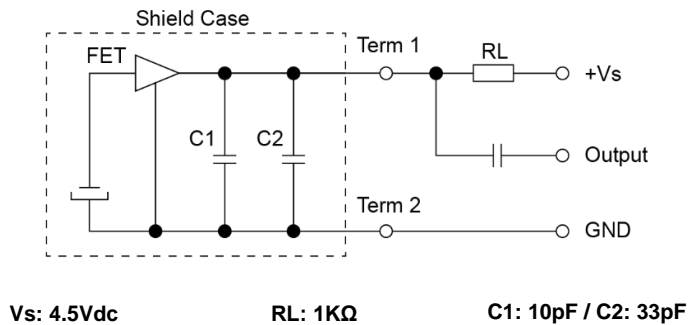
ELECTRICAL SPECIFICATIONS

	Condition	Parameter	Unit
Directivity		Omnidirectional	
Sensitivity	0dB = 1V/Pa, 1KHz	-44 ± 2	dB
Operating Voltage		1 ~ 10	Vdc
Standard Operating Voltage		4.5	Vdc
Output Impedance	1KHz, 1Pa	1K	Ω
Frequency Range		50 ~ 16K	Hz
Current Consumption	at recommended drive circuit	Max. 500	μA
Sensitivity Reduction	at 4.0Vdc	within -3	dB
S/N Ratio	1KHz, 1Pa, A-weighted	Min. 60	dBA
Terminal		Solder pad	
Operating Temperature		-20 ~ +70	°C
Storage Temperature		-20 ~ +70	°C

FREQUENCY RESPONSE CURVE



RECOMMENDED DRIVE CIRCUIT



MECHANICAL DRAWING

Dimensions in mm

Tolerance ±0.5mm Except Specified

