

**Electret Condenser Microphone (Omnidirectional)**

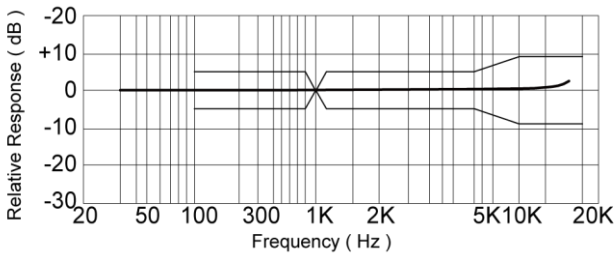
**Model: CMOB4015-2022-403S-1033**



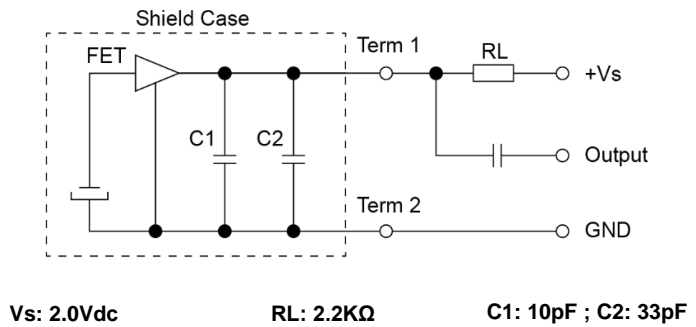
**ELECTRICAL SPECIFICATIONS**

	Condition	Parameter	Unit
Directivity		Omnidirectional	
Sensitivity	0dB = 1V/Pa, 1KHz	-40 ± 3	dB
Operating Voltage		1 ~ 10	Vdc
Standard Operating Voltage		2	Vdc
Output Impedance	1KHz, 1Pa	2.2K	Ω
Frequency Range		50 ~ 16K	Hz
Current Consumption	at recommended drive circuit	Max. 500	μA
Sensitivity Reduction	at 1.5Vdc	within -3	dB
S/N Ratio	1KHz, 1Pa, A-weighted	Min. 60	dBA
Terminal		Solder Pad	
Operating Temperature		-20 ~ +70	°C
Storage Temperature		-20 ~ +70	°C

**FREQUENCY RESPONSE CURVE**



**RECOMMENDED DRIVE CIRCUIT**



**MECHANICAL DRAWING**

Dimensions in mm

Tolerance ±0.5mm Except Specified

