

**Electret Condenser Microphone (Omnidirectional)**

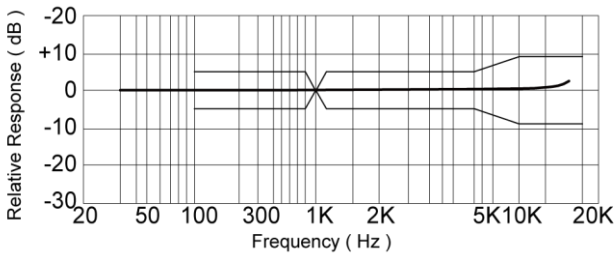
**Model: CMOB4530-2022-383S-1033**



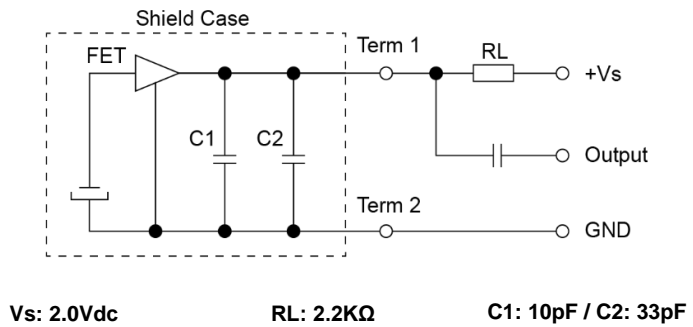
**ELECTRICAL SPECIFICATIONS**

|                            | Condition                    | Parameter       | Unit |
|----------------------------|------------------------------|-----------------|------|
| Directivity                |                              | Omnidirectional |      |
| Sensitivity                | 0dB = 1V/Pa, 1KHz            | -38 ± 3         | dB   |
| Operating Voltage          |                              | 1 ~ 10          | Vdc  |
| Standard Operating Voltage |                              | 2               | Vdc  |
| Output Impedance           | 1KHz, 1Pa                    | 2.2K            | Ω    |
| Frequency Range            |                              | 50 ~ 16K        | Hz   |
| Current Consumption        | at recommended drive circuit | Max. 200        | μA   |
| Sensitivity Reduction      | at 1.5Vdc                    | within -3       | dB   |
| S/N Ratio                  | 1KHz, 1Pa, A-weighted        | Min. 60         | dBA  |
| Terminal                   |                              | Solder Pad      |      |
| Operating Temperature      |                              | -20 ~ +70       | °C   |
| Storage Temperature        |                              | -20 ~ +70       | °C   |

**FREQUENCY RESPONSE CURVE**



**RECOMMENDED DRIVE CIRCUIT**



**MECHANICAL DRAWING**

Dimensions in mm

Tolerance ±0.3mm Except Specified

