

Loud Speaker (Internal Magnet)

Model: LEU5090E-36H7.0W8Y



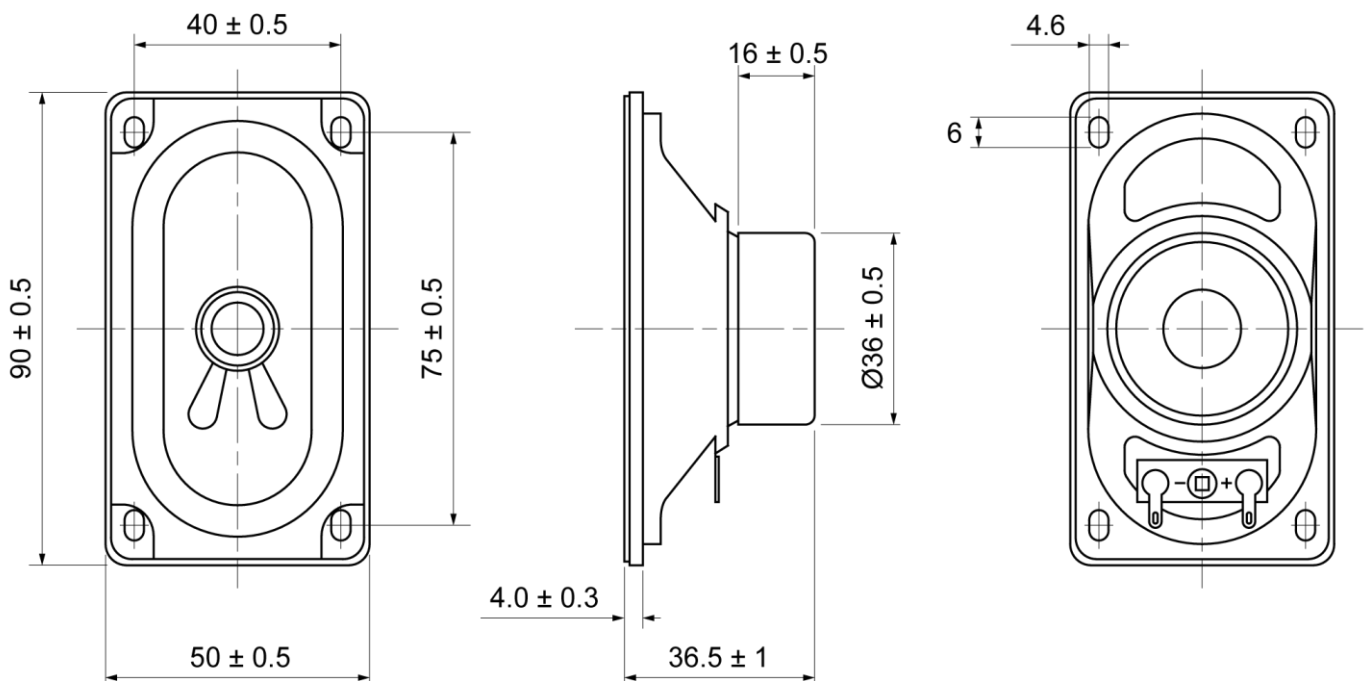
ELECTRICAL SPECIFICATIONS

	Condition	Parameter	Unit
Sound Pressure Level	at 0.1W, 0.1M [at 0.8, 1.0, 1.2, 1.5KHz]	87 ± 3	dB
Impedance	at 1V, 1000Hz	8 ± 15%	Ω
Rated Input Power		7	W
Max Input Power		10	W
Resonant Frequency (Fo)	at 1V	180 ± 20%	Hz
Frequency Range		Fo ~ 20000	Hz
Buzzer & Rattles	not be audible at sine wave between Fo ~ 20KHz	7.48	V
Operating Temperature		-25 ~ 60	°C
Magnet		NdFeB	
Frame Material		Metal	
Cone Material		Paper	
Weight		91	g

MECHANICAL DRAWING

Dimensions in mm

Tolerance ±0.5mm Except Specified



Loud Speaker (Internal Magnet)

Model: LEU5090E-36H7.0W8Y

FREQUENCY RESPONSE CURVE

