

Loud Speaker (External Magnet)

Model: LEU66R-29H3.0W3N



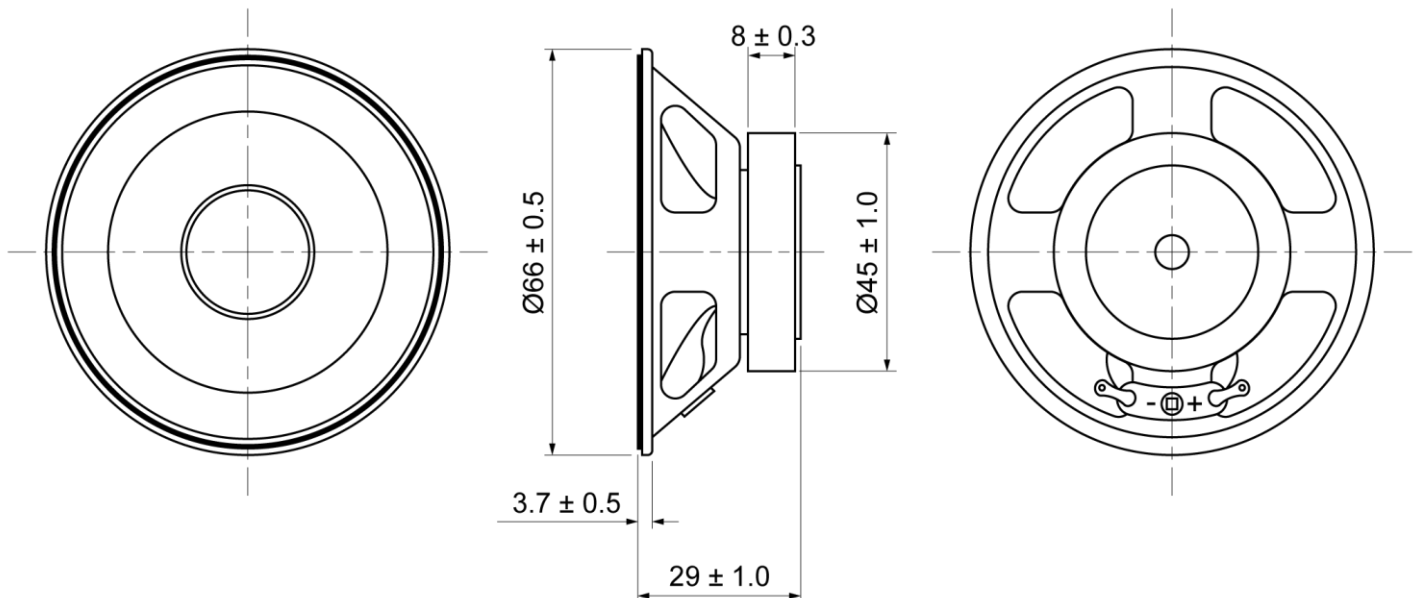
ELECTRICAL SPECIFICATIONS

	Condition	Parameter	Unit
Sound Pressure Level	at 1.0W, 1.0M [at 1.0, 1.3, 1.8, 2.5KHz]	87 ± 3	dB
Impedance	at 1V, 800Hz	3 ± 15%	Ω
Rated Input Power		3	W
Max Input Power		5	W
Resonant Frequency (Fo)	at 1V	150 ± 20%	Hz
Frequency Range		Fo ~ 20000	Hz
Buzzer & Rattles	not be audible at sine wave between Fo ~ 20KHz	3	V
Operating Temperature		-20 ~ 60	°C
Magnet		Ferrite	
Frame Material		Metal	
Cone Material		Paper	
Weight		85	g

MECHANICAL DRAWING

Dimensions in mm

Tolerance ±0.5mm Except Specified



Loud Speaker (External Magnet)
Model: LEU66R-29H3.0W3N

FREQUENCY RESPONSE CURVE

