

Loud Speaker (Internal Magnet)

Model: LIU4070E-23H5.0W16



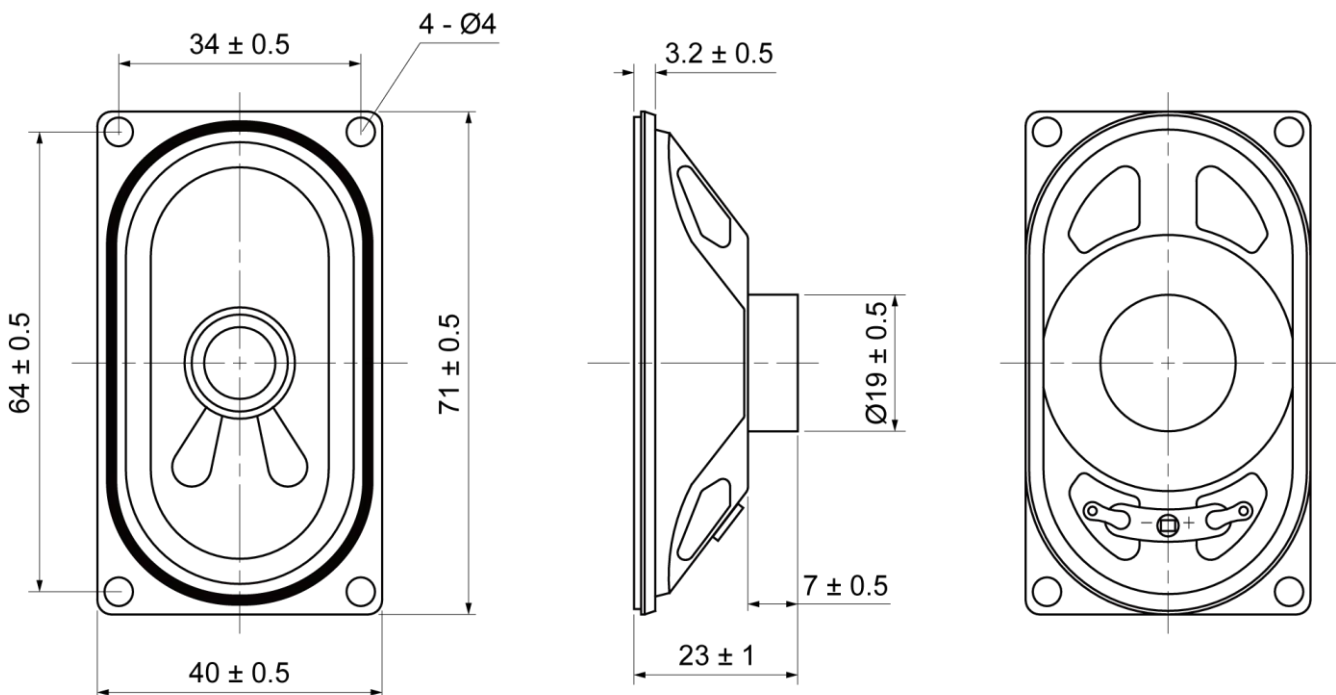
ELECTRICAL SPECIFICATIONS

	Condition	Parameter	Unit
Sound Pressure Level	at 0.1W, 0.1M [at 0.6, 0.8, 1.0, 1.2KHz]	82 ± 3	dB
Impedance	at 1V, 1000Hz	16 ± 15%	Ω
Rated Input Power		5	W
Max Input Power		6	W
Resonant Frequency (Fo)	at 1V	300 ± 20%	Hz
Frequency Range		Fo ~ 20000	Hz
Buzzer & Rattles	not be audible at sine wave between Fo ~ 20KHz	8.94	V
Operating Temperature		-30 ~ 75	°C
Magnet		NdFeB	
Frame Material		Metal	
Cone Material		Paper	
Weight		29	g

MECHANICAL DRAWING

Dimensions in mm

Tolerance ±0.5mm Except Specified



Loud Speaker (Internal Magnet)

Model: LIU4070E-23H5.0W16

FREQUENCY RESPONSE CURVE

