

Mylar Speaker (External Magnet)

Model: ME77BS-26H5.0W4N



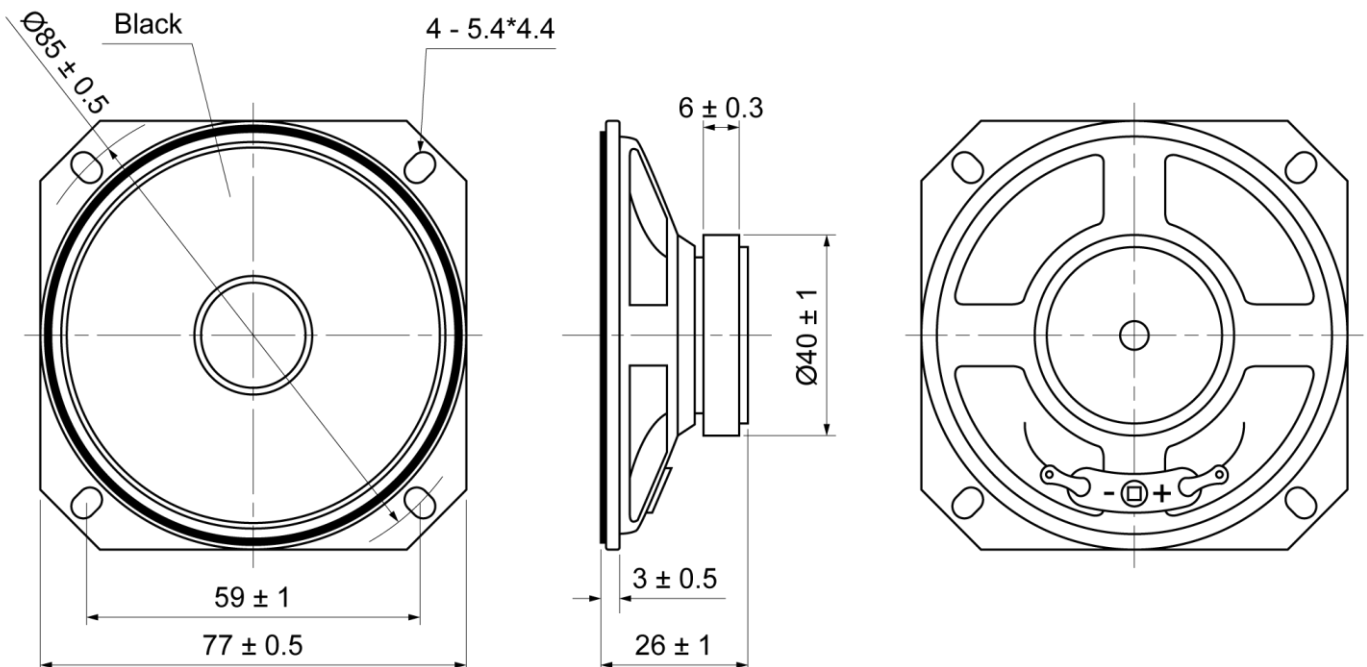
ELECTRICAL SPECIFICATIONS

| | Condition | Parameter | Unit |
|-------------------------|---|-------------|------|
| Sound Pressure Level | at 0.1W, 0.1M [at 0.6, 0.8, 1.0, 1.2 KHz] | 95 ± 3 | dB |
| Impedance | at 1V, 1000Hz | 4 ± 15% | Ω |
| Rated Input Power | | 5 | W |
| Max Input Power | | 6 | W |
| Resonant Frequency (Fo) | at 1V | 400 ± 20% | Hz |
| Frequency Range | | Fo ~ 5000 | Hz |
| Buzzer & Rattles | not be audible at sine wave between Fo ~ 5KHz | 4.47 | V |
| Operating Temperature | | -30 ~ 60 | °C |
| Magnet | | Ferrite | |
| Frame Material | | Metal | |
| Cone Material | | Mylar (PET) | |
| Weight | | 89 | g |

MECHANICAL DRAWING

Dimensions in mm

Tolerance ±0.5mm Except Specified



Mylar Speaker (External Magnet)

Model: ME77BS-26H5.0W4N

FREQUENCY RESPONSE CURVE

