

Mylar Speaker (External Magnet)

Model: ME77TR-24H6.0W2N



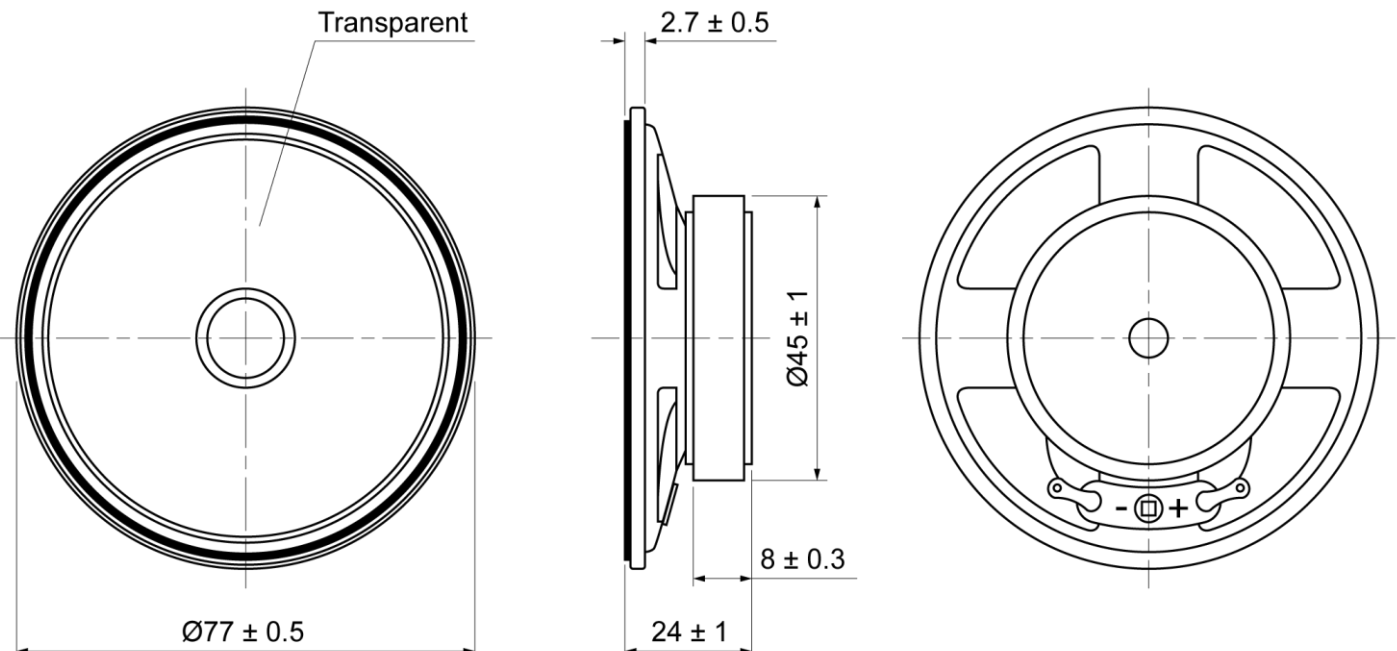
ELECTRICAL SPECIFICATIONS

	Condition	Parameter	Unit
Sound Pressure Level	at 0.1W, 0.1M [at 0.6, 0.8, 1.0, 1.2 KHz]	93 ± 3	dB
Impedance	at 1V, 1000Hz	2 ± 15%	Ω
Rated Input Power		6	W
Max Input Power		8	W
Resonant Frequency (Fo)	at 1V	350 ± 20%	Hz
Frequency Range		Fo ~ 5000	Hz
Buzzer & Rattles	not be audible at sine wave between Fo ~ 5KHz	3.46	V
Operating Temperature		-30 ~ 85	°C
Magnet		Ferrite	
Frame Material		Metal	
Cone Material		Mylar (PEI)	
Weight		155	g

MECHANICAL DRAWING

Dimensions in mm

Tolerance ±0.5mm Except Specified



Mylar Speaker (External Magnet)

Model: ME77TR-24H6.0W2N

FREQUENCY RESPONSE CURVE

