

Mylar Speaker (External Magnet)

Model: MEU57R-24H3.0W4N



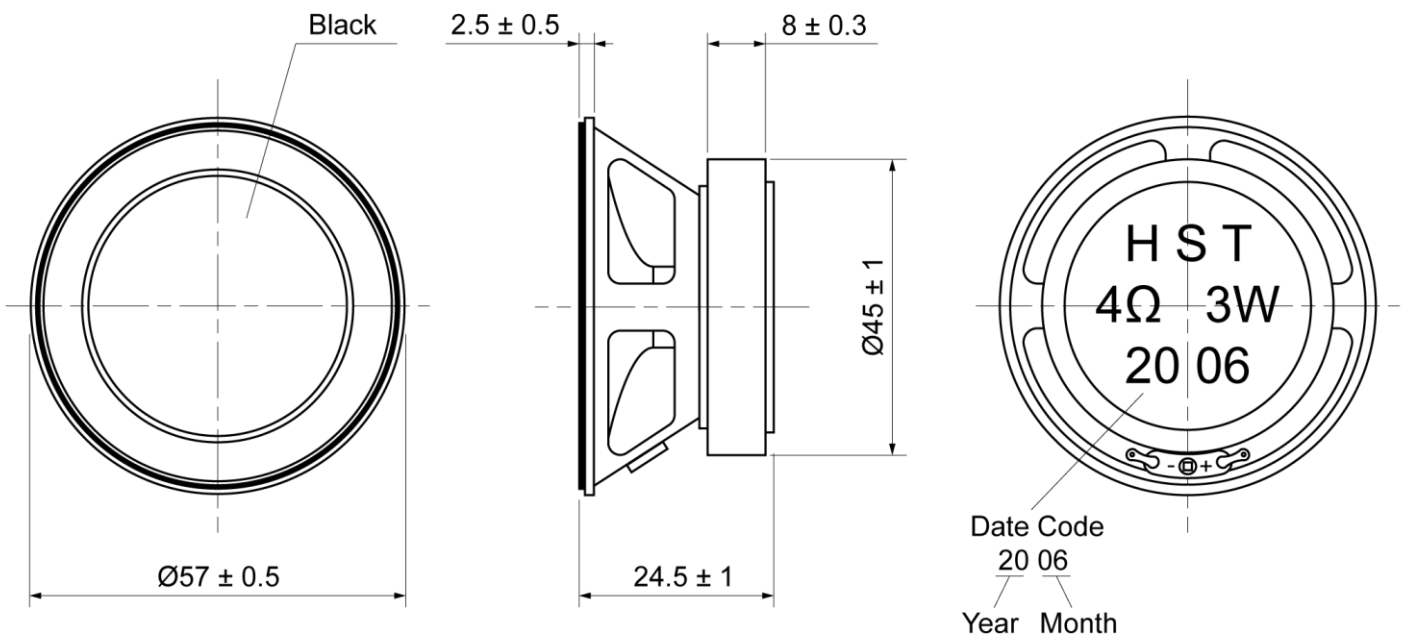
ELECTRICAL SPECIFICATIONS

	Condition	Parameter	Unit
Sound Pressure Level	at 1.0W, 1.0M [at 1.0, 1.2, 1.5, 2.0KHz]	82 ± 3	dB
Impedance	at 1V, 1000Hz	4 ± 15%	Ω
Rated Input Power		3	W
Max Input Power		5	W
Resonant Frequency (Fo)	at 1V	205 ± 20%	Hz
Frequency Range		Fo ~ 20000	Hz
Buzzer & Rattles	not be audible at sine wave between 190 ~ 3KHz	3.46	V
Operating Temperature		-20 ~ 60	°C
Magnet		Ferrite	
Frame Material		Metal	
Cone Material		Mylar	
Weight		91	g

MECHANICAL DRAWING

Dimensions in mm

Tolerance ±0.5mm Except Specified



Mylar Speaker (External Magnet)

Model: MEU57R-24H3.0W4N

FREQUENCY RESPONSE CURVE

