

**Mylar Speaker (Internal Magnet)**

**Model: MIU34SP-14H2.0W8**



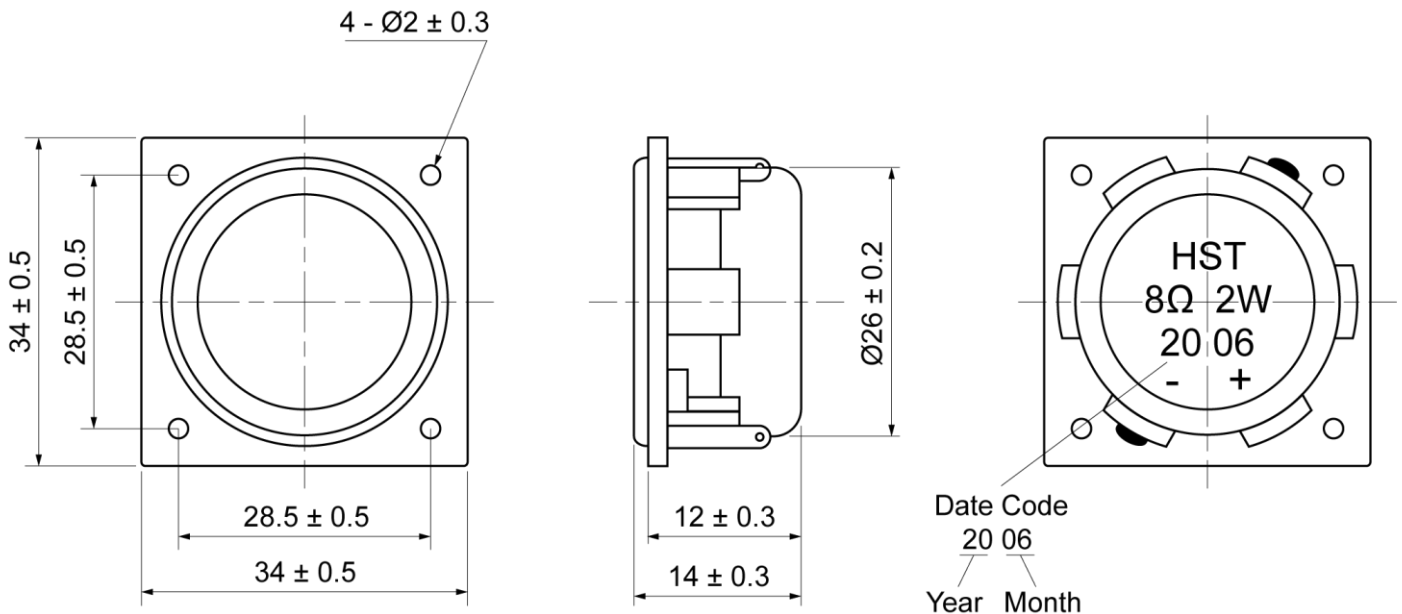
**ELECTRICAL SPECIFICATIONS**

	Condition	Parameter	Unit
Sound Pressure Level	at 0.1W, 0.1M [at 0.6, 1.0, 1.5, 2.0 KHz]	85 ± 3	dB
Impedance	at 1V, 800Hz	8 ± 15%	Ω
Rated Input Power		2	W
Max Input Power		3	W
Resonant Frequency (Fo)	at 1V	260 ± 20%	Hz
Frequency Range		Fo ~ 20000	Hz
Buzzer & Rattles	not be audible at sine wave between Fo ~ 20KHz	4	V
Operating Temperature		-20 ~ 60	°C
Magnet		Nd-Fe-B	
Frame Material		PBT	
Cone Material		Aluminum	
Weight		31	g

**MECHANICAL DRAWING**

Dimensions in mm

Tolerance ±0.5mm Except Specified



**Mylar Speaker (Internal Magnet)**

**Model: MIU34SP-14H2.0W8**

**FREQUENCY RESPONSE CURVE**

