

Mylar Speaker (Internal Magnet)

Model: MIU36R-17H3.0W4



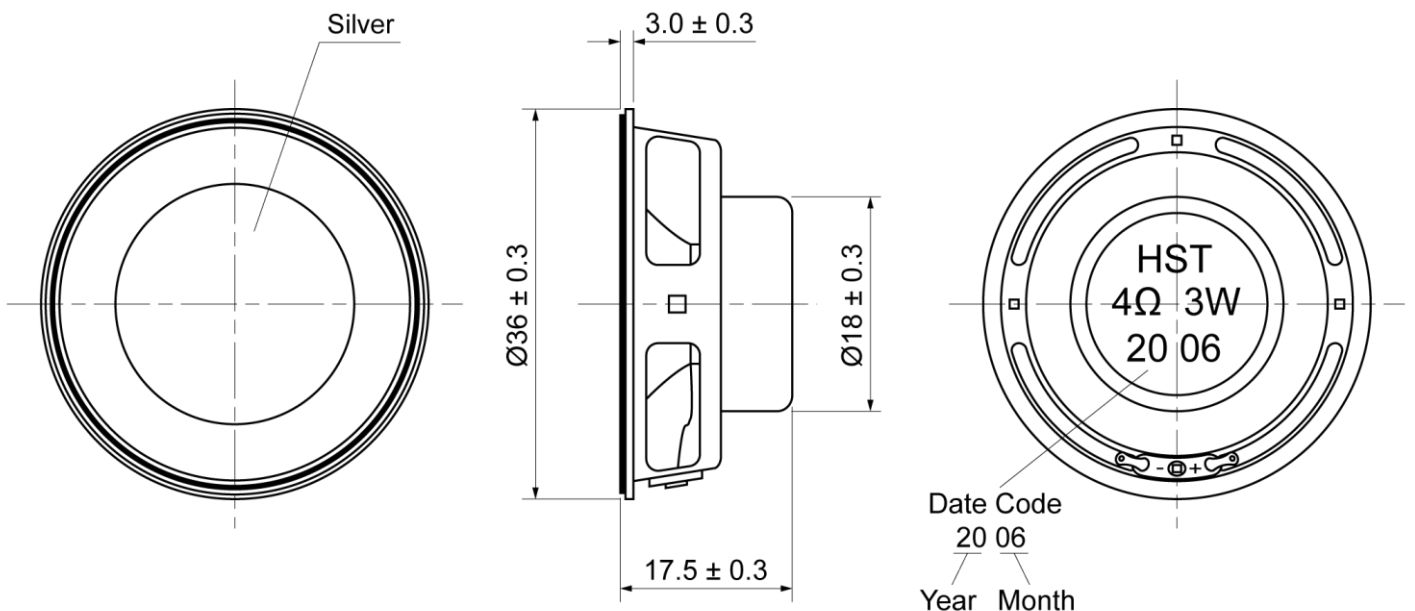
ELECTRICAL SPECIFICATIONS

	Condition	Parameter	Unit
Sound Pressure Level	at 0.1W, 0.1M [at 0.8, 1.0, 1.2, 1.5 KHz]	82 ± 3	dB
Impedance	at 1V, 800Hz	4 ± 15%	Ω
Rated Input Power		3	W
Max Input Power		4	W
Resonant Frequency (Fo)	at 1V	230 ± 20%	Hz
Frequency Range		150 ~ 3000	Hz
Buzzer & Rattles	not be audible at sine wave between 150 ~ 3KHz	3.46	V
Operating Temperature		-30 ~ 70	°C
Magnet		Nd-Fe-B	
Frame Material		Metal	
Cone Material		Mylar	
Weight		16	g

MECHANICAL DRAWING

Dimensions in mm

Tolerance ±0.5mm Except Specified



Mylar Speaker (Internal Magnet)

Model: MIU36R-17H3.0W4

FREQUENCY RESPONSE CURVE

