

Plastic Frame Speaker

Model: OSAE50S-10T0.5W32



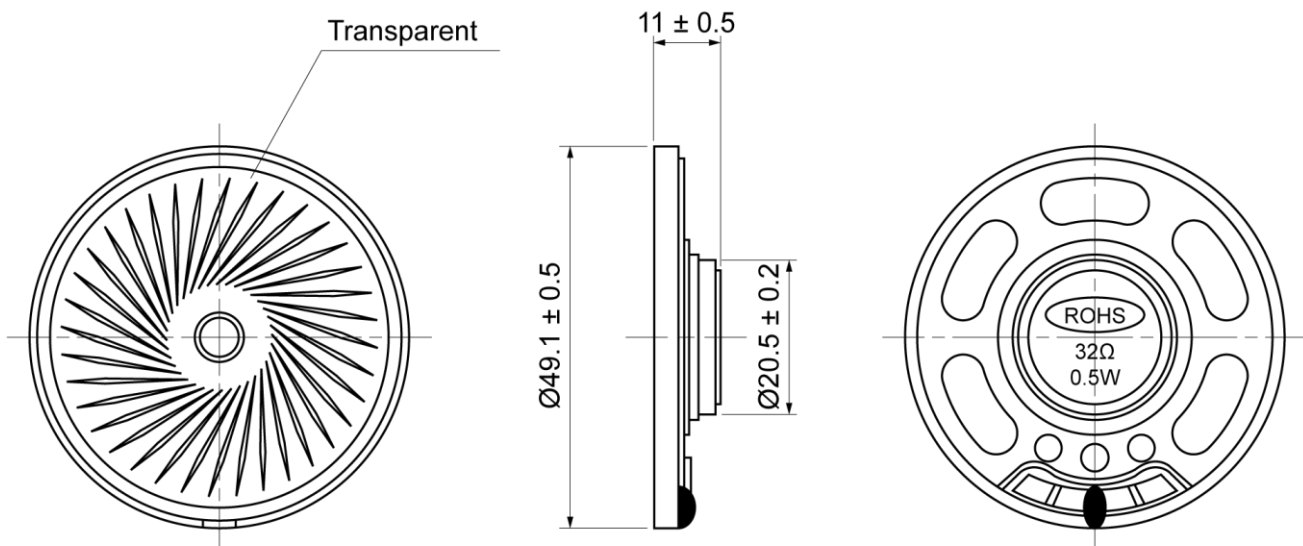
ELECTRICAL SPECIFICATIONS

	Condition	Parameter	Unit
Sound Pressure Level	at 0.1W, 0.1M [at 1.0 KHz]	89 ± 3	dB
Impedance	at 1V, 1000Hz	32 ± 15%	Ω
Rated Input Power		0.5	W
Max Input Power		1	W
Resonant Frequency (Fo)	at 1V	380 ± 20%	Hz
Frequency Range		Fo ~ 20000	Hz
Buzzer & Rattles	not be audible at sine wave between 150 ~ 3KHz	4	V
Operating Temperature		-20 ~ 60	°C
Magnet		Ferrite	
Frame Material		Plastic	
Cone Material		Mylar (PET)	
Weight		17	g

MECHANICAL DRAWING

Dimensions in mm

Tolerance ±0.5mm Except Specified



Plastic Frame Speaker

Model: OSAE50S-10T0.5W32

FREQUENCY RESPONSE CURVE

