

Micro Speaker

Model: OSR1305V-3.3T0.5W8A-R



ELECTRICAL SPECIFICATIONS

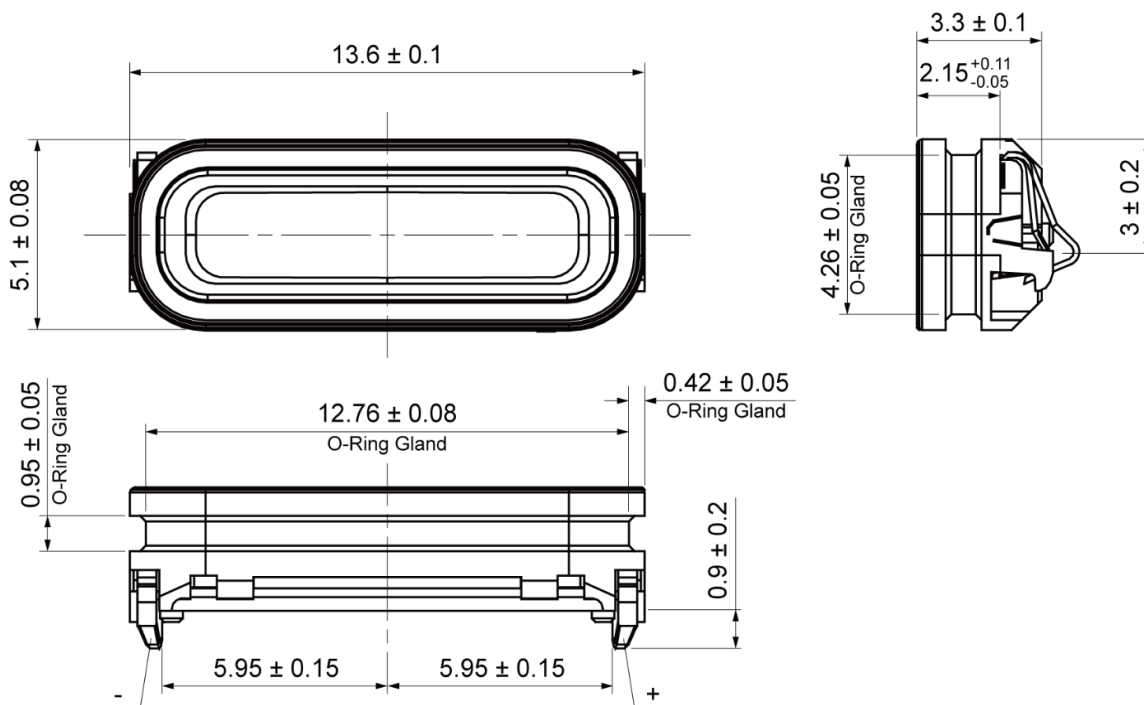
	Condition	Parameter	Unit
Sound Pressure Level	at 0.5W, 5cm [at 2KHz] in 2.3cc box	88 ± 3	dB
Impedance	at 2V, 2000Hz	8 ± 15%	Ω
Rated Input Power		0.5	W
Max Input Power		0.8	W
Resonant Frequency (Fo)	at 2V, 5cm, in 2.3cc box	950 ± 20%	Hz
Frequency Range		Fo ~ 20000	Hz
Buzzer & Rattles	not be audible at sine wave between Fo ~ 20KHz	2	V
Operating Temperature		-20 ~ 70	°C
Magnet		Nd-Fe-B	
Frame Material		PPA	
Cone Material		PU	
Weight		0.7	g
Dustproof And Waterproof Level	50m of water pressure for 10mins	IP68	

Note: IP protection level for speaker front side when built into sealed housing.

MECHANICAL DRAWING

Dimensions in mm

Tolerance ±0.2mm Except Specified



Micro Speaker

Model: OSR1305V-3.3T0.5W8A-R

FREQUENCY RESPONSE CURVE

Testing Condition: 2.0Vrms / 5cm / in 2.3cc Box

