

**Micro Speaker**

**Model: OSR1307V-3.4T0.5W7A-R**



**ELECTRICAL SPECIFICATIONS**

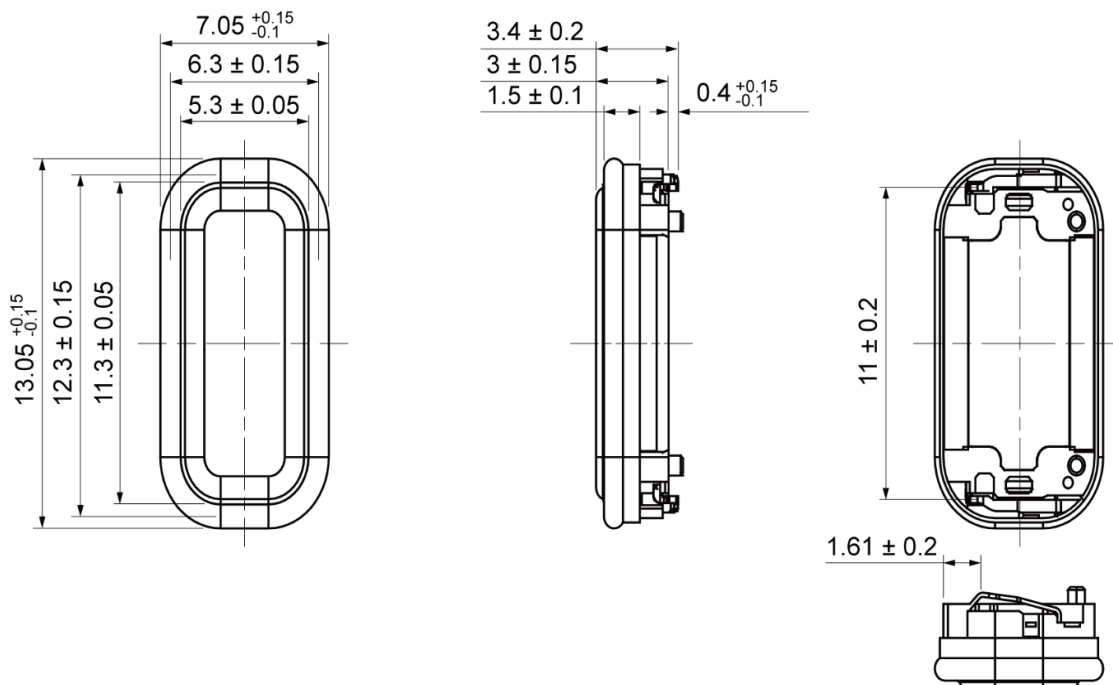
	Condition	Parameter	Unit
Sound Pressure Level	at 0.5W, 2cm [at 2KHz] in 1cc box	102 ± 3	dB
Impedance	at 2V, 2000Hz	7 ± 15%	Ω
Rated Input Power		0.5	W
Max Input Power		0.7	W
Resonant Frequency (Fo)	at 2V, 2cm, in 1cc box	1050 ± 20%	Hz
Frequency Range		Fo ~ 20000	Hz
Buzzer & Rattles	not be audible at sine wave between Fo ~ 20KHz	2	V
Operating Temperature		-20 ~ 55	°C
Magnet		Nd-Fe-B	
Frame Material		PPA	
Cone Material		PU	
Weight		0.7	g
Dustproof And Waterproof Level	50m of water pressure for 10mins	IP68	

Note: IP protection level for speaker front side when built into sealed housing.

**MECHANICAL DRAWING**

Dimensions in mm

Tolerance ±0.2mm Except Specified



**Micro Speaker**

**Model: OSR1307V-3.4T0.5W7A-R**

**FREQUENCY RESPONSE CURVE**

Testing Condition: 2.0Vrms / 10cm / in 1cc Box

