

**Micro Speaker**

**Model: OSR1508EC-2.8TB0.7W6A**



**ELECTRICAL SPECIFICATIONS**

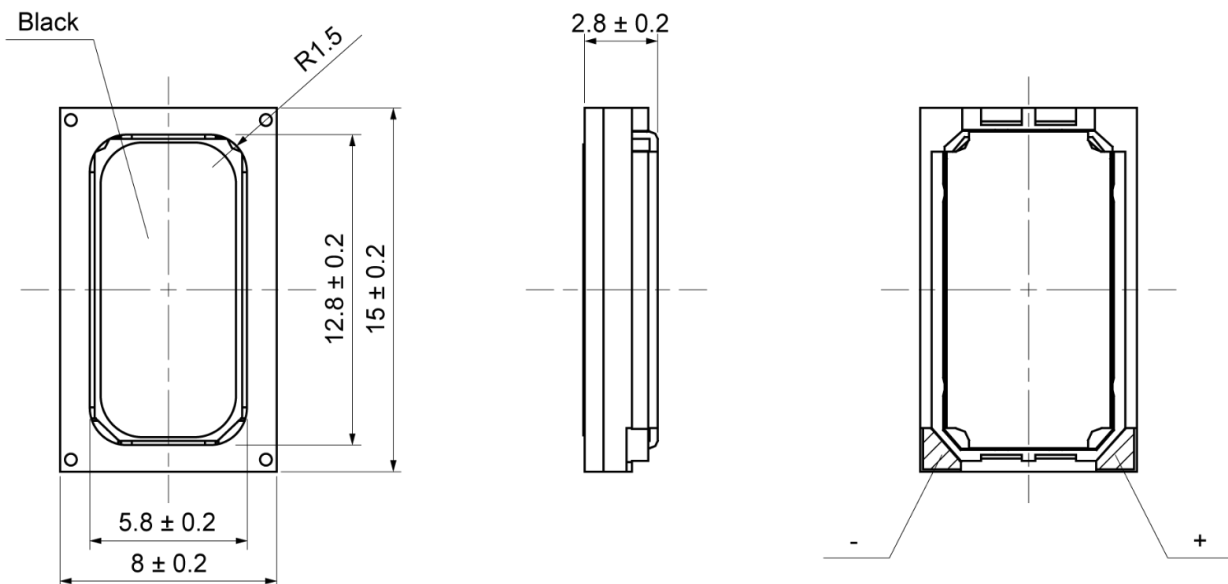
	Condition	Parameter	Unit
Sound Pressure Level	at 0.7W, 10cm [at 2.0KHz] in 1cc box	90 ± 3	dB
Impedance	at 2.05V, 2000Hz	6 ± 20%	Ω
Rated Input Power		0.7	W
Max Input Power		1	W
Resonant Frequency (Fo)	at 2.05V, 10cm, in 1cc box	1200 ± 20%	Hz
Frequency Range		Fo ~ 20000	Hz
Buzzer & Rattles	not be audible at sine wave between 200 ~ 2KHz	2.05	V
Operating Temperature		-20 ~ 70	°C
Magnet		Nd-Fe-B	
Frame Material		PPA	
Cone Material		PEEK	
Weight		1.5	g
Dustproof And Waterproof Level	30m of water pressure for 30mins	IP68	

Note: IP protection level for speaker front side when built into sealed housing.

**MECHANICAL DRAWING**

Dimensions in mm

Tolerance ±0.2mm Except Specified



**Micro Speaker**

**Model: OSR1508EC-2.8TB0.7W6A**

**FREQUENCY RESPONSE CURVE**

Testing Condition: 2.05Vrms / 10cm / in 1.0cc Box

