

Micro Speaker

Model: OSR1511E-2.5TS0.5W8A-R



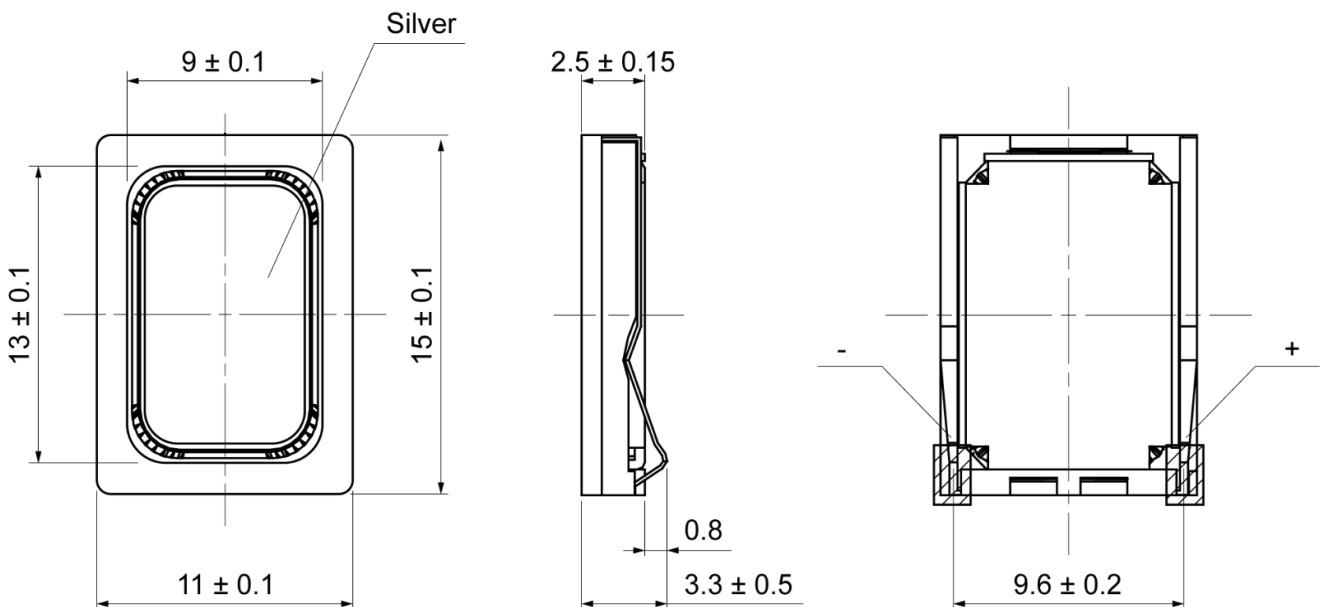
ELECTRICAL SPECIFICATIONS

| | Condition | Parameter | Unit |
|-------------------------|--|------------|------|
| Sound Pressure Level | at 0.5W, 10cm [at 0.8, 1.0, 1.5, 2.0KHz] | 88 ± 3 | dB |
| Impedance | at 2V, 2000Hz | 8 ± 15% | Ω |
| Rated Input Power | | 0.5 | W |
| Max Input Power | | 1 | W |
| Resonant Frequency (Fo) | at 1V, 10cm, in free air | 700 ± 20% | Hz |
| Frequency Range | | Fo ~ 20000 | Hz |
| Buzzer & Rattles | not be audible at sine wave between 200 ~ 2KHz | 2 | V |
| Operating Temperature | | -20 ~ 70 | °C |
| Magnet | | Nd-Fe-B | |
| Frame Material | | PBT | |
| Cone Material | | PEEK | |
| Weight | | 1.5 | g |

MECHANICAL DRAWING

Dimensions in mm

Tolerance ±0.2mm Except Specified



Micro Speaker

Model: OSR1511E-2.5TS0.5W8A-R

FREQUENCY RESPONSE CURVE

Testing Condition: 2.0Vrms / 10cm / free air

