

Micro Speaker

Model: OSR1511E-3.5TS0.5W8A-R



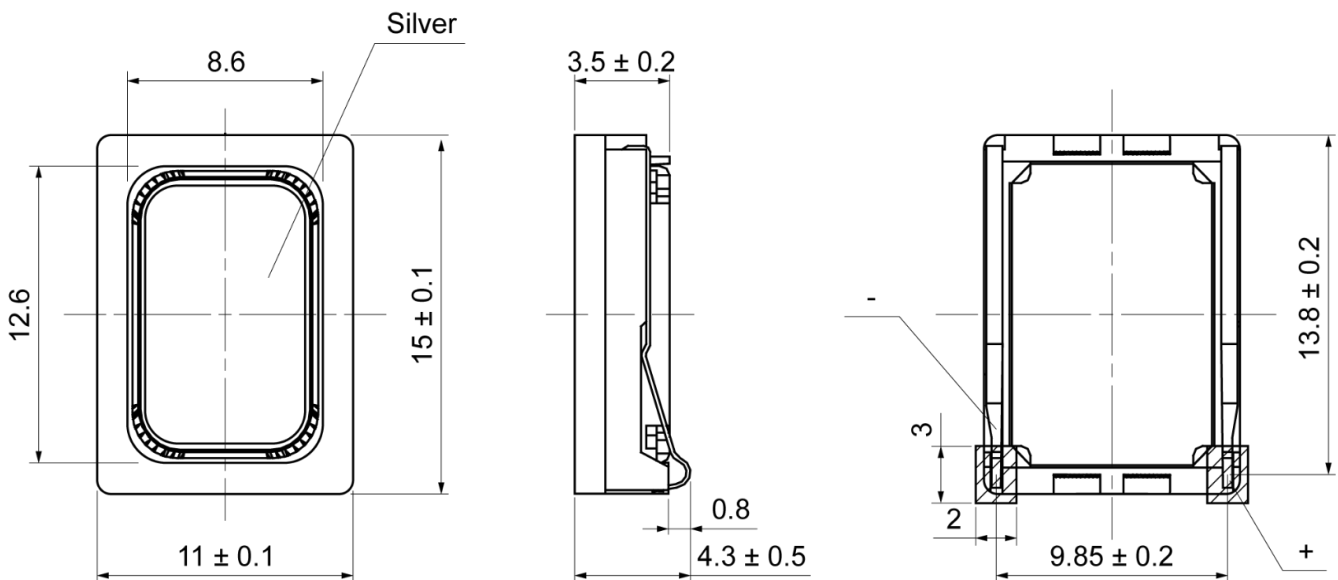
ELECTRICAL SPECIFICATIONS

	Condition	Parameter	Unit
Sound Pressure Level	at 0.5W, 10cm [at 0.8, 1.0, 1.5, 2.0KHz]	89 ± 3	dB
Impedance	at 2V, 2000Hz	8 ± 15%	Ω
Rated Input Power		0.5	W
Max Input Power		1	W
Resonant Frequency (Fo)	at 2V, 10cm, in free air	600 ± 20%	Hz
Frequency Range		Fo ~ 20000	Hz
Buzzer & Rattles	not be audible at sine wave between 200 ~ 2KHz	2	V
Operating Temperature		-20 ~ 70	°C
Magnet		Nd-Fe-B	
Frame Material		PBT	
Cone Material		PEEK	
Weight		1.5	g

MECHANICAL DRAWING

Dimensions in mm

Tolerance ±0.2mm Except Specified



Micro Speaker

Model: OSR1511E-3.5TS0.5W8A-R

FREQUENCY RESPONSE CURVE

Testing Condition: 2.0Vrms / 10cm / free air

