

**Micro Speaker**

**Model: OSR1511EC-3.5TB1.0W8A**



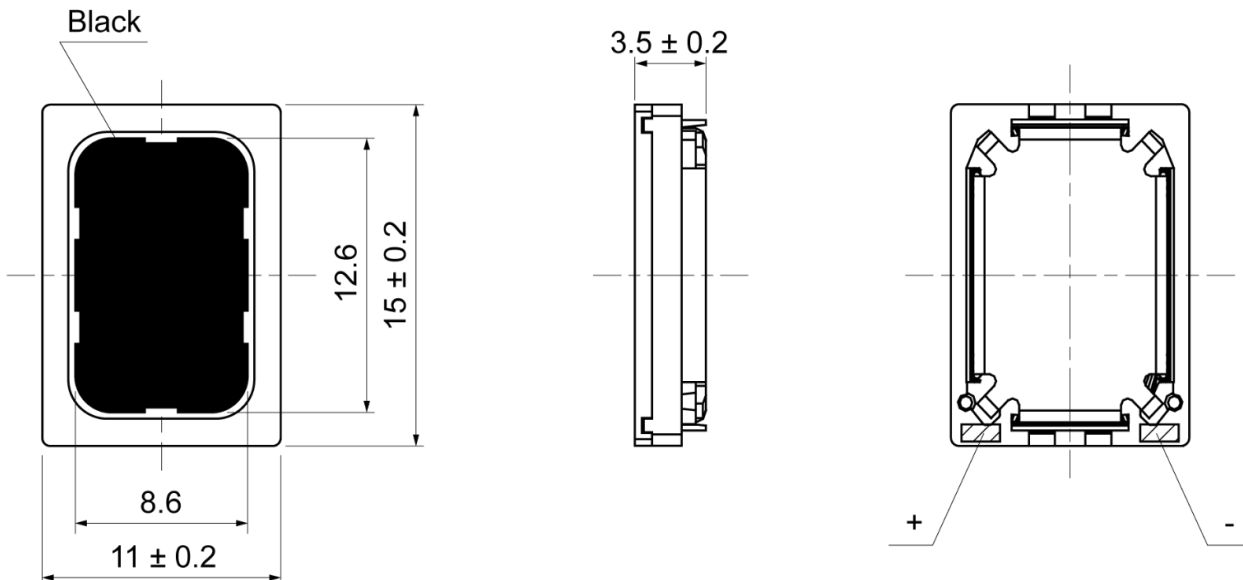
**ELECTRICAL SPECIFICATIONS**

|                         | Condition   | Parameter  | Unit |
|-------------------------|---|------------|------|
| Sound Pressure Level    | at 1.0W, 10cm [at 0.8, 1.0, 1.5, 2.0KHz] in 1cc box | 99 ± 3     | dB   |
| Impedance               | at 2.83V, 2000Hz                                    | 8 ± 15%    | Ω    |
| Rated Input Power       |   | 1          | W    |
| Max Input Power         |   | 1.2        | W    |
| Resonant Frequency (Fo) | at 2.83V, 10cm, in 1cc box                          | 1000 ± 20% | Hz   |
| Frequency Range         |   | Fo ~ 20000 | Hz   |
| Buzzer & Rattles        | not be audible at sine wave between 200 ~ 2KHz      | 2.83       | V    |
| Operating Temperature   |   | -20 ~ 70   | °C   |
| Magnet                  |   | Nd-Fe-B    |      |
| Frame Material          |   | PPA        |      |
| Cone Material           |   | PEEK       |      |
| Weight                  |   | 1.5        | g    |

**MECHANICAL DRAWING**

Dimensions in mm

Tolerance ±0.2mm Except Specified



**Micro Speaker**

**Model: OSR1511EC-3.5TB1.0W8A**

**FREQUENCY RESPONSE CURVE**

Testing Condition: 2.83Vrms / 10cm / 1cc box

