

**Micro Speaker**

**Model: OSR17R-4.7F0.5W8A**



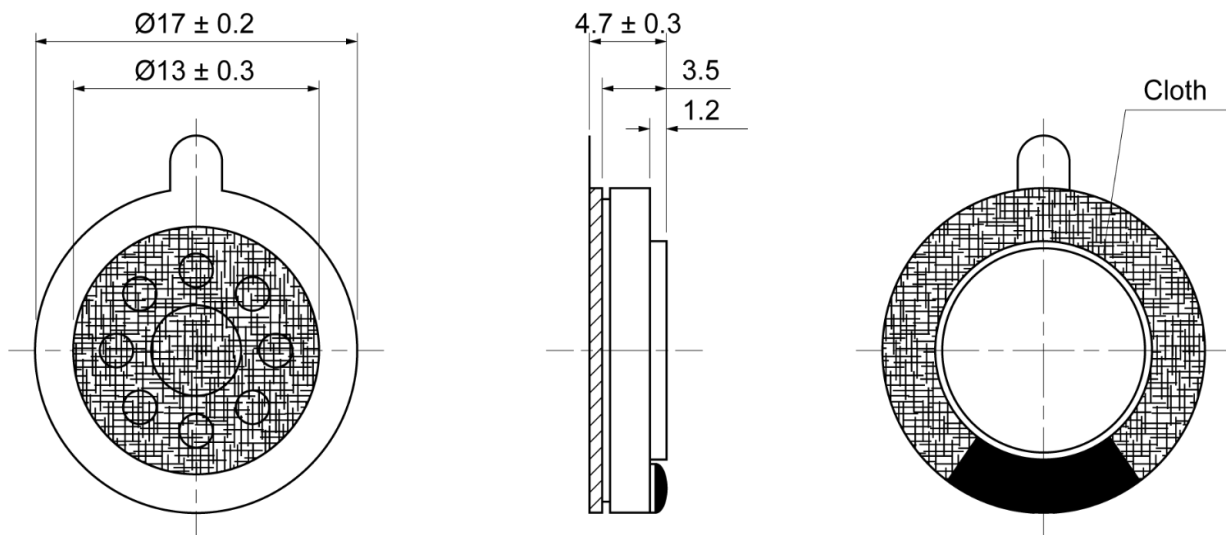
**ELECTRICAL SPECIFICATIONS**

|                         | Condition                                      | Parameter   | Unit |
|-------------------------|--|-------------|------|
| Sound Pressure Level    | at 0.1W, 10cm [at 0.8, 1.0, 1.2, 1.5 KHz]      | 90 ± 3      | dB   |
| Impedance               | at 1V, 1KHz                                    | 8 ± 15%     | Ω    |
| Rated Input Power       |  | 0.5         | W    |
| Max Input Power         |  | 0.8         | W    |
| Resonant Frequency (Fo) | at 1V  | 950 ± 20%   | Hz   |
| Frequency Range         |  | Fo ~ 10000  | Hz   |
| Buzzer & Rattles        | not be audible at sine wave between Fo ~ 20KHz | 2           | V    |
| Operating Temperature   |  | -30 ~ 70    | °C   |
| Magnet                  |  | Nd-Fe-B     |      |
| Frame Material          |  | PBT         |      |
| Cone Material           |  | Mylar (PEI) |      |
| Weight                  |  | 2.1         | g    |

**MECHANICAL DRAWING**

Dimensions in mm

Tolerance ±0.3mm Except Specified



**Micro Speaker**

Model: OSR17R-4.7F0.5W8A

**FREQUENCY RESPONSE CURVE**

