

Micro Speaker

Model: OSR1813EA-2.5TB0.7W8A



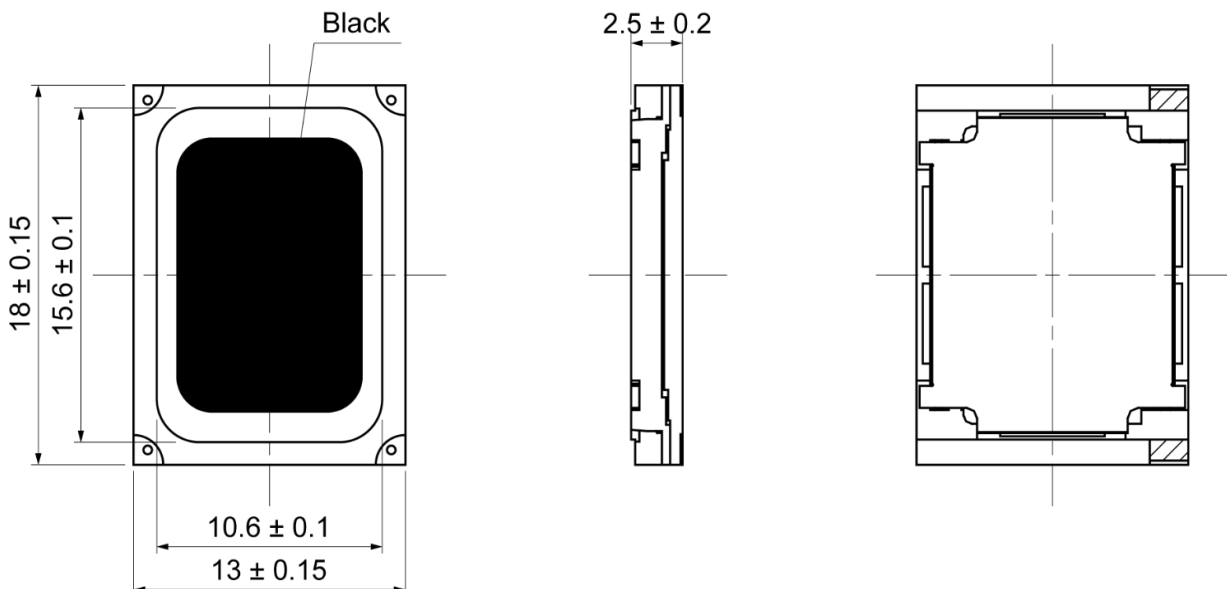
ELECTRICAL SPECIFICATIONS

	Condition	Parameter	Unit
Sound Pressure Level	at 0.7W, 10cm [at 2.0KHz] in 1cc box	93 ± 3	dB
Impedance	at 2.37V, 2000Hz	8 ± 15%	Ω
Rated Input Power		0.7	W
Max Input Power		1	W
Resonant Frequency (Fo)	at 2.37V, 10cm, in 1cc box	800 ± 20%	Hz
Frequency Range		500 ~ 10000	Hz
Buzzer & Rattles	not be audible at sine wave between 500 ~ 10KHz	2.37	V
Operating Temperature		-20 ~ 70	°C
Magnet		Nd-Fe-B	
Frame Material		PPA	
Cone Material		PEEK	
Weight		2	g

MECHANICAL DRAWING

Dimensions in mm

Tolerance ±0.2mm Except Specified



Micro Speaker

Model: OSR1813EA-2.5TB0.7W8A

FREQUENCY RESPONSE CURVE

Testing Condition: 2.37Vrms / 10cm / 1cc box

