

**Micro Speaker**

**Model: OSR18R-3.8M0.1W8A**



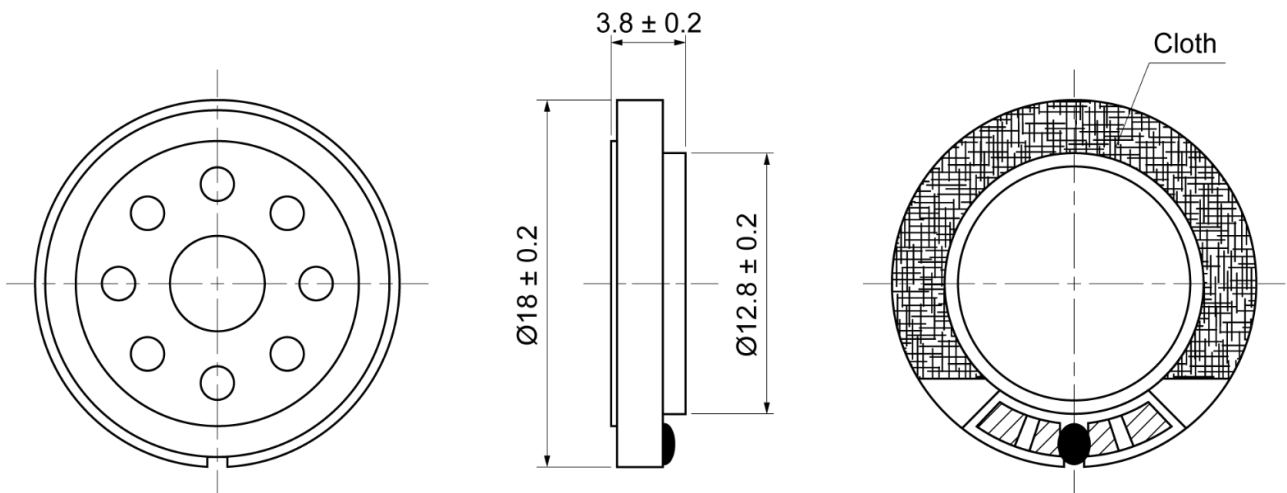
**ELECTRICAL SPECIFICATIONS**

	Condition	Parameter	Unit
Sound Pressure Level	at 0.1W, 10cm [at 0.8, 1.0, 1.2, 1.5 KHz]	88 ± 3	dB
Impedance	at 1V, 1KHz	8 ± 15%	Ω
Rated Input Power		0.1	W
Max Input Power		0.2	W
Resonant Frequency (Fo)	at 1V	900 ± 20%	Hz
Frequency Range		Fo ~ 20000	Hz
Buzzer & Rattles	not be audible at sine wave between Fo ~ 20KHz	0.89	V
Operating Temperature		-20 ~ 60	°C
Magnet		Nd-Fe-B	
Frame Material		PBT	
Cone Material		Mylar (PET)	
Weight		2	g

**MECHANICAL DRAWING**

Dimensions in mm

Tolerance ±0.3mm Except Specified



**Micro Speaker**

**Model: OSR18R-3.8M0.1W8A**

**FREQUENCY RESPONSE CURVE**

