

Micro Speaker

Model: OSR18R-5.5B1.0W8A



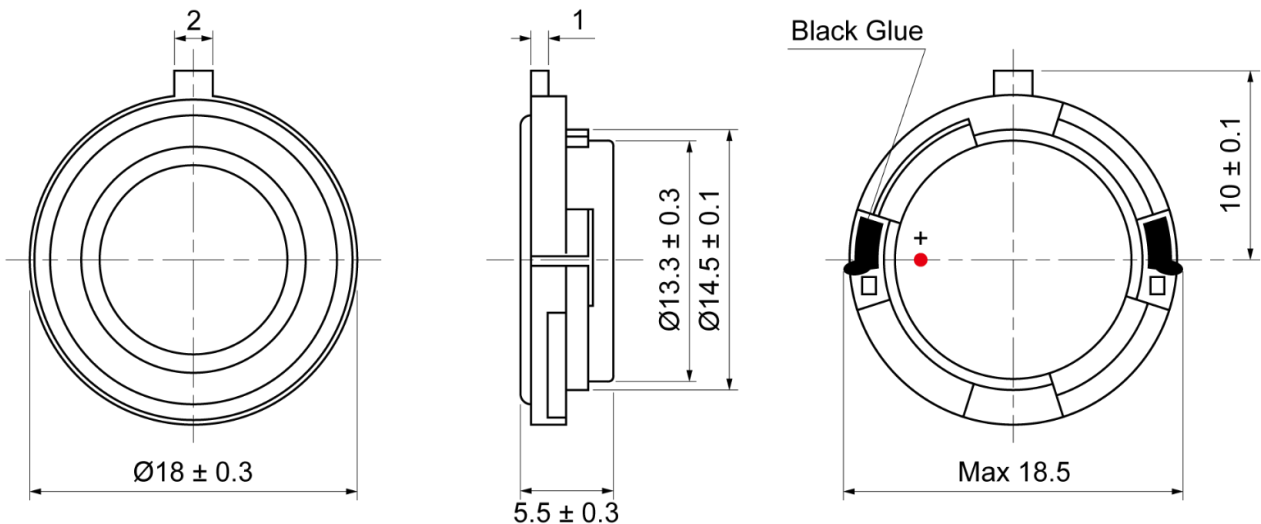
ELECTRICAL SPECIFICATIONS

	Condition	Parameter	Unit
Sound Pressure Level	at 0.1W, 10cm [at 0.8, 1.0, 1.2, 1.5 KHz]	87 ± 3	dB
Impedance	at 1V, 1KHz	8 ± 15%	Ω
Rated Input Power		1	W
Max Input Power		2	W
Resonant Frequency (Fo)	at 1V	850 ± 20%	Hz
Frequency Range		200 ~ 20000	Hz
Buzzer & Rattles	not be audible at sine wave between 200 ~ 20KHz	2.83	V
Operating Temperature		-20 ~ 55	°C
Magnet		Nd-Fe-B	
Frame Material		LCP	
Cone Material		PU+PI	
Weight		8	g

MECHANICAL DRAWING

Dimensions in mm

Tolerance ±0.3mm Except Specified



Micro Speaker

Model: OSR18R-5.5B1.0W8A

FREQUENCY RESPONSE CURVE

