

Micro Speaker

Model: OSR19R-6.4F1.0W8A



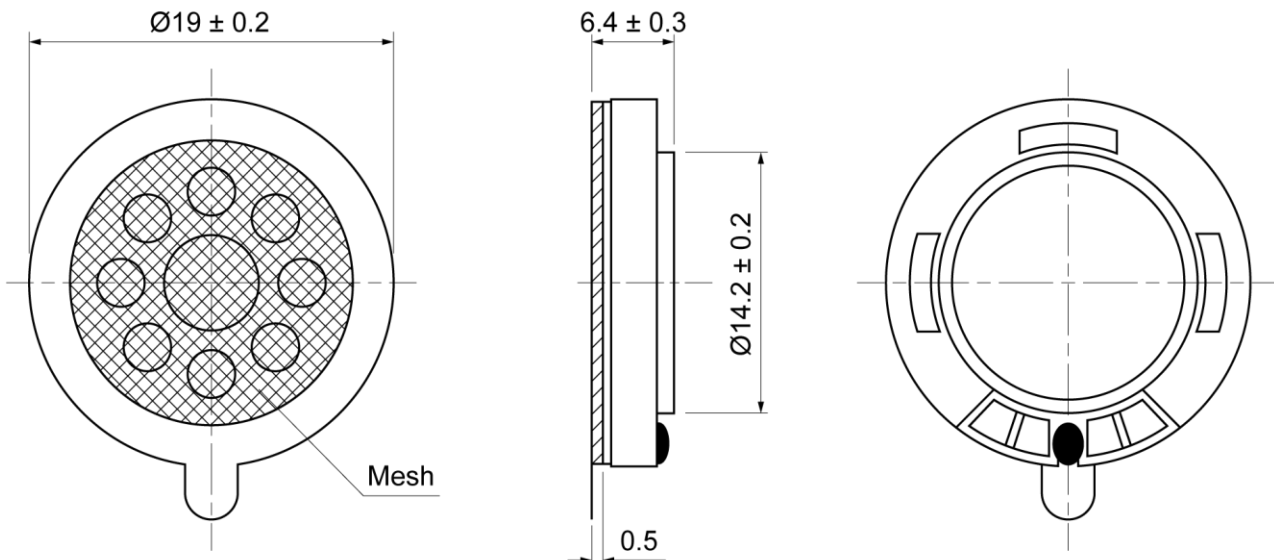
ELECTRICAL SPECIFICATIONS

	Condition	Parameter	Unit
Sound Pressure Level	at 0.5W, 10cm [at 0.8, 1.0, 1.2, 1.5 KHz]	90 ± 3	dB
Impedance	at 1V, 1KHz	8 ± 15%	Ω
Rated Input Power		1	W
Max Input Power		1.5	W
Resonant Frequency (Fo)	at 1V	700 ± 20%	Hz
Frequency Range		Fo ~ 20000	Hz
Buzzer & Rattles	not be audible at sine wave between Fo ~ 5KHz	2.83	V
Operating Temperature		-20 ~ 60	°C
Magnet		Nd-Fe-B	
Frame Material		ABS	
Cone Material		Mylar (PEN)	
Weight		3	g

MECHANICAL DRAWING

Dimensions in mm

Tolerance ±0.3mm Except Specified



Micro Speaker

Model: OSR19R-6.4F1.0W8A

FREQUENCY RESPONSE CURVE

