

Micro Speaker

Model: OSR2010E-2.9TB1.0W8A



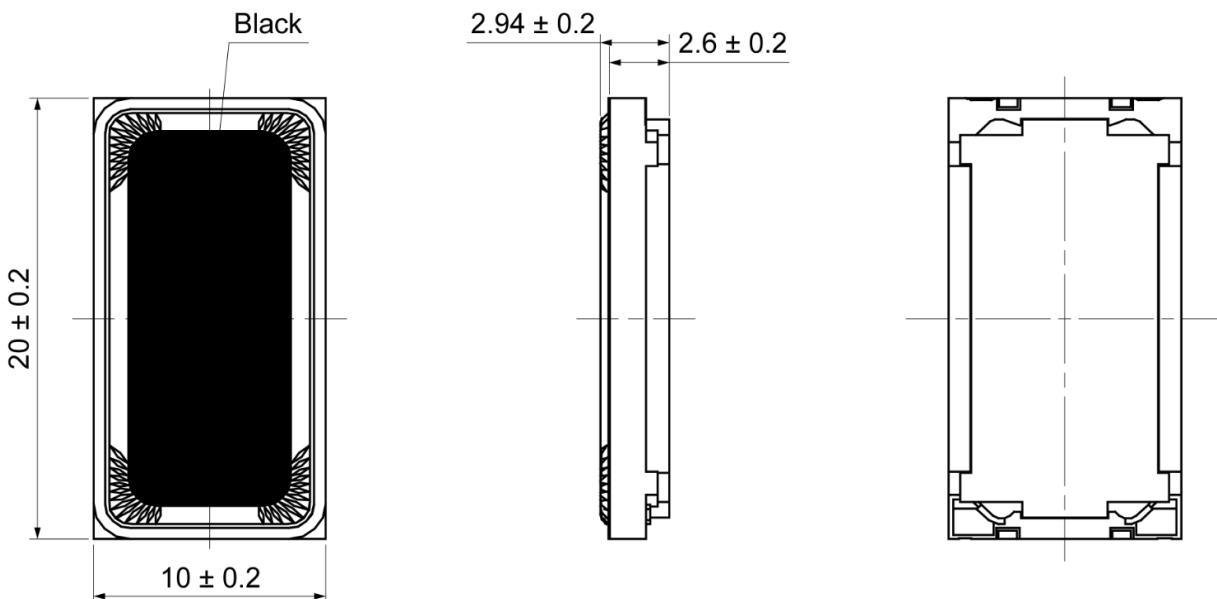
ELECTRICAL SPECIFICATIONS

	Condition	Parameter	Unit
Sound Pressure Level	at 1W, 10cm [at 2.0KHz] in 1.5cc box	94 ± 3	dB
Impedance	at 2.83V, 2000Hz	8 ± 15%	Ω
Rated Input Power		1	W
Max Input Power		1.5	W
Resonant Frequency (Fo)	at 2.83V, 10cm, in 1.5cc box	900 ± 20%	Hz
Frequency Range		Fo ~ 20000	Hz
Buzzer & Rattles	not be audible at sine wave between 200 ~ 2KHz	2.83	V
Operating Temperature		-20 ~ 70	°C
Magnet		Nd-Fe-B	
Frame Material		PBT	
Cone Material		PEEK	
Weight		2	g

MECHANICAL DRAWING

Dimensions in mm

Tolerance ±0.2mm Except Specified



Micro Speaker

Model: OSR2010E-2.9TB1.0W8A

FREQUENCY RESPONSE CURVE

Testing Condition: 2.83Vrms / 10cm / 1.5cc box

