

**Micro Speaker**

**Model: OSR2010E-2.9TB1.5W4.2A**



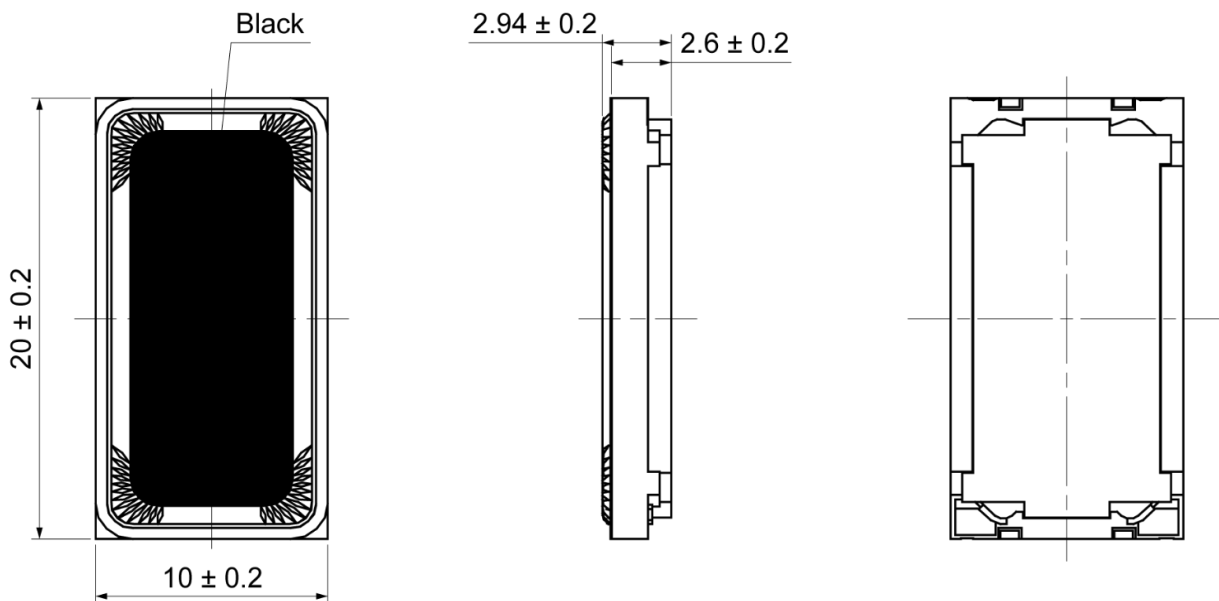
**ELECTRICAL SPECIFICATIONS**

	Condition	Parameter	Unit
Sound Pressure Level	at 0.95W, 10cm [at 0.8, 1.0, 1.5, 2.0KHz] in 1.5cc box	94 ± 3	dB
Impedance	at 2V, 2000Hz	4.2 ± 20%	Ω
Rated Input Power		1.5	W
Max Input Power		1.7	W
Resonant Frequency (Fo)	at 2V, 10cm, in 1.5cc box	900 ± 20%	Hz
Frequency Range		Fo ~ 20000	Hz
Buzzer & Rattles	not be audible at sine wave between 200 ~ 5KHz	2.5	V
Operating Temperature		-20 ~ 70	°C
Magnet		Nd-Fe-B	
Frame Material		PPA	
Cone Material		PEEK	
Weight		2	g

**MECHANICAL DRAWING**

Dimensions in mm

Tolerance ±0.2mm Except Specified



**Micro Speaker**

**Model: OSR2010E-2.9TB1.5W4.2A**

**FREQUENCY RESPONSE CURVE**

Testing Condition: 2.0Vrms / 10cm / 1.5cc box

