

**Micro Speaker**

**Model: OSR2114E-3.7TB2.0W8A**



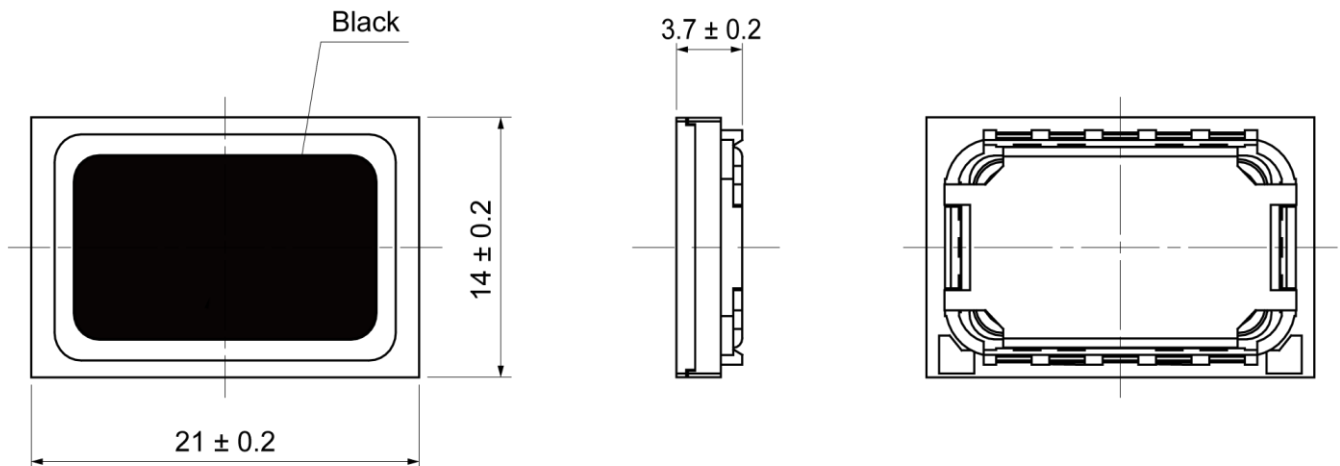
**ELECTRICAL SPECIFICATIONS**

	Condition	Parameter	Unit
Sound Pressure Level	at 2W, 10cm [at 1.0, 1.5, 2.0KHz] in 1cc box	106 ± 3	dB
Impedance	at 4V, 2000Hz	8 ± 15%	Ω
Rated Input Power		2	W
Max Input Power		2.2	W
Resonant Frequency (Fo)	at 4V, 10cm, in 1cc box	1100 ± 20%	Hz
Frequency Range		Fo ~ 20000	Hz
Buzzer & Rattles	not be audible at sine wave between 200 ~ 2KHz	4	V
Operating Temperature		-20 ~ 60	°C
Magnet		Nd-Fe-B	
Frame Material		PPA	
Cone Material		PEEK	
Weight		3.5	g

**MECHANICAL DRAWING**

Dimensions in mm

Tolerance ±0.2mm Except Specified



**Micro Speaker**

**Model: OSR2114E-3.7TB2.0W8A**

**FREQUENCY RESPONSE CURVE**

Testing Condition: 4.0Vrms / 10cm / 1cc box

