

**Micro Speaker**

**Model: OSR2415V-4.6F1.0W8A-W**



**ELECTRICAL SPECIFICATIONS**

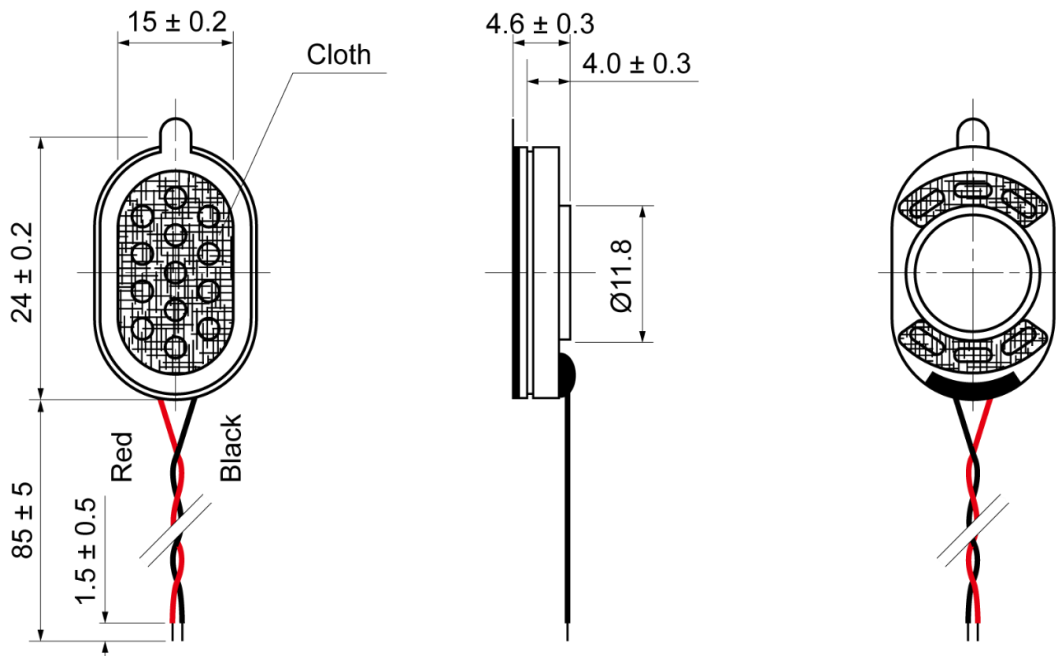
	Condition	Parameter	Unit
Sound Pressure Level	at 0.1W, 10cm [at 0.8, 1.0, 1.2, 1.5KHz]	87 ± 3	dB
Impedance	at 1V, 2000Hz	8 ± 15%	Ω
Rated Input Power		1	W
Max Input Power		1.5	W
Resonant Frequency (Fo)	at 1V	900 ± 20%	Hz
Frequency Range		Fo ~ 20000	Hz
Buzzer & Rattles	not be audible at sine wave between Fo ~ 5KHz	2.83	V
Operating Temperature		-20 ~ 60	°C
Magnet		Nd-Fe-B	
Frame Material		ABS	
Cone Material		Mylar (PET)	
Weight		3	g

**MECHANICAL DRAWING**

Dimensions in mm

Wire: UL1571, AWG32

Tolerance ±0.5mm Except Specified



**Micro Speaker**

**Model: OSR2415V-4.6F1.0W8A-W**

**FREQUENCY RESPONSE CURVE**

---

