

**Micro Speaker**

**Model: OSR2509E-3.0TB1.0W8A**



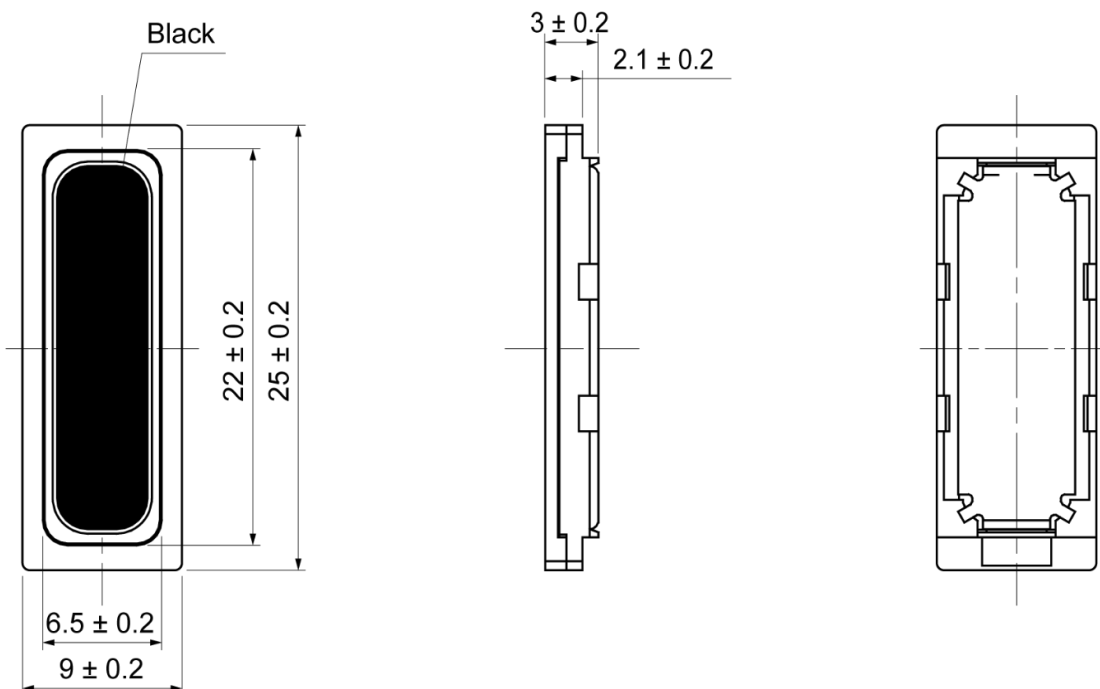
**ELECTRICAL SPECIFICATIONS**

	Condition	Parameter	Unit
Sound Pressure Level	at 1W, 10cm [at 0.8, 1.0, 1.2, 1.5KHz] in 2cc box	93 ± 3	dB
Impedance	at 1V, 3000Hz	8 ± 15%	Ω
Rated Input Power		1	W
Max Input Power		1.5	W
Resonant Frequency (Fo)	at 1V, 10cm, in 2cc box	900 ± 20%	Hz
Frequency Range		Fo ~ 20000	Hz
Buzzer & Rattles	not be audible at sine wave between 400 ~ 5KHz	2.83	V
Operating Temperature		-30 ~ 70	°C
Magnet		Nd-Fe-B	
Frame Material		Plastic	
Cone Material		PEEK	
Weight		3	g

**MECHANICAL DRAWING**

Dimensions in mm

Tolerance ±0.2mm Except Specified



**Micro Speaker**

**Model: OSR2509E-3.0TB1.0W8A**

**FREQUENCY RESPONSE CURVE**

Testing Condition: 2.83Vrms / 10cm / 2cc box

