

**Micro Speaker**

**Model: OSR2514E-5.0P1.0W4A**



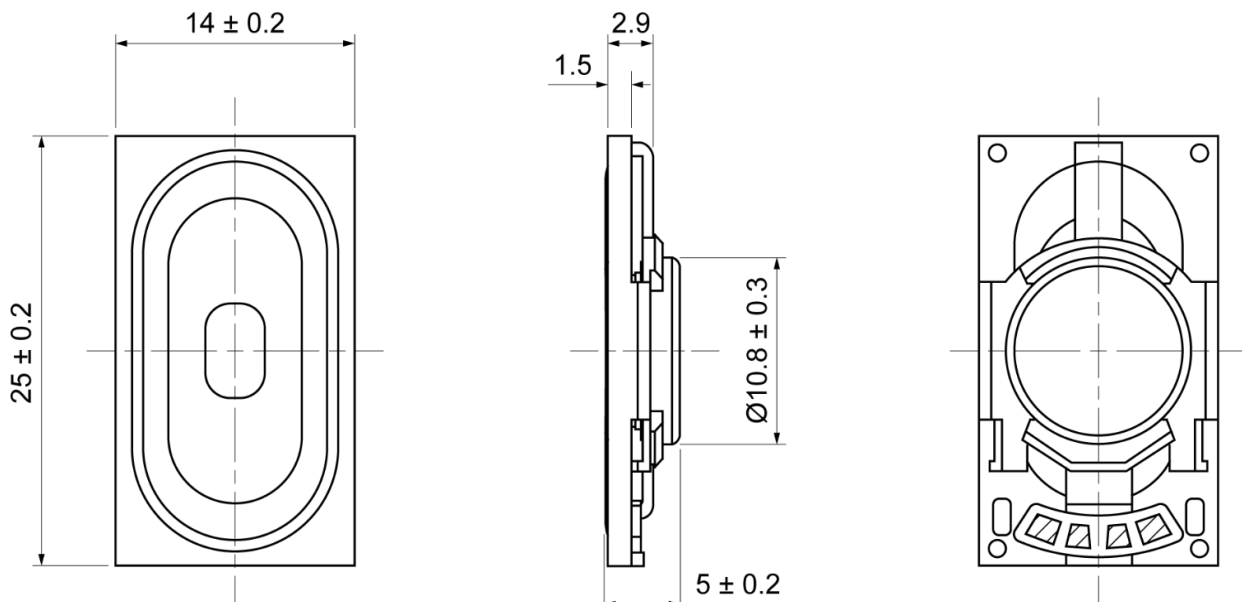
**ELECTRICAL SPECIFICATIONS**

	Condition	Parameter	Unit
Sound Pressure Level	at 1W, 10cm [at 0.8, 1.0, 1.2, 1.5KHz]	94 ± 3	dB
Impedance	at 2V, 2000Hz	4 ± 15%	Ω
Rated Input Power		1	W
Max Input Power		1.5	W
Resonant Frequency (Fo)	at 2V, 10cm	500 ± 20%	Hz
Frequency Range		Fo ~ 5000	Hz
Buzzer & Rattles	not be audible at sine wave between Fo ~ 5KHz	2	V
Operating Temperature		-30 ~ 70	°C
Magnet		Nd-Fe-B	
Frame Material		Plastic	
Cone Material		Paper	
Weight		2.4	g

**MECHANICAL DRAWING**

Dimensions in mm

Tolerance ±0.2mm Except Specified



**Micro Speaker**

**Model: OSR2514E-5.0P1.0W4A**

**FREQUENCY RESPONSE CURVE**

