

Micro Speaker

Model: OSR2514E-5.4C1.0W8A



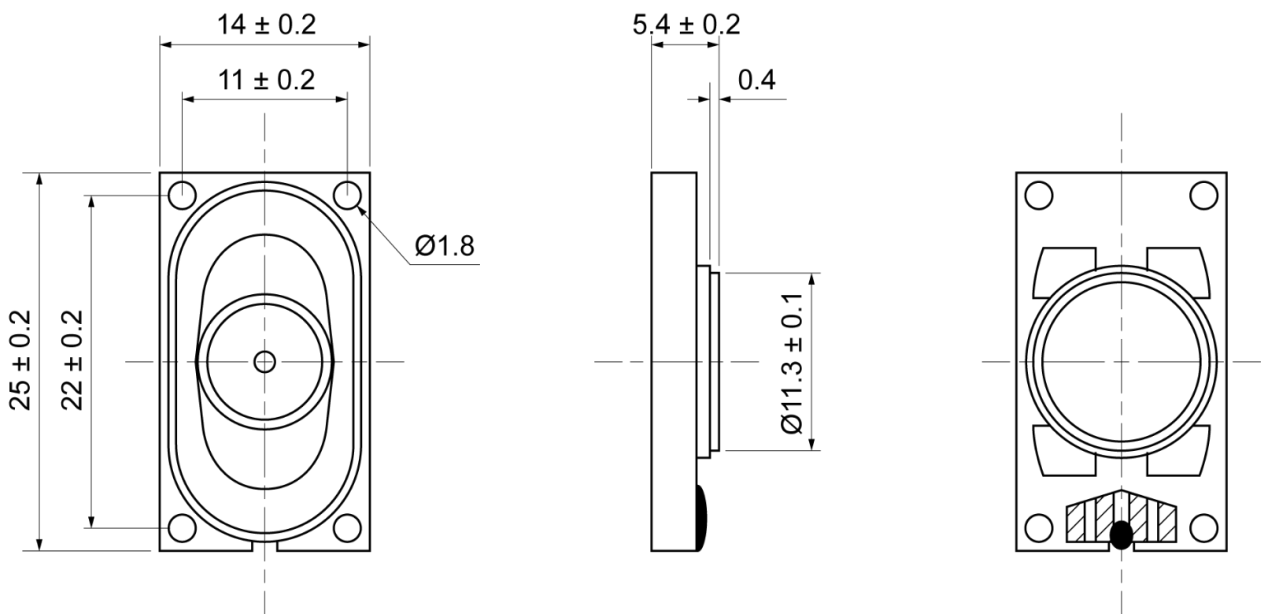
ELECTRICAL SPECIFICATIONS

	Condition	Parameter	Unit
Sound Pressure Level	at 0.1W, 10cm [at 0.8, 1.0, 1.2, 1.5KHz]	89 ± 3	dB
Impedance	at 1V, 1000Hz	8 ± 20%	Ω
Rated Input Power		1	W
Max Input Power		1.5	W
Resonant Frequency (Fo)	at 1V, 10cm	900 ± 20%	Hz
Frequency Range		800 ~ 20000	Hz
Buzzer & Rattles	not be audible at sine wave between 200 ~ 20KHz	2.83	V
Operating Temperature		-20 ~ 70	°C
Magnet		Nd-Fe-B	
Frame Material		ABS	
Cone Material		Cloth	
Weight		2.5	g

MECHANICAL DRAWING

Dimensions in mm

Tolerance ±0.5mm Except Specified

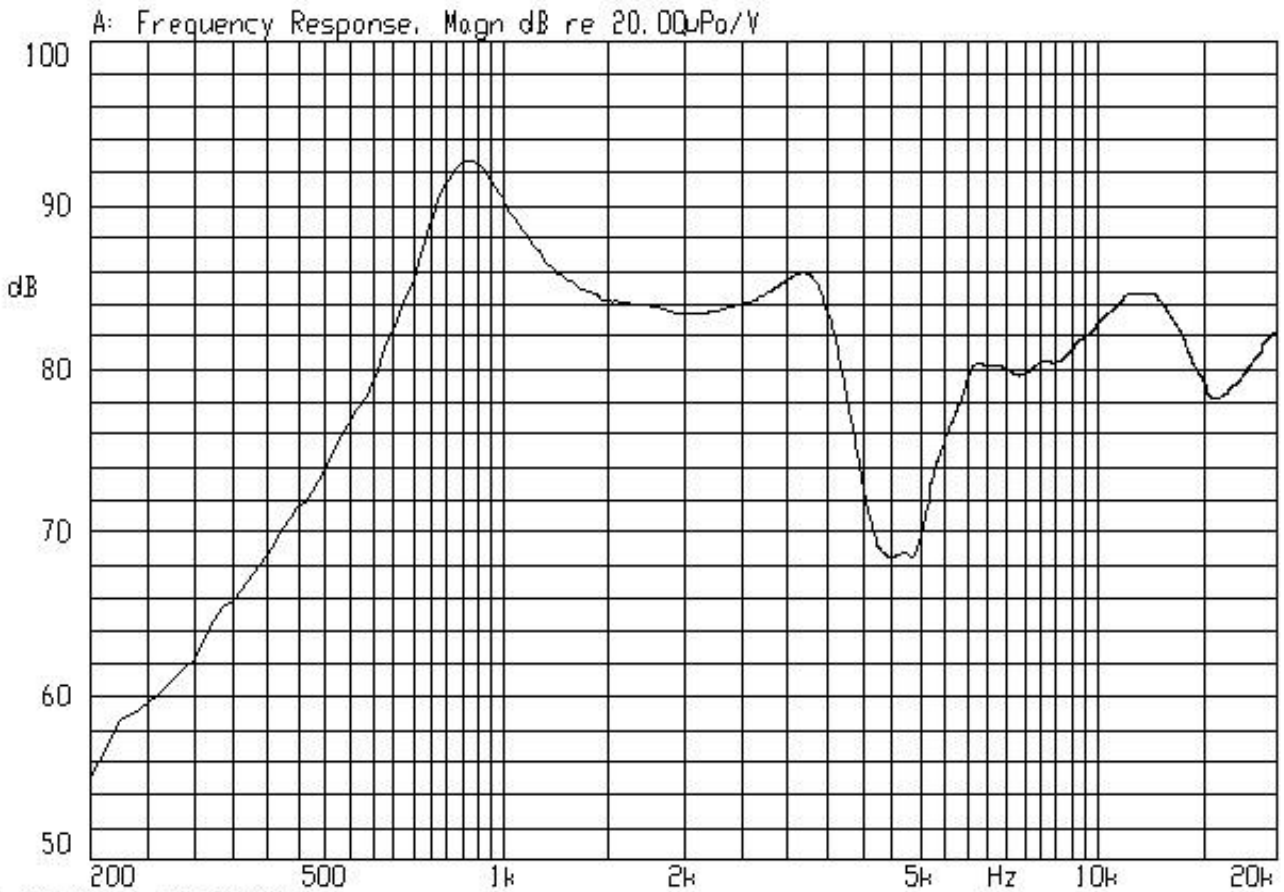


Micro Speaker

Model: OSR2514E-5.4C1.0W8A

FREQUENCY RESPONSE CURVE

YGDA1425B-B 0.1W 0.1M 0.89V



01-JUL-2011 15:23:13

Mode: TSR

