

Micro Speaker

Model: OSR2514EA-5.0TB2.0W4A



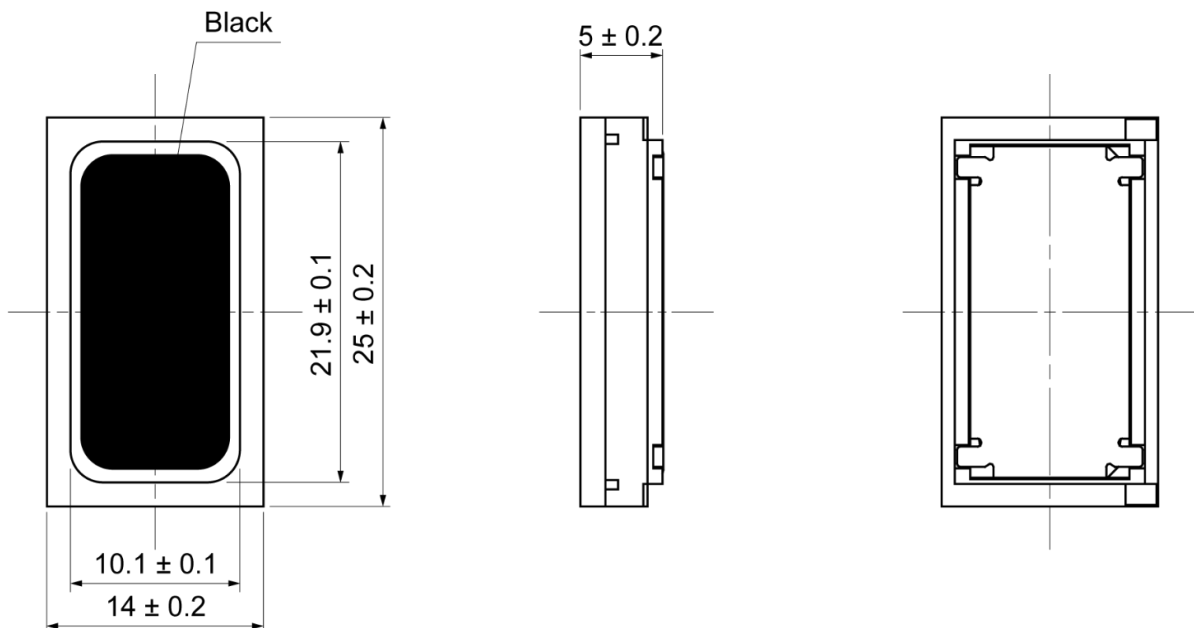
ELECTRICAL SPECIFICATIONS

	Condition	Parameter	Unit
Sound Pressure Level	at 2W, 10cm [at 1.0, 1.2, 1.5, 2.0KHz] free air	100 ± 3	dB
Impedance	at 2.83V, 2000Hz	4 ± 20%	Ω
Rated Input Power		2	W
Max Input Power		2.2	W
Resonant Frequency (Fo)	at 2.83V, 10cm, free air	1000 ± 20%	Hz
Frequency Range		Fo ~ 20000	Hz
Buzzer & Rattles	not be audible at sine wave between 200 ~ 2KHz	2.83	V
Operating Temperature		-20 ~ 70	°C
Magnet		Nd-Fe-B	
Frame Material		PPA	
Cone Material		PEEK	
Weight		2.5	g

MECHANICAL DRAWING

Dimensions in mm

Tolerance ±0.2mm Except Specified



Micro Speaker

Model: OSR2514EA-5.0TB2.0W4A

FREQUENCY RESPONSE CURVE

Testing Condition: 2.83Vrms / 10cm / free air

