

Micro Speaker

Model: OSR2515E-4.8C0.5W8A



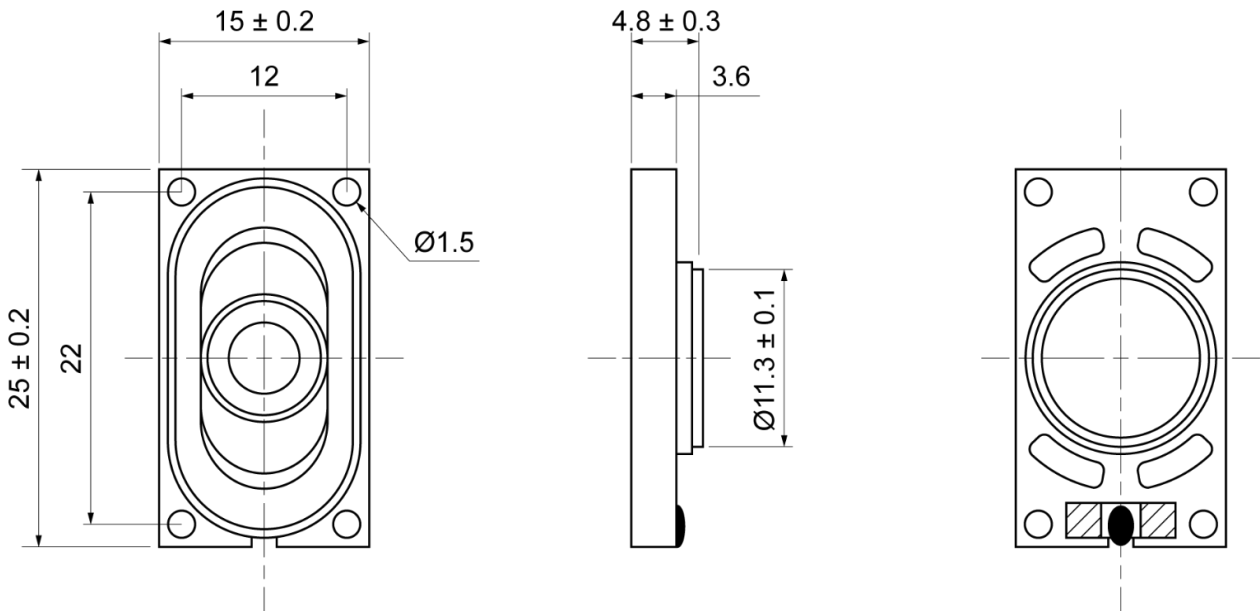
ELECTRICAL SPECIFICATIONS

	Condition	Parameter	Unit
Sound Pressure Level	at 0.5W, 10cm [at 0.6, 0.8, 1.0, 1.2KHz]	92 ± 3	dB
Impedance	at 2V, 1000Hz	8 ± 15%	Ω
Rated Input Power		0.5	W
Max Input Power		1	W
Resonant Frequency (Fo)	at 2V, 10cm	900 ± 20%	Hz
Frequency Range		200 ~ 20000	Hz
Buzzer & Rattles	not be audible at sine wave between 200 ~ 20KHz	2	V
Operating Temperature		-20 ~ 60	°C
Magnet		Nd-Fe-B	
Frame Material		ABS	
Cone Material		Cloth	
Weight		2.1	g

MECHANICAL DRAWING

Dimensions in mm

Tolerance ±0.5mm Except Specified



Micro Speaker

Model: OSR2515E-4.8C0.5W8A

FREQUENCY RESPONSE CURVE

