

Micro Speaker

Model: OSR2516E-5.0C1.0W8A



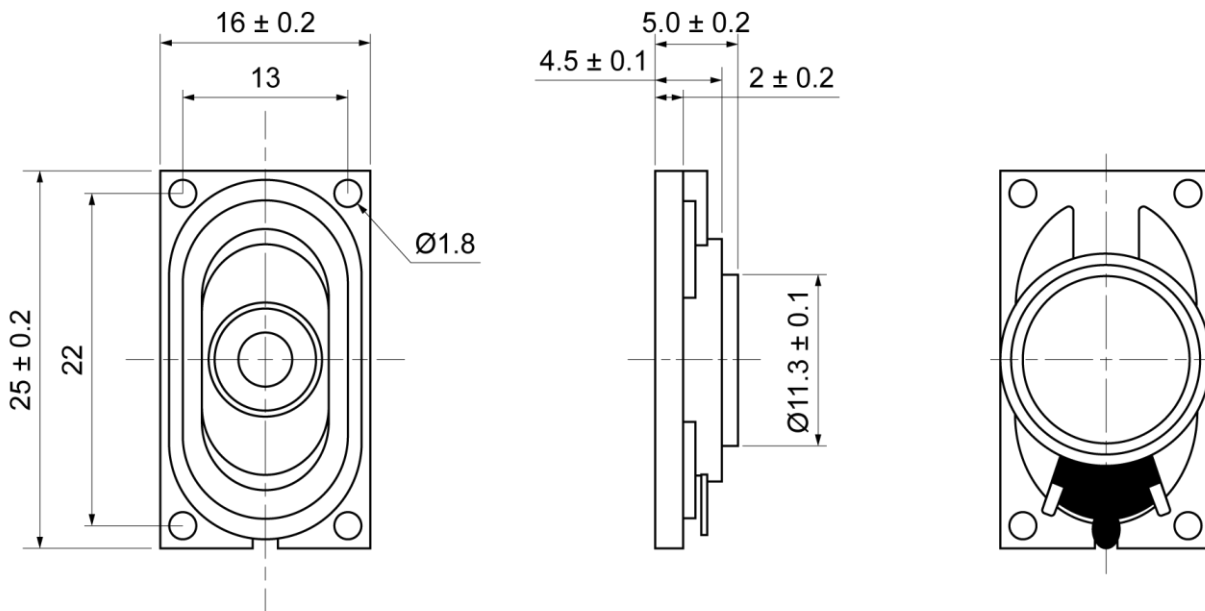
ELECTRICAL SPECIFICATIONS

	Condition	Parameter	Unit
Sound Pressure Level	at 1W, 100cm [at 1.0, 1.2, 1.5, 2.0KHz]	76 ± 3	dB
Impedance	at 1V, 1000Hz	8 ± 20%	Ω
Rated Input Power		1	W
Max Input Power		1.3	W
Resonant Frequency (Fo)	at 1V, 10cm	750 ± 20%	Hz
Frequency Range		200 ~ 20000	Hz
Buzzer & Rattles	not be audible at sine wave between 200 ~ 20KHz	2.83	V
Operating Temperature		-20 ~ 60	°C
Magnet		Nd-Fe-B	
Frame Material		PBT	
Cone Material		Cloth	
Weight		2.5	g

MECHANICAL DRAWING

Dimensions in mm

Tolerance ±0.5mm Except Specified

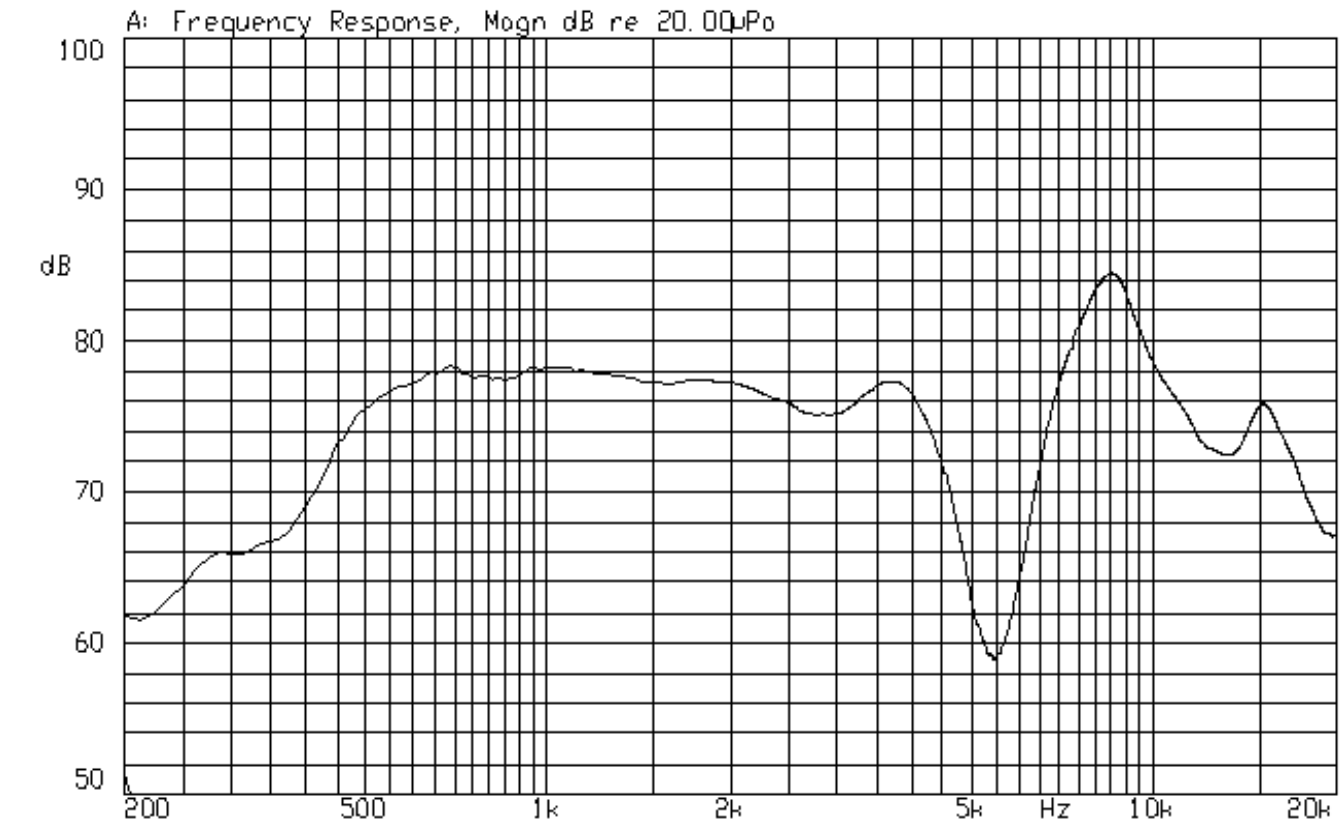


Micro Speaker

Model: OSR2516E-5.0C1.0W8A

FREQUENCY RESPONSE CURVE

YGDA1625B 1W 1m 2.83V



05-DEC-2008 09:24:52

Mode: TSR

