

Micro Speaker

Model: OSR2720E-6.5C1.0W8A



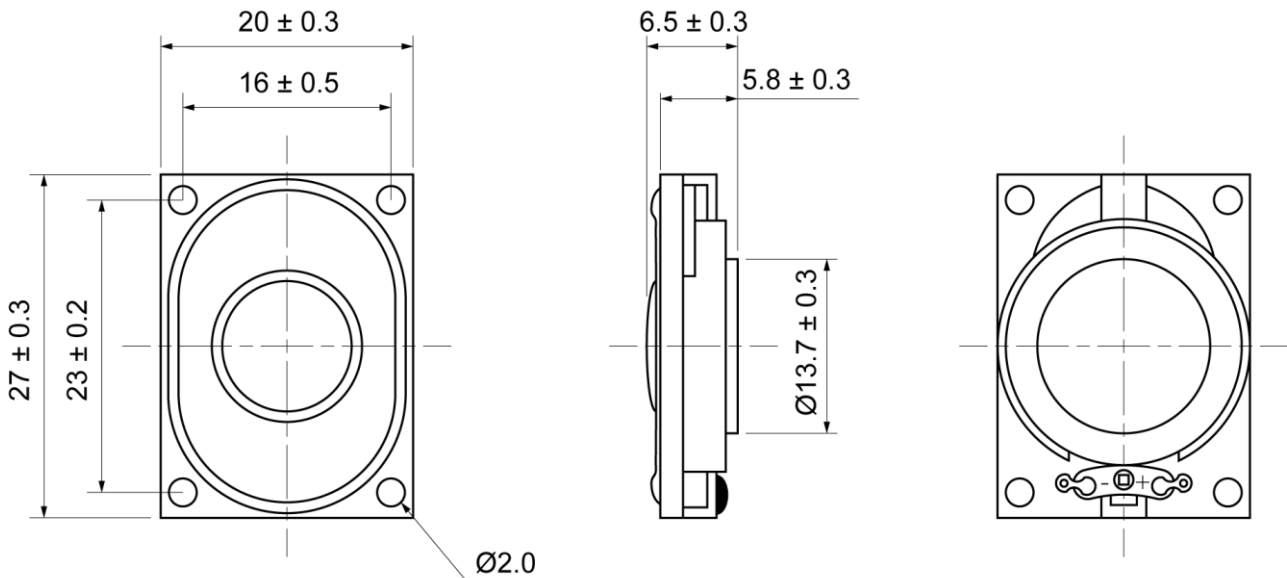
ELECTRICAL SPECIFICATIONS

	Condition	Parameter	Unit
Sound Pressure Level	at 1W, 50cm [at 0.8, 1.0, 1.2, 1.5KHz]	80 ± 3	dB
Impedance	at 1V, 1000Hz	8 ± 15%	Ω
Rated Input Power		1	W
Max Input Power		3	W
Resonant Frequency (Fo)	at 1V	750 ± 20%	Hz
Frequency Range		500 ~ 20000	Hz
Buzzer & Rattles	not be audible at sine wave between 500 ~ 5KHz	2.83	V
Operating Temperature		-20 ~ 60	°C
Magnet		Nd-Fe-B	
Frame Material		ABS	
Cone Material		Cloth	
Weight		4.5	g

MECHANICAL DRAWING

Dimensions in mm

Tolerance ±0.5mm Except Specified



Micro Speaker

Model: OSR2720E-6.5C1.0W8A

FREQUENCY RESPONSE CURVE

