

Micro Speaker

Model: OSR28R-7.5P2.0W8A



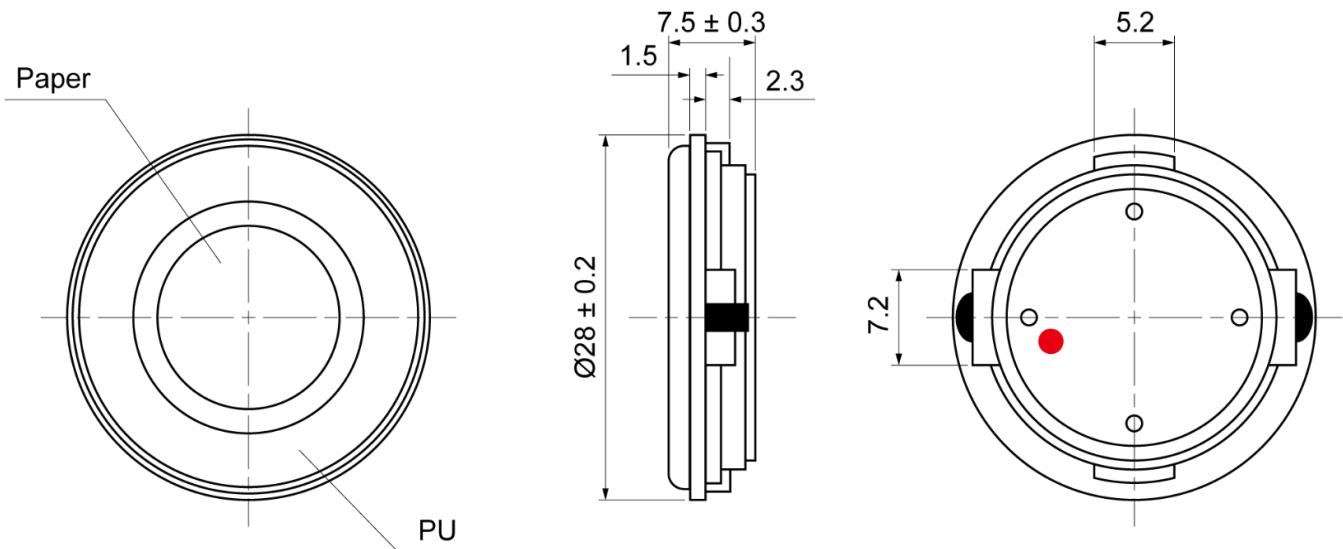
ELECTRICAL SPECIFICATIONS

	Condition	Parameter	Unit
Sound Pressure Level	at 1W, 50cm [at 0.8, 1.0, 1.2, 1.5KHz]	80 ± 3	dB
Impedance	at 1V, 1000Hz	8 ± 15%	Ω
Rated Input Power		2	W
Max Input Power		3	W
Resonant Frequency (Fo)	at 1V, 10cm	250 ± 20%	Hz
Frequency Range		Fo ~ 8000	Hz
Buzzer & Rattles	not be audible at sine wave between Fo ~ 20KHz	4	V
Operating Temperature		-20 ~ 50	°C
Magnet		Nd-Fe-B	
Frame Material		Plastic	
Cone Material		Paper+PU	
Weight		8	g

MECHANICAL DRAWING

Dimensions in mm

Tolerance ±0.5mm Except Specified



Micro Speaker

Model: OSR28R-7.5P2.0W8A

FREQUENCY RESPONSE CURVE

