

Micro Speaker

Model: OSR28R-7.5P3.0W4A



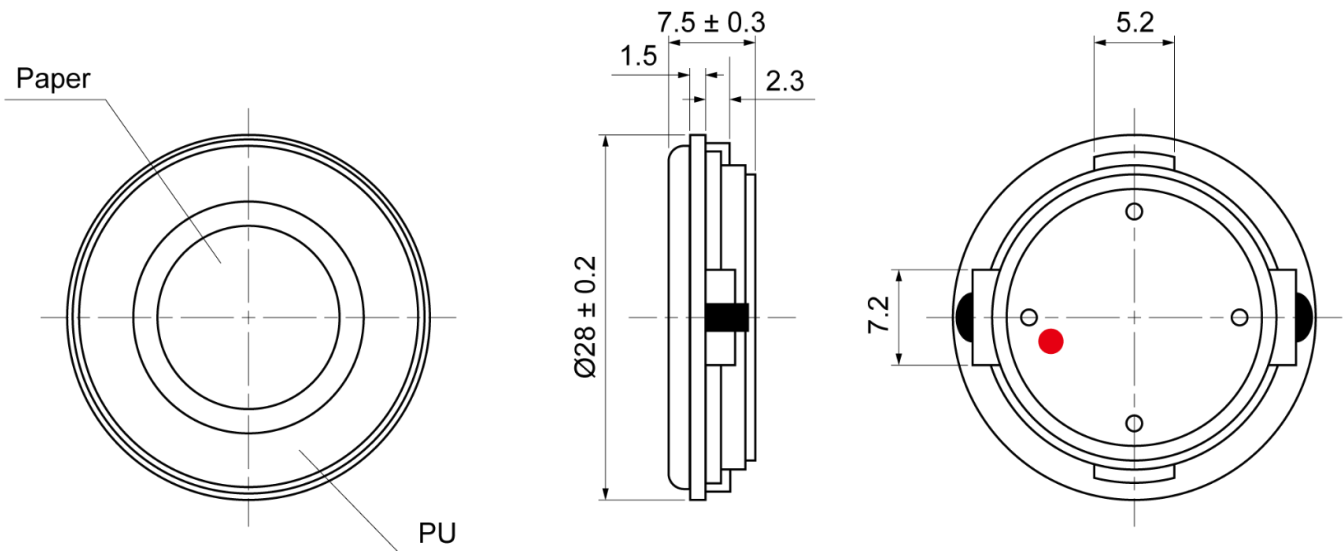
ELECTRICAL SPECIFICATIONS

| | Condition | Parameter | Unit |
|-------------------------|---|------------|------|
| Sound Pressure Level | at 1W, 50cm [at 0.8, 1.0, 1.2, 1.5KHz] | 81 ± 3 | dB |
| Impedance | at 1V, 1000Hz | 4 ± 15% | Ω |
| Rated Input Power | | 3 | W |
| Max Input Power | | 4 | W |
| Resonant Frequency (Fo) | at 1V, 10cm | 350 ± 20% | Hz |
| Frequency Range | | Fo ~ 20000 | Hz |
| Buzzer & Rattles | not be audible at sine wave between Fo ~ 5KHz | 3.46 | V |
| Operating Temperature | | -20 ~ 60 | °C |
| Magnet | | Nd-Fe-B | |
| Frame Material | | Plastic | |
| Cone Material | | Paper+PU | |
| Weight | | 8 | g |

MECHANICAL DRAWING

Dimensions in mm

Tolerance ±0.5mm Except Specified



Micro Speaker

Model: OSR28R-7.5P3.0W4A

FREQUENCY RESPONSE CURVE

