

Micro Speaker

Model: OSR3011E-3.0TB1.5W4A



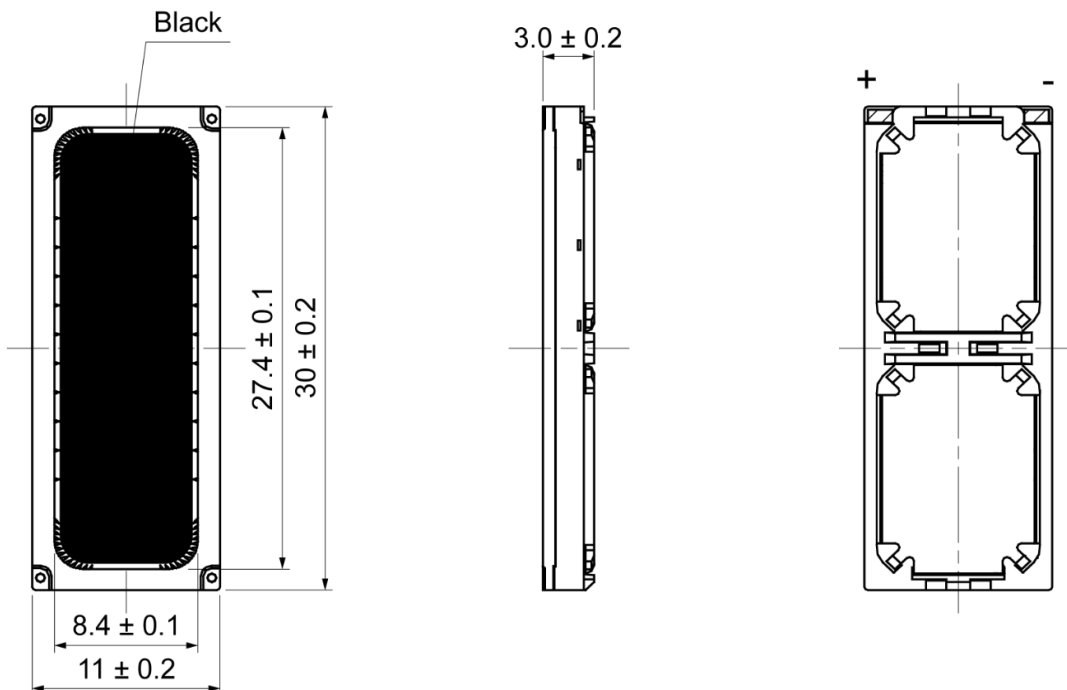
ELECTRICAL SPECIFICATIONS

	Condition	Parameter	Unit
Sound Pressure Level	at 1.5W, 10cm [at 2.0KHz] in 2cc box	95 ± 3	dB
Impedance	at 2.45V, 2000Hz	4 ± 15%	Ω
Rated Input Power		1.5	W
Max Input Power		2	W
Resonant Frequency (Fo)	at 1V, 10cm, in 2cc box	800 ± 20%	Hz
Frequency Range		500 ~ 10000	Hz
Buzzer & Rattles	not be audible at sine wave between 500 ~ 10KHz	2.45	V
Operating Temperature		-20 ~ 70	°C
Magnet		Nd-Fe-B	
Frame Material		PPA	
Cone Material		PEEK	
Weight		3.1	g

MECHANICAL DRAWING

Dimensions in mm

Tolerance ±0.2mm Except Specified



Micro Speaker

Model: OSR3011E-3.0TB1.5W4A

FREQUENCY RESPONSE CURVE

Testing Condition: 2.45Vrms / 10cm / 2cc box

