

Micro Speaker

Model: OSR3020V-4.2M1.0W8A



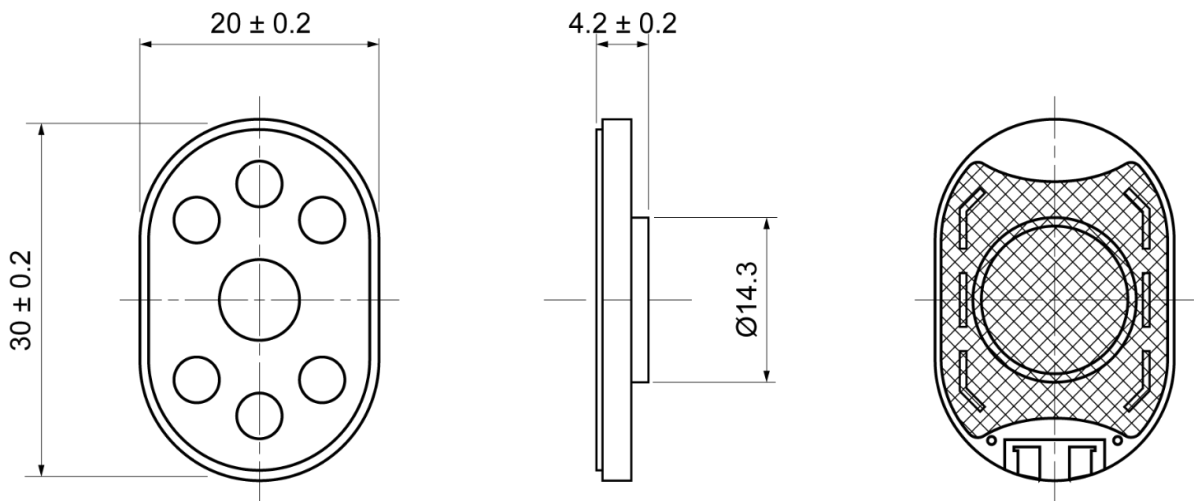
ELECTRICAL SPECIFICATIONS

	Condition	Parameter	Unit
Sound Pressure Level	at 1W, 10cm [at 0.8, 1.0, 1.2, 1.5KHz]	100 ± 3	dB
Impedance	at 1V, 2000Hz	8 ± 15%	Ω
Rated Input Power		1	W
Max Input Power		1.2	W
Resonant Frequency (Fo)	at 1V	800 ± 20%	Hz
Frequency Range		500 ~ 10000	Hz
Buzzer & Rattles	not be audible at sine wave between 500 ~ 10KHz	2.83	V
Operating Temperature		-20 ~ 60	°C
Magnet		Nd-Fe-B	
Frame Material		PBT	
Cone Material		Mylar (PEN)	
Weight		3	g

MECHANICAL DRAWING

Dimensions in mm

Tolerance ±0.5mm Except Specified



Micro Speaker

Model: OSR3020V-4.2M1.0W8A

FREQUENCY RESPONSE CURVE

