

Micro Speaker

Model: OSR3516E-5.8C1.0W4A



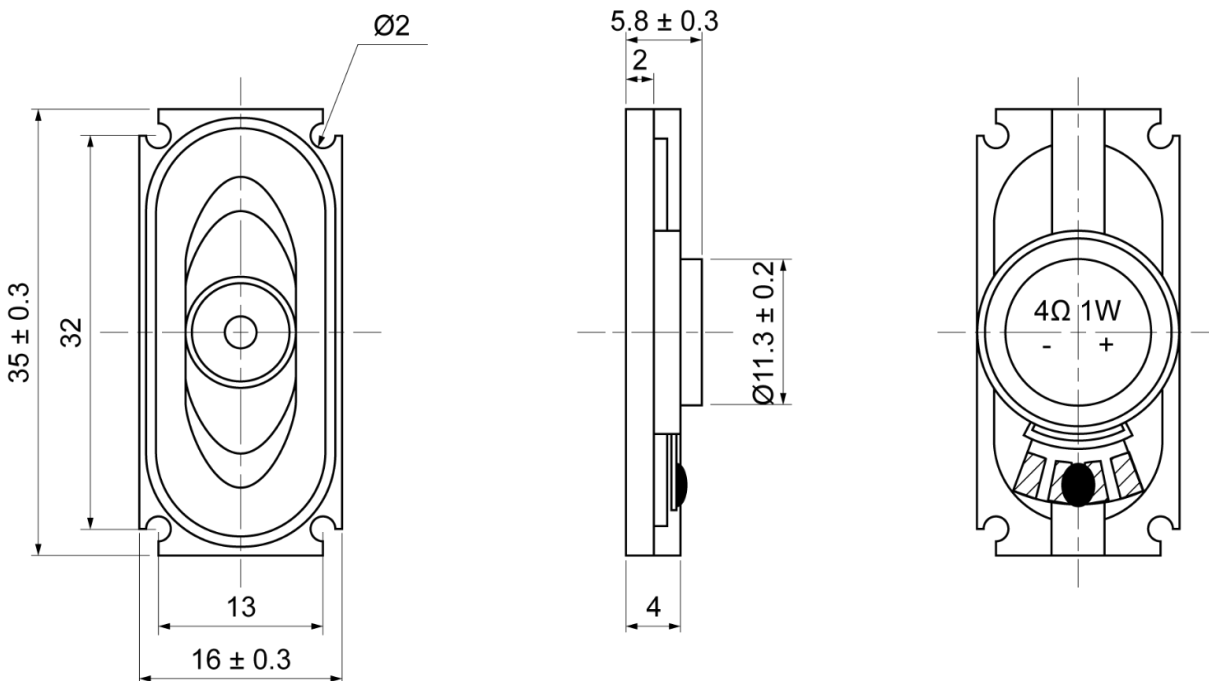
ELECTRICAL SPECIFICATIONS

	Condition	Parameter	Unit
Sound Pressure Level	at 1W, 50cm [at 0.6, 0.8, 1.0, 1.2KHz]	83 ± 3	dB
Impedance	at 1V, 2000Hz	4 ± 15%	Ω
Rated Input Power		1	W
Max Input Power		2	W
Resonant Frequency (Fo)	at 1V, 10cm	670 ± 20%	Hz
Frequency Range		Fo ~ 20000	Hz
Buzzer & Rattles	not be audible at sine wave between Fo ~ 20KHz	2	V
Operating Temperature		-20 ~ 60	°C
Magnet		Nd-Fe-B	
Frame Material		PBT	
Cone Material		Cloth	
Weight		3.5	g

MECHANICAL DRAWING

Dimensions in mm

Tolerance ±0.5mm Except Specified



Micro Speaker

Model: OSR3516E-5.8C1.0W4A

FREQUENCY RESPONSE CURVE

