

Micro Speaker

Model: OSR3520E-6.3B2.0W8A



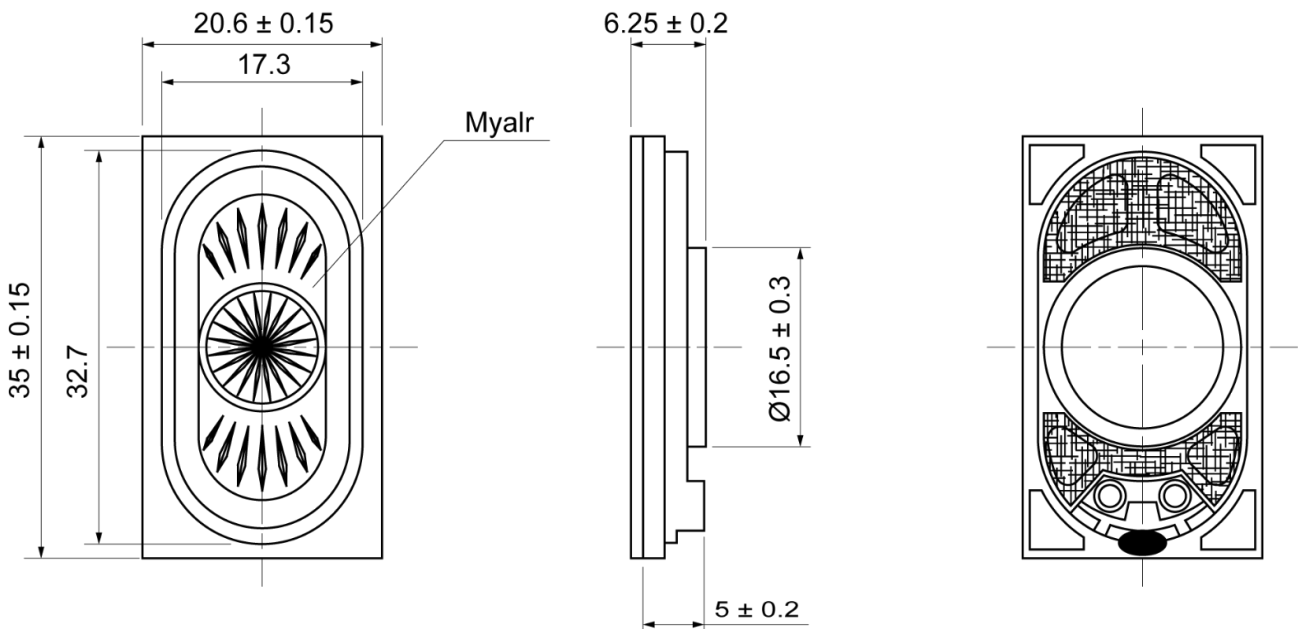
ELECTRICAL SPECIFICATIONS

	Condition	Parameter	Unit
Sound Pressure Level	at 1W, 10cm [at 520, 650, 780Hz]	101 ± 3	dB
Impedance	at 1V, 1000Hz	8 ± 15%	Ω
Rated Input Power		2	W
Max Input Power		2.5	W
Resonant Frequency (Fo)	at 1V	850 ± 20%	Hz
Frequency Range		Fo ~ 20000	Hz
Buzzer & Rattles	not be audible at sine wave between Fo ~ 20KHz	4	V
Operating Temperature		-30 ~ 70	°C
Magnet		Nd-Fe-B	
Frame Material		PBT	
Cone Material		Mylar (PEI)	
Weight		7.6	g

MECHANICAL DRAWING

Dimensions in mm

Tolerance ±0.5mm Except Specified

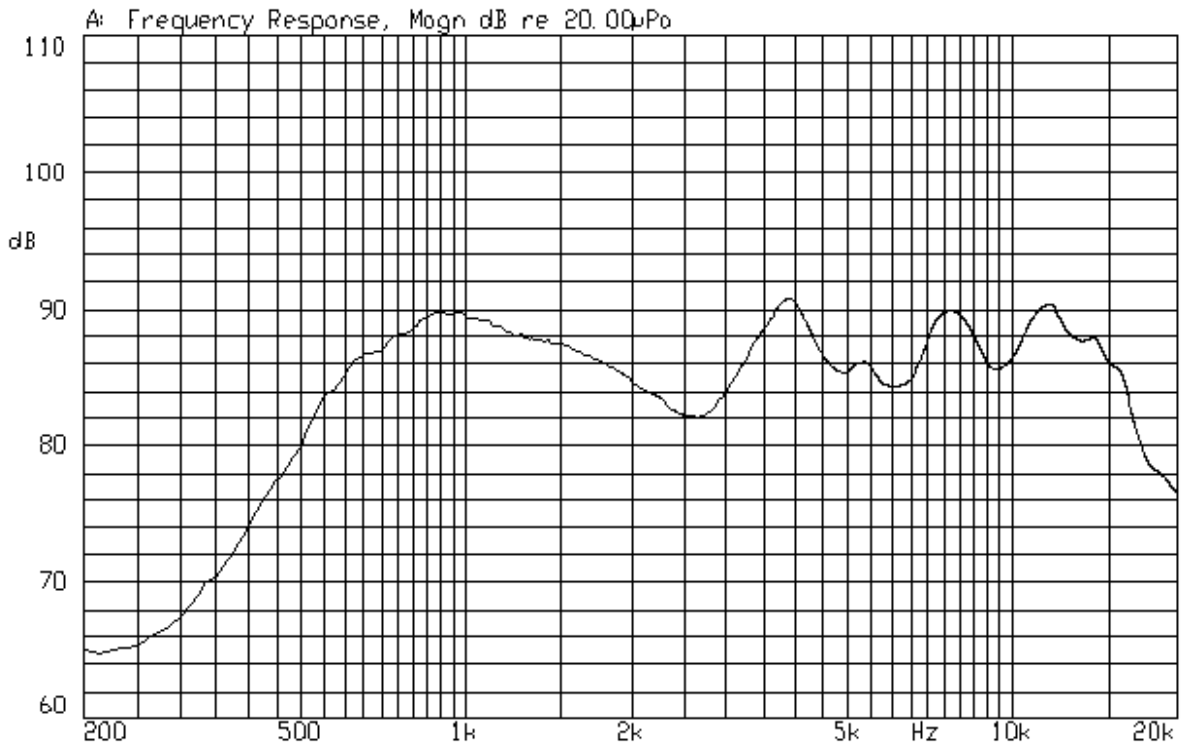


Micro Speaker

Model: OSR3520E-6.3B2.0W8A

FREQUENCY RESPONSE CURVE

YGDA2035L-8 2W 0.5m
X: 782.91Hz Y: 87.22dB ZA: Live Curve TSR fund.



26-JUL-2008 16:29:26

Mode: TSR

