

Micro Speaker

Model: OSR4013E-4.6TB2.0W4A



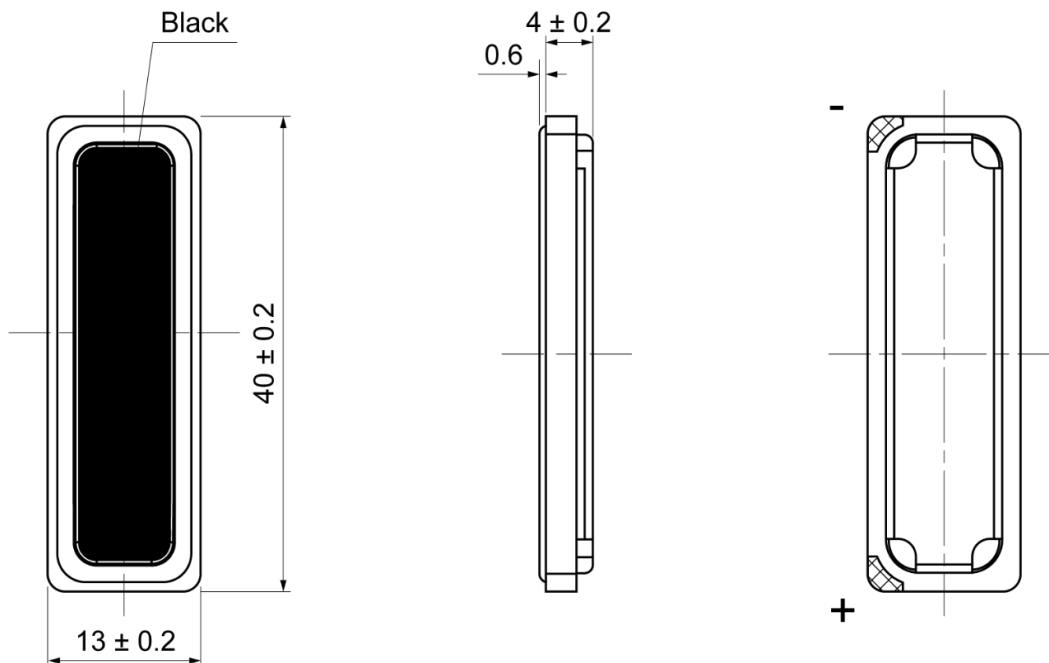
ELECTRICAL SPECIFICATIONS

	Condition	Parameter	Unit
Sound Pressure Level	at 2W, 10cm [at 2.0KHz] in 5cc box	98 ± 3	dB
Impedance	at 2.83V, 2000Hz	4 ± 20%	Ω
Rated Input Power		2	W
Max Input Power		2.5	W
Resonant Frequency (Fo)	at 2.83V, 10cm, in 5cc box	550 ± 20%	Hz
Frequency Range		Fo ~ 20000	Hz
Buzzer & Rattles	not be audible at sine wave between Fo ~ 20KHz	2.83	V
Operating Temperature		-20 ~ 70	°C
Magnet		Nd-Fe-B	
Frame Material		PPA	
Cone Material		PEEK	
Weight		7	g

MECHANICAL DRAWING

Dimensions in mm

Tolerance ±0.2mm Except Specified



Micro Speaker

Model: OSR4013E-4.6TB2.0W4A

FREQUENCY RESPONSE CURVE

Testing Condition: 2.83Vrms / 10cm / 5cc box

