

Micro Speaker

Model: OSR4020E-5.8C2.0W8M-1



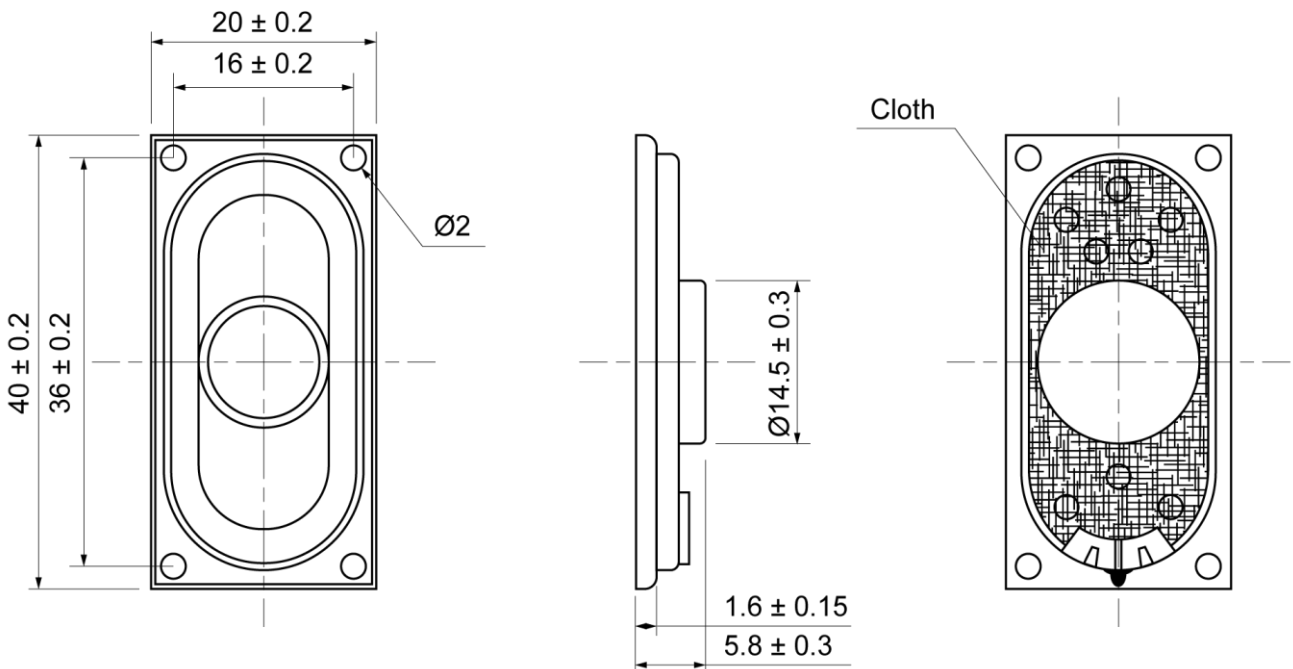
ELECTRICAL SPECIFICATIONS

	Condition	Parameter	Unit
Sound Pressure Level	at 1W, 50cm [at 0.8, 1.0, 1.2, 1.5KHz]	83 ± 3	dB
Impedance	at 1V, 1000Hz	8 ± 15%	Ω
Rated Input Power		2	W
Max Input Power		3	W
Resonant Frequency (Fo)	at 1V	400 ± 20%	Hz
Frequency Range		200 ~ 20000	Hz
Buzzer & Rattles	not be audible at sine wave between 200 ~ 20KHz	4	V
Operating Temperature		-20 ~ 60	°C
Magnet		Nd-Fe-B	
Frame Material		Metal	
Cone Material		Cloth	
Weight		7.6	g

MECHANICAL DRAWING

Dimensions in mm

Tolerance ±0.5mm Except Specified

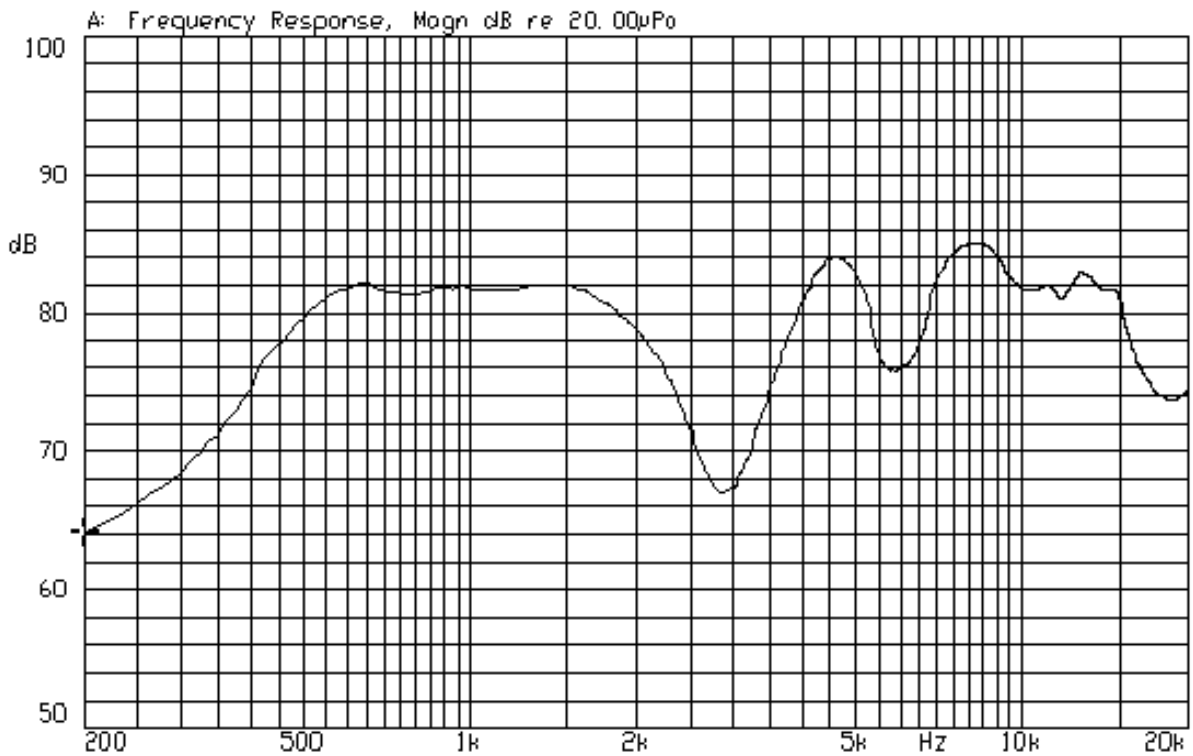


Micro Speaker

Model: OSR4020E-5.8C2.0W8M-1

FREQUENCY RESPONSE CURVE

YGDA2040B-8 1W 0.5m 2.83V
X: 200.00Hz Y: 64.17dB ZA: Live Curve TSR fund.



13-SEP-2008 09:26:54

Mode: TSR

