

**Micro Speaker**

**Model: OSR4028E-12B2.0W4A**



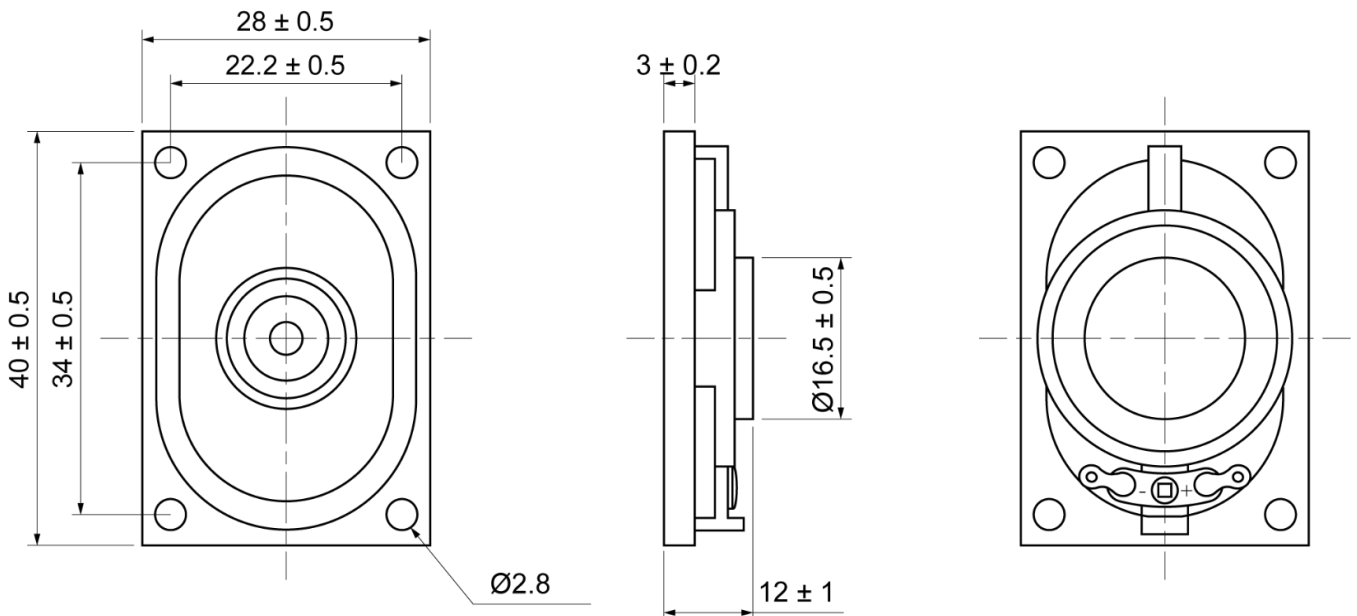
**ELECTRICAL SPECIFICATIONS**

	Condition	Parameter	Unit
Sound Pressure Level	at 0.1W, 10cm [at 1.5, 2.0, 2.5, 3.0KHz]	87 ± 3	dB
Impedance	at 1V, 1000Hz	4 ± 15%	Ω
Rated Input Power		2	W
Max Input Power		3	W
Resonant Frequency (Fo)	at 1V	800 ± 20%	Hz
Frequency Range		Fo ~ 7000	Hz
Buzzer & Rattles	not be audible at sine wave between Fo ~ 7KHz	2.83	V
Operating Temperature		-30 ~ 60	°C
Magnet		Nd-Fe-B	
Frame Material		ABS	
Cone Material		PET (Black)	
Weight		13	g

**MECHANICAL DRAWING**

Dimensions in mm

Tolerance ±0.5mm Except Specified



Micro Speaker

Model: OSR4028E-12B2.0W4A

FREQUENCY RESPONSE CURVE

