

Piezo Transducer (Self Drive)

Model: XPTF2309-35P

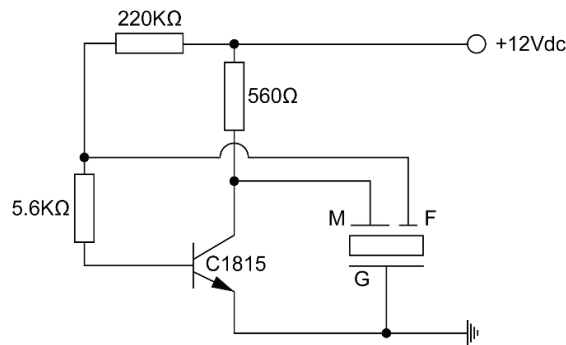


ELECTRICAL SPECIFICATIONS

	Condition	Parameter	Unit
Operating Voltage		3 ~ 20	Vdc
Rated Voltage		12	Vdc
Rated Current	at rated voltage, resonant freq.	Max. 15	mA
Resonant Frequency		3500	Hz
Sound Pressure Level	at 10cm, rated voltage, resonant freq.	Min. 85	dBA
Tone Nature		Single	
Terminal		Pin	
Operating Temperature		-20 ~ +70	°C
Housing Material		ABS	
Weight		2	g

Notes: Parameter applying at recommend driving circuit.

RECOMMENDED DRIVING CIRCUIT



MECHANICAL DRAWING

Dimensions in mm

Tolerance ±0.5mm Except Specified

