

Piezo Transducer (Self Drive)

Model: XPTF3010-27T

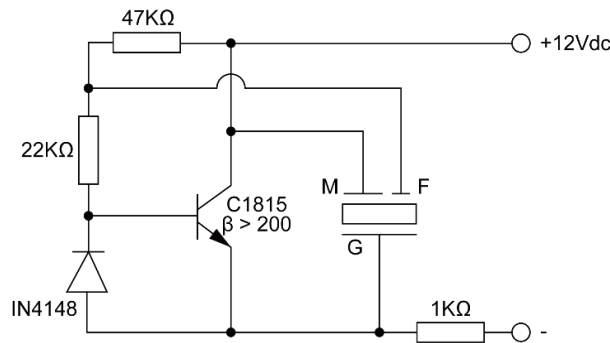


ELECTRICAL SPECIFICATIONS

	Condition	Parameter	Unit
Operating Voltage		3 ~ 24	Vdc
Rated Voltage		12	Vdc
Rated Current	at rated voltage, resonant freq.	Max. 7	mA
Resonant Frequency		2700	Hz
Sound Pressure Level	at 10cm, rated voltage, resonant freq.	Min. 82	dBA
Tone Nature		Single	
Terminal		Plate	
Operating Temperature		-20 ~ +80	°C
Housing Material		Nylon	
Weight		4	g

Notes: Parameter applying at recommend driving circuit.

RECOMMENDED DRIVING CIRCUIT



MECHANICAL DRAWING

Dimensions in mm

Tolerance ±0.5mm Except Specified

